

FEATURES

- 2 × wider sensitive area while maintaining equivalent QE (and gain) at conventional PMTs.

APPLICATIONS

- Spectroscopy
- Environmental monitoring
- Chemiluminescence measurement
- Biomedical analysis



Left: R13096, Right: R3896

Figure 1: Uniformity Area

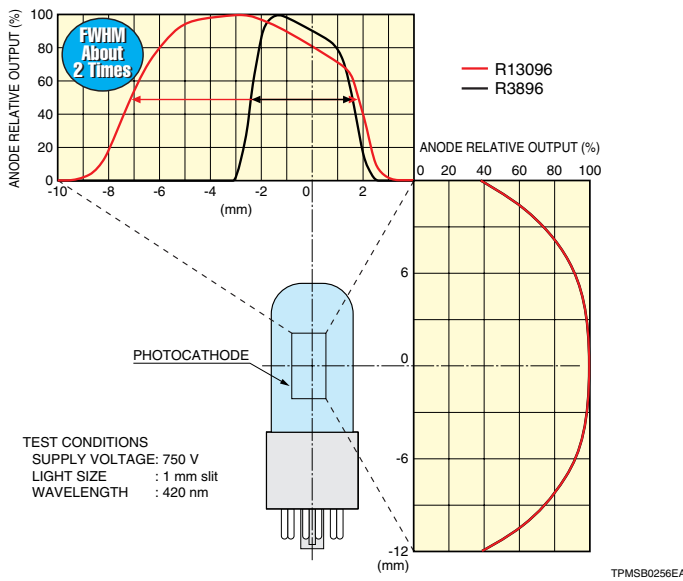


Figure 2: SN Ratio Comparison (Simulation)

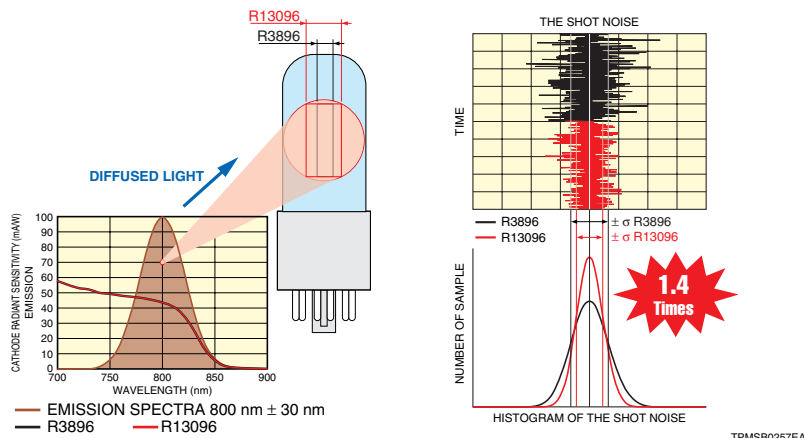
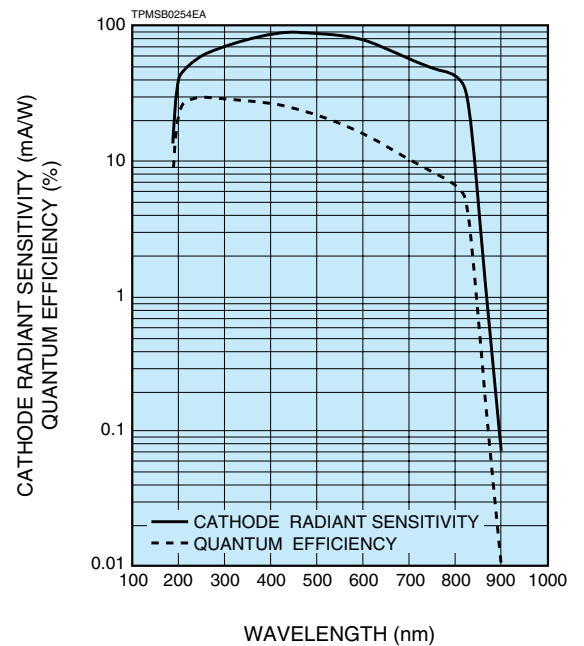


Figure 3: Typical Spectral Response



PHOTOMULTIPLIER TUBE R13096

SPECIFICATIONS

GENERAL

Parameter	Description/Value	Unit
Spectral Response	185 to 900	nm
Wavelength of Maximum Response	450	nm
Photocathode	Material	Multialkali
	Minimum Effective Area	10 × 24
Window Material	UV glass	—
Dynode	Structure	Circular-cage
	Number of Stages	9
Direct Interelectrode Capacitances	Anode to Last Dynode	4
	Anode to All Other Electrodes	6
Base	11-pin base JEDEC No. B11-88	—
Weight	Approx. 45	g
Operating Ambient Temperature	-30 to +50	°C
Storage Temperature	-30 to +50	°C
Suitable Socket	E678-11A (Sold Separately)	—
Suitable Socket Assembly	E717-63 (Sold Separately)	—

MAXIMUM RATINGS (Absolute Maximum Values)

Parameter	Value	Unit
Supply Voltage	Between Anode and Cathode	1250
	Between Anode and Last Dynode	250
Average Anode Current ^A		0.1

NOTES

- A: Averaged over any interval of 30 seconds maximum.
 B: The light source is a tungsten filament lamp operated at a distribution temperature of 2856 K. Supply voltage is 100 V between the cathode and all other electrodes connected together as anode.
 C: Red/White ratio is the quotient of the cathode current measured using a red filter (Toshiba R-68) interposed between the light source and the tube by the cathode current measured with the filter removed under the same conditions as Note B.
 D: The value is cathode output current when a blue filter (Corning CS 5-58 polished to 1/2 stock thickness) is interposed between the light source and the tube under the same condition as Note B.
 E: Measured with the same light source as Note B and with the voltage distribution ratio shown in Table 1 below.

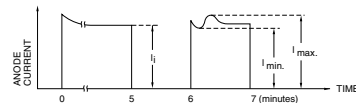
Table 1: Voltage Distribution Ratio

Electrodes	K	Dy1	Dy2	Dy3	Dy4	Dy5	Dy6	Dy7	Dy8	Dy9	P
Ratio	1	1	1	1	1	1	1	1	1	1	1

Supply Voltage: 1000 V, K: Cathode, Dy: Dynode, P: Anode

- F: Measured with the same supply voltage and voltage distribution ratio as Note E after removal of light.
 G: The rise time is the time for the output pulse to rise from 10 % to 90 % of the peak amplitude when the entire photocathode is illuminated by a delta function light pulse.
 H: The electron transit time is the interval between the arrival of delta function light pulse at the entrance window of the tube and the time when the anode output reaches the peak amplitude. In measurement, the whole photocathode is illuminated.
 I: Also called transit time jitter. This is the fluctuation in electron transit time between individual pulses in the signal photoelectron mode, and may be defined as the FWHM of the frequency distribution of electron transit times
 J: Hysteresis is temporary instability in anode current after light and voltage are applied.

$$\text{Hysteresis} = \frac{I_{\text{max.}} - I_{\text{min.}}}{I_i} \times 100 (\%)$$



TPMSB0002EA

(1) Light Hysteresis

The tube is operated at 750 V with an anode current of 1 μA for 5 minutes. The light is then removed from the tube for a minute. The tube is then re-illuminated by the previous light level for a minute to measure the variation.

(2) Voltage Hysteresis

The tube is operated at 300 V with an anode current of 0.1 μA for 5 minutes. The light is then removed from the tube and the supply voltage is quickly increased to 800 V. After a minute, the supply voltage is then reduced to the previous value and the tube is re-illuminated for a minute to measure the variation.

CHARACTERISTICS (at 25 °C)

Parameter	Min.	Typ.	Max.	Unit	
Cathode Sensitivity	Quantum Efficiency	at 194 nm	—	21	—
		at 254 nm	—	29	—
		at 450 nm	—	25	—
		at 633 nm	—	14	—
		at 852 nm	—	0.73	—
	Luminous ^B	475	525	—	μA/lm
	Radiant	at 194 nm	—	33	—
		at 254 nm	—	60	—
		at 450 nm	—	90	—
		at 633 nm	—	73	—
at 852 nm		—	5.0	—	
Red/White Ratio ^C	—	0.4	—	—	
Blue Sensitivity Index ^D	—	15	—	—	
Anode Sensitivity	Luminous ^E	3000	5000	—	A/lm
Gain ^E	—	9.5 × 10 ⁶	—	—	
Anode Dark Current ^F (After 30 min Storage in Darkness)	—	20	100	nA	
Time Response	Anode Pulse Rise Time ^G	—	2.2	—	ns
	Electron Transit Time ^H	—	22	—	ns
	Transit Time Spread (T.T.S.) ^I	—	1.2	—	ns
Anode Current Stability ^J	Light Hysteresis	—	0.5	—	%
	Voltage Hysteresis	—	1.0	—	%

Figure 4: Typical Temperature Characteristics of Dark Current (at 1000 V, after 30 min storage in darkness)

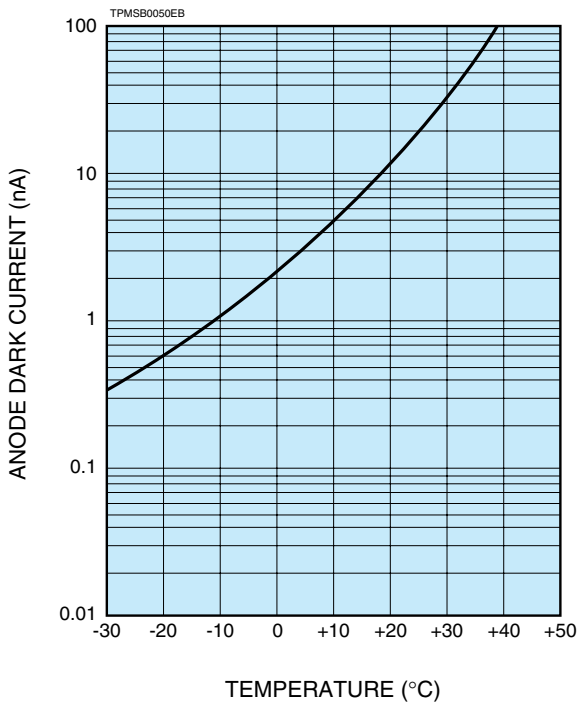


Figure 5: Anode Luminous Sensitivity and Gain Characteristics

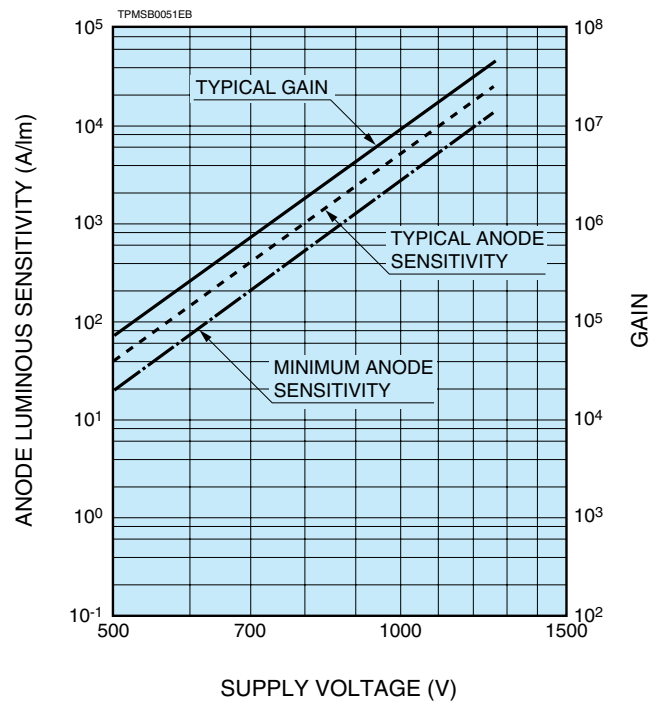


Figure 6: Typical Time Response

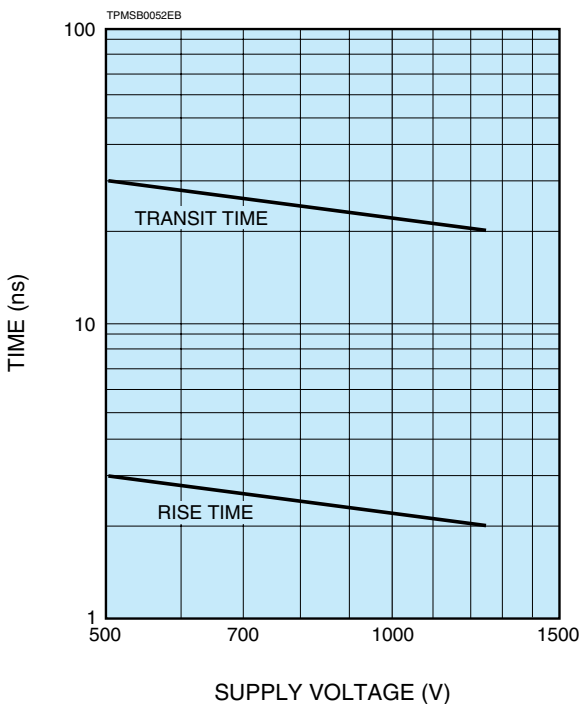
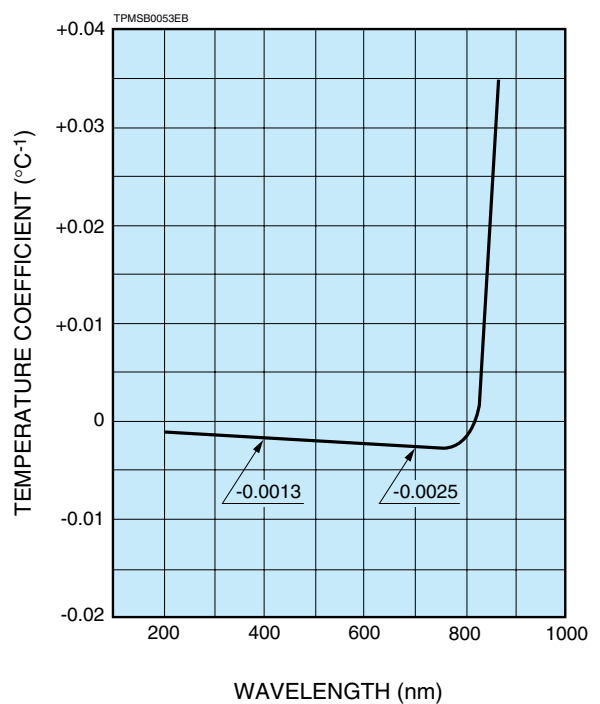


Figure 7: Typical Temperature Coefficient of Anode Sensitivity



PHOTOMULTIPLIER TUBE R13096

Figure 8: Dimensional Outline and Basing Diagram (Unit: mm)

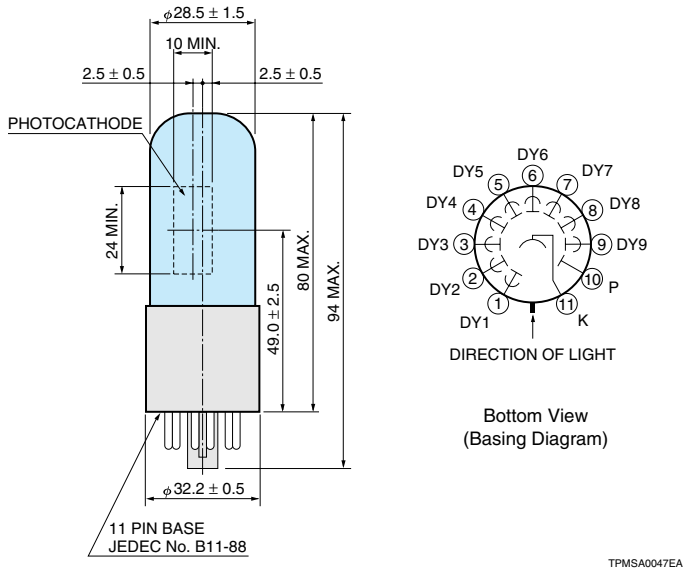
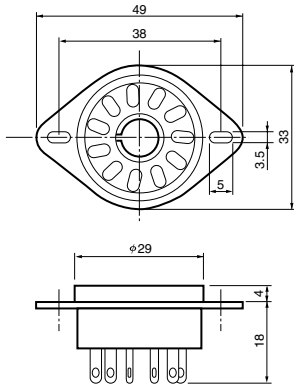
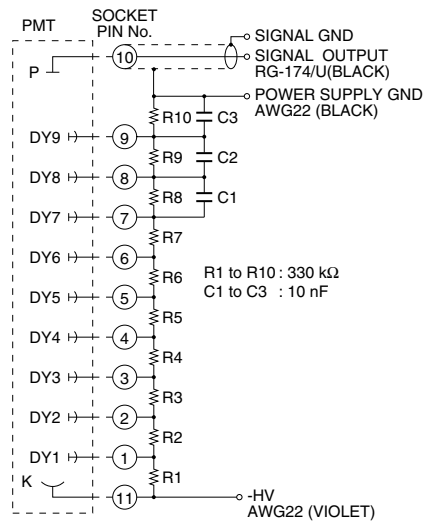
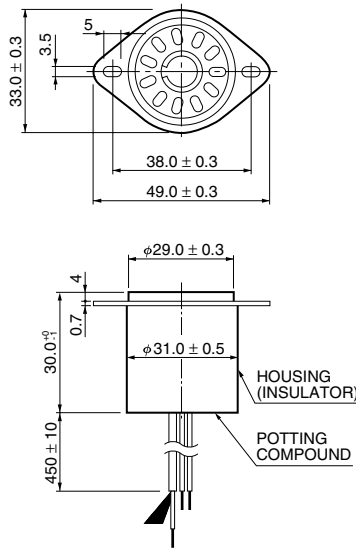


Figure 9: Accessories (Unit: mm) Sold Separately

Socket E678-11A



D Type Socket Assembly E717-63



* Hamamatsu also provides C4900 series compact high voltage power supplies and C6270 series DP type socket assemblies which incorporate a DC to DC converter type high voltage power supply.

Warning—Personal Safety Hazards
Electrical Shock—Operating voltages applied to this device present a shock hazard.

HAMAMATSU PHOTONICS K.K. www.hamamatsu.com

HAMAMATSU PHOTONICS K.K., Electron Tube Division

314-5, Shimokanzo, Iwata City, Shizuoka Pref., 438-0193, Japan, Telephone: (81)539/62-5248, Fax: (81)539/62-2205

U.S.A.: Hamamatsu Corporation, 360 Foothill Road, Bridgewater, N.J. 08807-0910, U.S.A., Telephone: (1)908-231-0960, Fax: (1)908-231-1218 E-mail: usa@hamamatsu.com

Germany: Hamamatsu Photonics Deutschland GmbH: Arzbergerstr. 10, D-82211 Herrsching am Ammersee, Germany, Telephone: (49)8152-375-0, Fax: (49)8152-2658 E-mail: info@hamamatsu.de

France: Hamamatsu Photonics France S.A.R.L.: 19, Rue du Saule Trapu, Parc du Moulin de Massy, 91882 Massy Cedex, France, Telephone: (33)1 69 53 71 00, Fax: (33)1 69 53 71 10 E-mail: infos@hamamatsu.fr

United Kingdom: Hamamatsu Photonics UK Limited: 2 Howard Court, 10 Tewin Road, Welwyn Garden City, Hertfordshire AL7 1BW, United Kingdom, Telephone: (44)1707-294888, Fax: (44)1707-294888 E-mail: info@hamamatsu.co.uk

North Europe: Hamamatsu Photonics Norden AB: Torshamnsgatan 35 SE-164 40 Kista, Sweden, Telephone: (46)8-509-031-00, Fax: (46)8-509-031-01 E-mail: info@hamamatsu.se

Italy: Hamamatsu Photonics Italia S.r.l.: Strada della Moia, 1 int. 6, 20020 Arese (Milano), Italy, Telephone: (39)02-93581733, Fax: (39)02-93581741 E-mail: info@hamamatsu.it

China: Hamamatsu Photonics (China) Co., Ltd.: B1201 Jiaming Center, No.27 Dongsanhuan Beilu, Chaoyang District, Beijing 100020, China, Telephone: (86)10-6586-6006, Fax: (86)10-6586-2866 E-mail: hpc@hamamatsu.com.cn

TPMS1086E01
OCT. 2015 IP