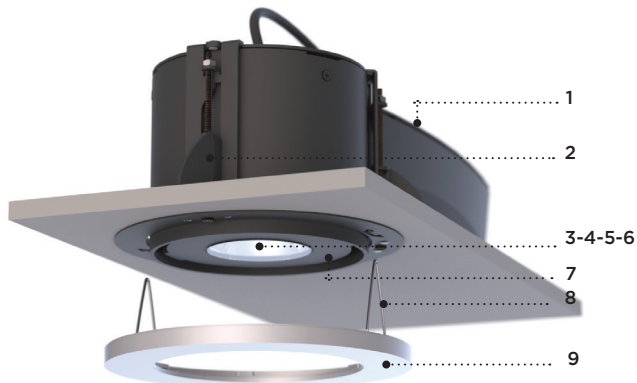


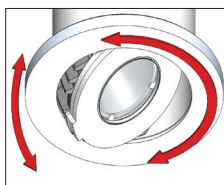
TYPE: _____ QUANTITY: _____ PROJECT: _____

CATALOG NUMBER:

FIXTURE WATTAGE VOLTAGE FINISH OPTION OPTION OPTION



Oculus light module is designed with a tilting mechanism allowing forward and back light adjustability. The $\pm 30^\circ$ directional module allows to aim the light beam in the desired direction, without disturbing the luminaire mounting. Standard fully adjustable 360° rotation.



- 1- Driver housing with gasketed service door.
- 2- Fixture secured with three locking tabs.
- 3- Fully sealed cast aluminum light assembly.
- 4- Sealed cast aluminum lens frame.
- 5- Clear tempered glass lens.
- 6- Faceted specular aluminum reflector.
- 7- Light module. Regressed light module available as an option.
- 8- Trim secured by two wire springs inserted in slots in the mounting flange.
- 9- Cast aluminum trim available in multiple colors.

All stainless steel hardware.

OC750



OC750-RG



shown with regressed option (RG)

MATERIALS

Oculus is made of corrosion resistant 356 aluminum alloy with a copper (CU) content of less than 0.1%.

The main housing is made of seamless extruded aluminum, with an integrally sealed LED light module designed for optimal heat dissipation, and lighting performance.

Oculus is standard with a unique proprietary design allowing the sealed LED module to tilt within the housing.

Oculus OC750 series is standard with 20° optic. See options section for alternate selection.

ELECTRICAL

DRIVER Standard driver is 0-10V dimming-ready (dims to 1%) with: 120-277 multi-volt compatibility (50-60Hz), operating temperature range of $-20^\circ\text{C}/-4^\circ\text{F}$ to $50^\circ\text{C}/122^\circ\text{F}$, and output short circuit protection with auto-recovery. Open circuit protection and temperature foldback.

LED Standard 4000K/80CRI. Optional 2700K, 3000K, 3500K & 5000K.

Optional Amber LED for turtle sensitive areas.
Wavelengths: 584.5nm to 597nm.

LIFE

60,000hrs $L_{85}B_{50}$ (based on IESNA TM-21 Test Method and LM-80 data).
130,000hrs $L_{70}B_{50}$ (calculated projection from LM-80 data).

FINISH

Five-stage preparation process including preheating of cast aluminum parts for air extraction, and an environmentally friendly alloy sealant. Polyester powder coating is applied through an electrostatic process and oven cured for long term finish.

MOUNTING

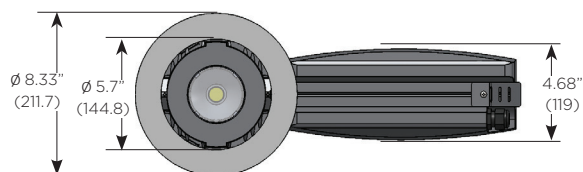
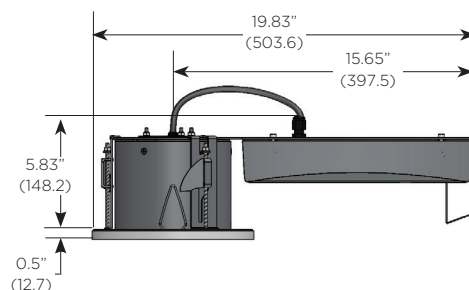
Maximum weight: 12 lbs (5.4 kg)

Remodeling type fixture designed to fit in a 7.5" (191mm) dia. opening on a ceiling 0.5" (13mm) to 1.5" (38mm) thick.

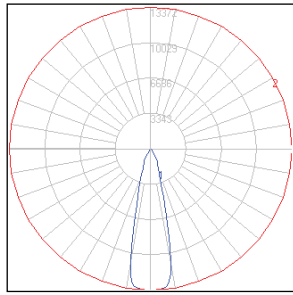
Three locking tabs secure frame in the ceiling and trim snaps in place. Locking tabs can be retracted to remove the frame for maintenance.

CERTIFICATION

Tested to UL1598 and CSA 22.2 #250. ETL listed wet location.
Rated IP66. CE Certification on request.



TYPICAL PHOTOMETRY SUMMARY




Descriptive Information

OC750-L1W30
 Total Lms: 3725 Lumens
 Total Input Watts: 32.43 W
 Source: LED
 Efficacy: 114.9 Lumens/Watt
 BUG: B3-U0-G0
 CCT/CRI: 4000K/80
 Maximum Candela: 13372 @ 0 deg
 Spacing Criterion: 0.46

Please visit our web site www.luminis.com for complete I.E.S. formatted download data.

LUMINAIRE SELECTION

| MODEL# | LED LIGHT SELECTION | VOLTAGE | FINISH | | | | | | | | | | | | | | | | | | | | | | |
|--|---|-------------------|------------------|------------------|--------|--------|--------------------------------|-----|------|----|-------|--------------------------------|-----|------|--------------------------------|-----|-------------------|--------|-------------|------------------|-----------------------------------|-----|-----|---|--|
|  <p>TRIM</p> <p>LIGHT MODULE</p> <p><input type="checkbox"/> OC750</p> | <table border="1"> <thead> <tr> <th>SUFFIX</th> <th>INPUT WATTS</th> <th>DELIVERED LUMENS</th> <th>CRI</th> <th>CCT °K</th> </tr> </thead> <tbody> <tr> <td><input type="checkbox"/> L1W12</td> <td>12W</td> <td>1588</td> <td rowspan="3">80</td> <td rowspan="3">4000K</td> </tr> <tr> <td><input type="checkbox"/> L1W18</td> <td>18W</td> <td>2153</td> </tr> <tr> <td><input type="checkbox"/> L1W30</td> <td>33W</td> <td>3725¹</td> </tr> </tbody> </table> <p>AMBER LED LIGHT SELECTION</p> <table border="1"> <thead> <tr> <th>SUFFIX</th> <th>INPUT WATTS</th> <th>DELIVERED LUMENS</th> </tr> </thead> <tbody> <tr> <td><input type="checkbox"/> L1W18K2A</td> <td>17W</td> <td>388</td> </tr> </tbody> </table> | SUFFIX | INPUT WATTS | DELIVERED LUMENS | CRI | CCT °K | <input type="checkbox"/> L1W12 | 12W | 1588 | 80 | 4000K | <input type="checkbox"/> L1W18 | 18W | 2153 | <input type="checkbox"/> L1W30 | 33W | 3725 ¹ | SUFFIX | INPUT WATTS | DELIVERED LUMENS | <input type="checkbox"/> L1W18K2A | 17W | 388 | <input type="checkbox"/> 120V <input type="checkbox"/> 277V Optional <input type="checkbox"/> 347V | <p>TRIM & LIGHT MODULE COLOR (select one)</p> <p>STANDARD COLORS</p> <input type="checkbox"/> WHT Snow white <input type="checkbox"/> BKT Jet black <input type="checkbox"/> BZT Bronze <input type="checkbox"/> MST Matte silver <input type="checkbox"/> GRT Titanium gray <input type="checkbox"/> DGT Gun metal <input type="checkbox"/> CHT Champagne <p>OPTIONAL COLORS</p> <input type="checkbox"/> CS Custom color <input type="checkbox"/> RAL RAL# color |
| | SUFFIX | INPUT WATTS | DELIVERED LUMENS | CRI | CCT °K | | | | | | | | | | | | | | | | | | | | |
| | <input type="checkbox"/> L1W12 | 12W | 1588 | 80 | 4000K | | | | | | | | | | | | | | | | | | | | |
| | <input type="checkbox"/> L1W18 | 18W | 2153 | | | | | | | | | | | | | | | | | | | | | | |
| <input type="checkbox"/> L1W30 | 33W | 3725 ¹ | | | | | | | | | | | | | | | | | | | | | | | |
| SUFFIX | INPUT WATTS | DELIVERED LUMENS | | | | | | | | | | | | | | | | | | | | | | | |
| <input type="checkbox"/> L1W18K2A | 17W | 388 | | | | | | | | | | | | | | | | | | | | | | | |

OPTIONS (Refer to page 3 for details)

LIGHT & OPTICS

- Alternate CCT °K LED (LCF: Lumen conversion factor)
- K27 2700K CCT 80 CRI (LCF: 0.91)
 - K3 3000K CCT 80 CRI (LCF: 0.94)
 - K35 3500K CCT 80 CRI (LCF: 0.983)
 - K5 5000K CCT 80 CRI (LCF: 1.01)

NOTE: Other CCT & higher CRI available, please consult factory.

Alternate reflector optics (20° Standard reflector)

- R12 12° narrow optic
- R45 45° flood optic
- R60 60° wide flood optic
- LSL Linear spread lens (Asymmetric lens distribution is achieved when light module is tilted)
- RG Regressed light module (light module color is BKT when RG is selected, trim color must still be chosen, not limited to BKT)²
- GL Trim glass for water ingress protection in ceiling

ELECTRICAL

- FS Fuse

ACCESSORIES

- CPB Concrete pour box
- HL Hexcell louver
- SL Solite lens

NOTES

- 1- 3221 delivered lumens with GL option
- 2- Cylindrical housing extended by 1" (25.4) for increased cut-off



OPTIONS

ACCESSORIES

