

Compact Coaxial Connector

PSH2 Series

DDK Ltd.

OUTLINE

DDK's PSH2 ultra-compact miniature coaxial connector provides the optimal balance of performance and size. This surface mounted (SMT) RF connector with VSWR performance of 1.3 at DC to 3GHz and VSWR of 1.5 at 3 GHz to 6 GHz and a stacking height of 1.5mm. This low cost connector is suitable for wireless LAN applications based upon IEEE 802.11a.



Frequency Range
DC to 6GHz

Characteristic Impedance
50 Ω

FEATURE

- Applicable frequency ranges DC to 3GHz or 3GHz to 6GHz
- Utilizes 50 ohm coaxial cable size of ϕ 0.81mm
- Compact and ultra-low profile mated height of 1.5mm
- 30 mate/demate cycles
- Custom cable lengths available
- Applicable for IEEE 802.11a applications
- Tape and reel package for automated mounting machine
- RoHs Compliant

APPLICATIONS

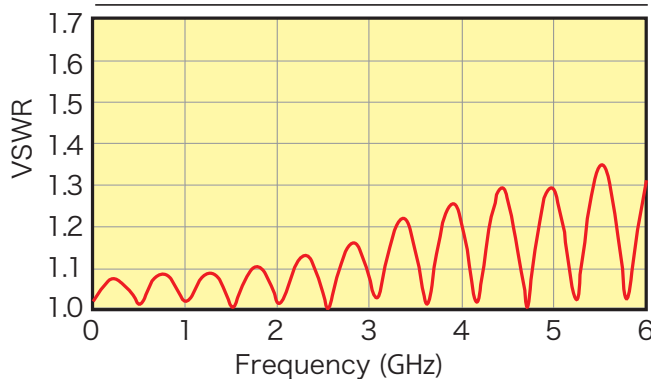
- Wireless LAN, Portable PC, Mobile Phone, Measurement Equipments, Bluetooth.

SPECIFICATIONS

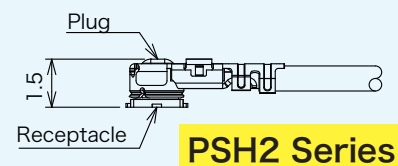
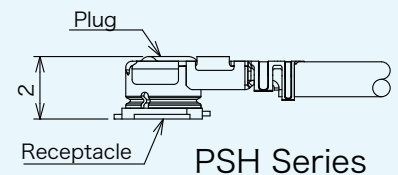
Characteristic Impedance	50 Ω
Rated Voltage	60VAC(r.m.s.)
Dielectric Withstanding Voltage	200V AC(r.m.s.) / 1 minute
Insulation Resistance	500M Ω Mim. at 100V DC
Contact Resistance	Contact : 20m Ω max. Outer conductor : 10m Ω max.
V.S.W.R.	1.3 max. at DC to 3GHz 1.5 max. at 3 to 6GHz
Operating Temperature	-40 to +85°C

* The specifications are typical but may not apply to all connectors. Please check the specifications on each item with its drawing from us when you use.

PSH2-LP-OD0.81-CR3(L=200mm,both ended herness)
DC to 6GHz VSWR



Mating Height

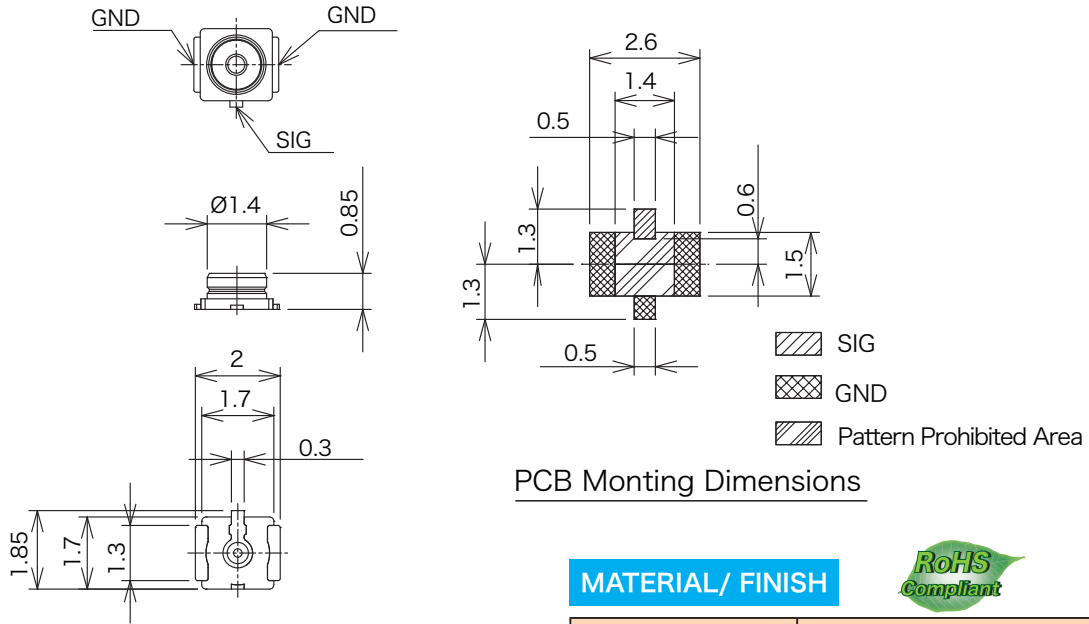


© Please acknowledge that the specification etc. of this catalog might change by the improvement etc. without notice.
Moreover, the characteristic and the specification of the published product are the reference values.
Please confirm the content with the latest delivery specifications when you use the product.

▶ Receptacle

Part Number	Outer Conductor Finish	Quantity	
PSH2-SR-PS-1000	Au	Reel packaging	1000 pcs./ reel
PSH2-SR-PS-5000	Au		5000 pcs./ reel

※ Tape and reel packaging



PCB Mounting Dimensions

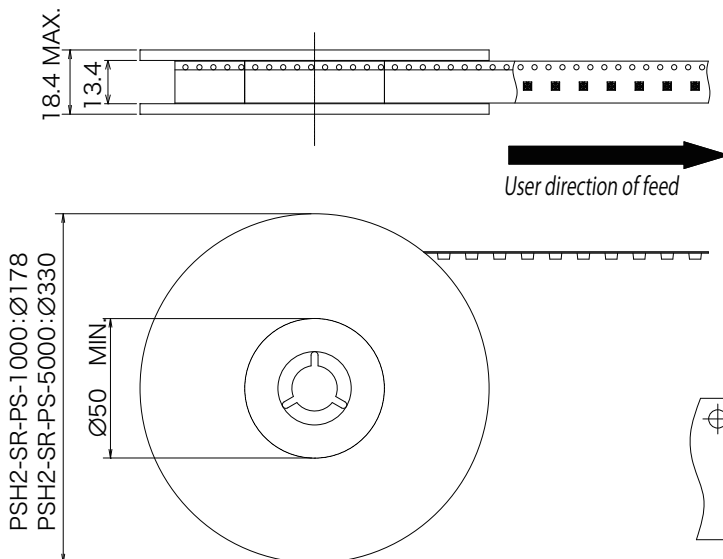
MATERIAL/ FINISH



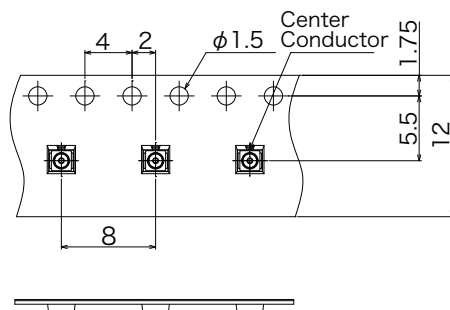
Item	Material / Finish
	Receptacle
Outer Conductor	Copper Alloy / Au Plating
Contact	Copper Alloy / Au Plating
Insulator	Thermoplastic Resin / Black

▶ Packaging Specifications

◆ Reel Dimensions

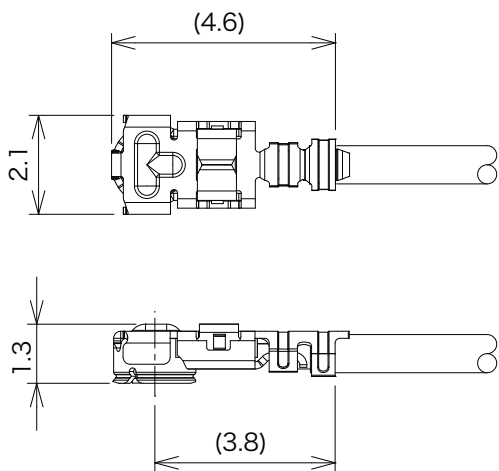


◆ Emboss Tape Dimensions



© Please acknowledge that the specification etc. of this catalog might change by the improvement etc. without notice.
 Moreover, the characteristic and the specification of the published product are the reference values.
 Please confirm the content with the latest delivery specifications when you use the product.

▶ Plug Cable Assembly



Applicable Cable	Part Number	Outer Conductor Finish
Dia. ϕ 0.81	PSH2-LP-OD0.81-CR3	Au

※ Plug connector is available in only cable assembly.

MATERIAL/ FINISH



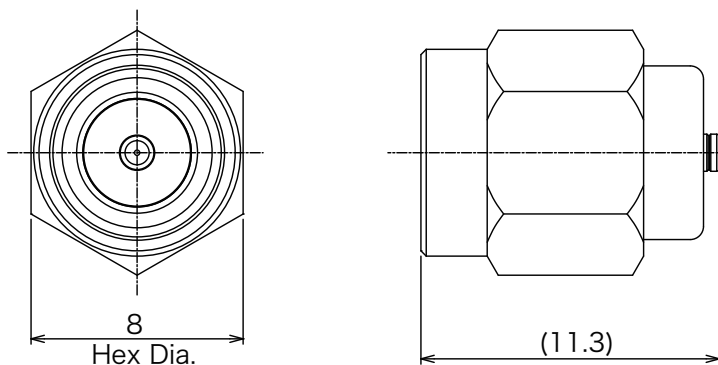
Item	Material / Finish
	Plug
Outer Conductor	Copper Alloy / Au Plating
Contact	Copper Alloy / Au Plating
Insulator	Thermoplastic Resin / Black

Applicable Cable Size

Cable Size	Center Conductor	Insulator	Outer Conductor	Cable Dia.	Characteristic Impedance	Attenuation max.(dB/m)	
						3GHz	6GHz
O.D. ϕ 0.81	7/0.05 (AWG36)	ϕ 0.4	Single Braid	ϕ 0.81	50 Ω	6.2	9.4
	Ag Plating	FEP	Sn Plating	FEP			

▶ Adapter

DMP-SA-PSH2J



© Please acknowledge that the specification etc. of this catalog might change by the improvement etc. without notice.
 Moreover, the characteristic and the specification of the published product are the reference values.
 Please confirm the content with the latest delivery specifications when you use the product.

▶ Cable Assembly

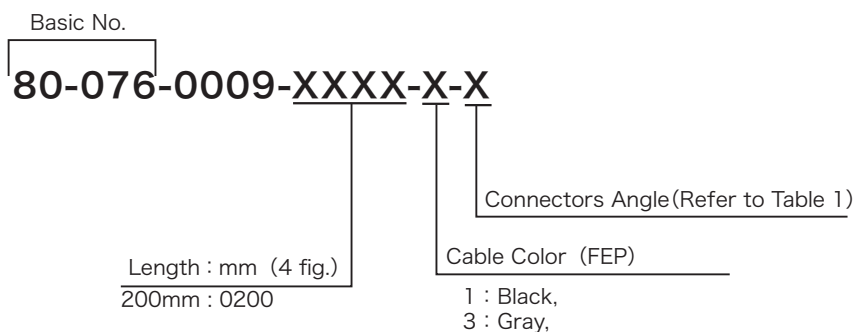


Table 2. Cable Length

Cable Length : L	Tolerance
$25 \leq L \leq 200$	± 3
$200 < L \leq 500$	± 5
$500 < L \leq 1000$	± 10
$1000 < L$	$\pm 1.5\%$

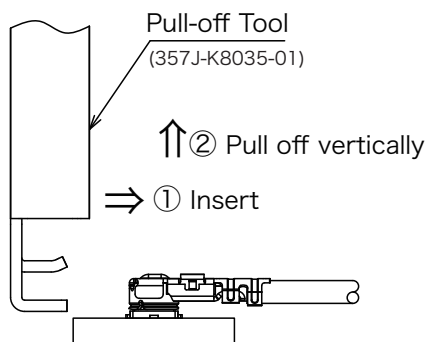
Table 1. Connector Angle

Connector Angle 1	Connector Angle 2
Connector Angle 3	Connector Angle 4

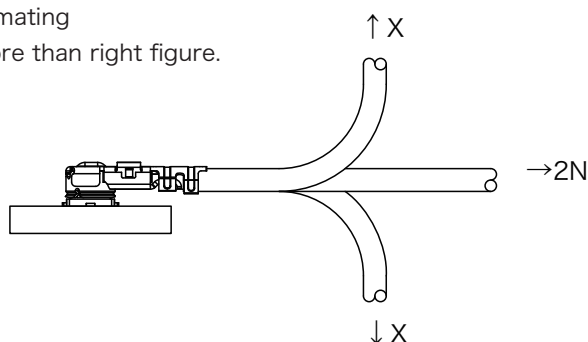
© Please acknowledge that the specification etc. of this catalog might change by the improvement etc. without notice.
 Moreover, the characteristic and the specification of the published product are the reference values.
 Please confirm the content with the latest delivery specifications when you use the product.

▶ Instruction Manual

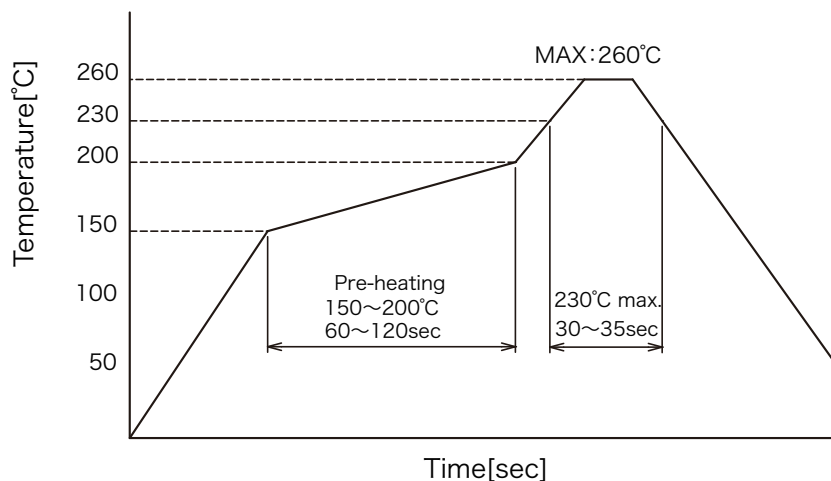
When mating the connector, please insert the connector along the center conductor.
 When unmating the connector, please pull off vertically by using below tool
 (No.357J-K8035-01) .
 Excessive torsional mating causes to be broken.



- Allowable cable load at mating
 Do not add the load more than right figure.



▶ Reflow Temperature Profile



- ※ Above reflow temperature profile can be fluctuated by sort of the solder paste. Please test the soldering temperature beforehand.
- ※ The temperature is measured at the terminal area.
- ※ Reflow cycle is up to twice.

© Please acknowledge that the specification etc. of this catalog might change by the improvement etc. without notice.
 Moreover, the characteristic and the specification of the published product are the reference values.
 Please confirm the content with the latest delivery specifications when you use the product.