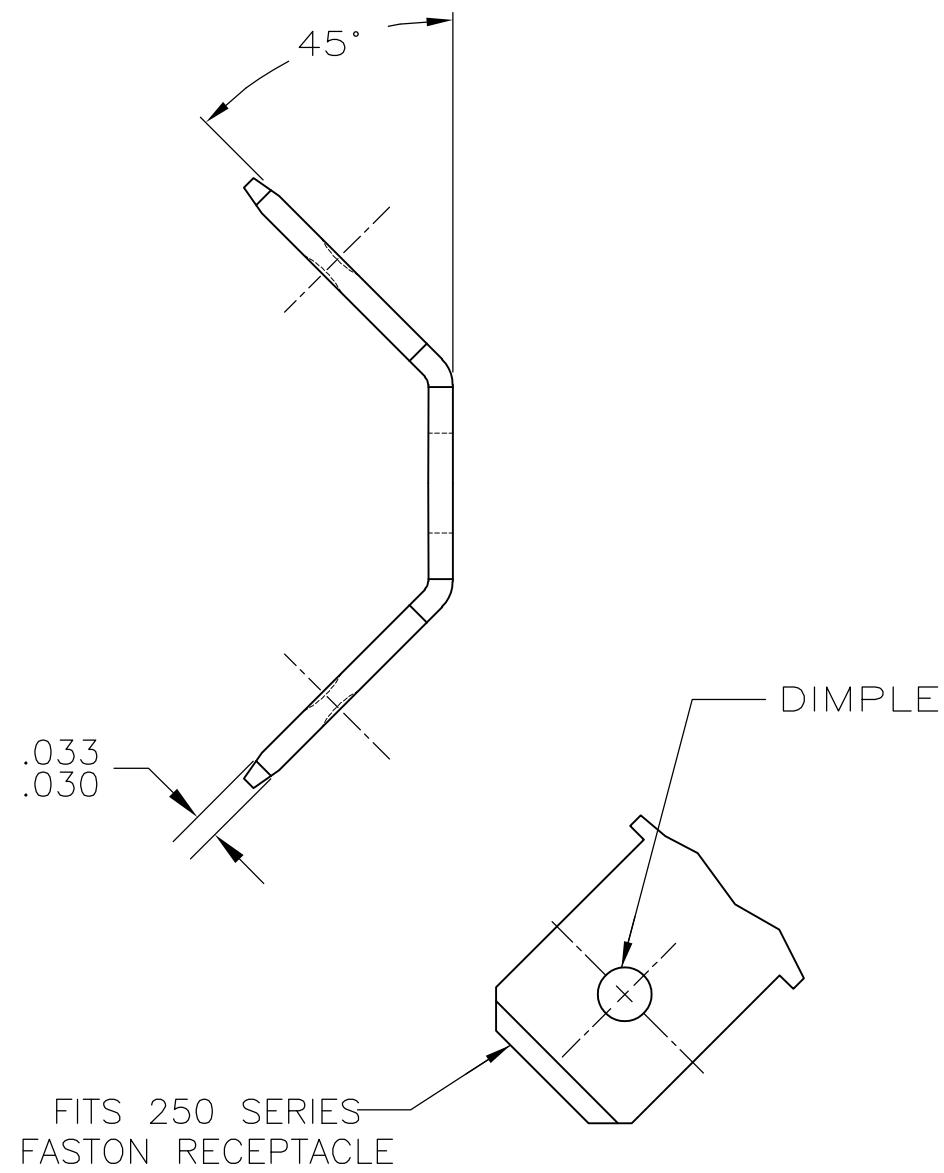
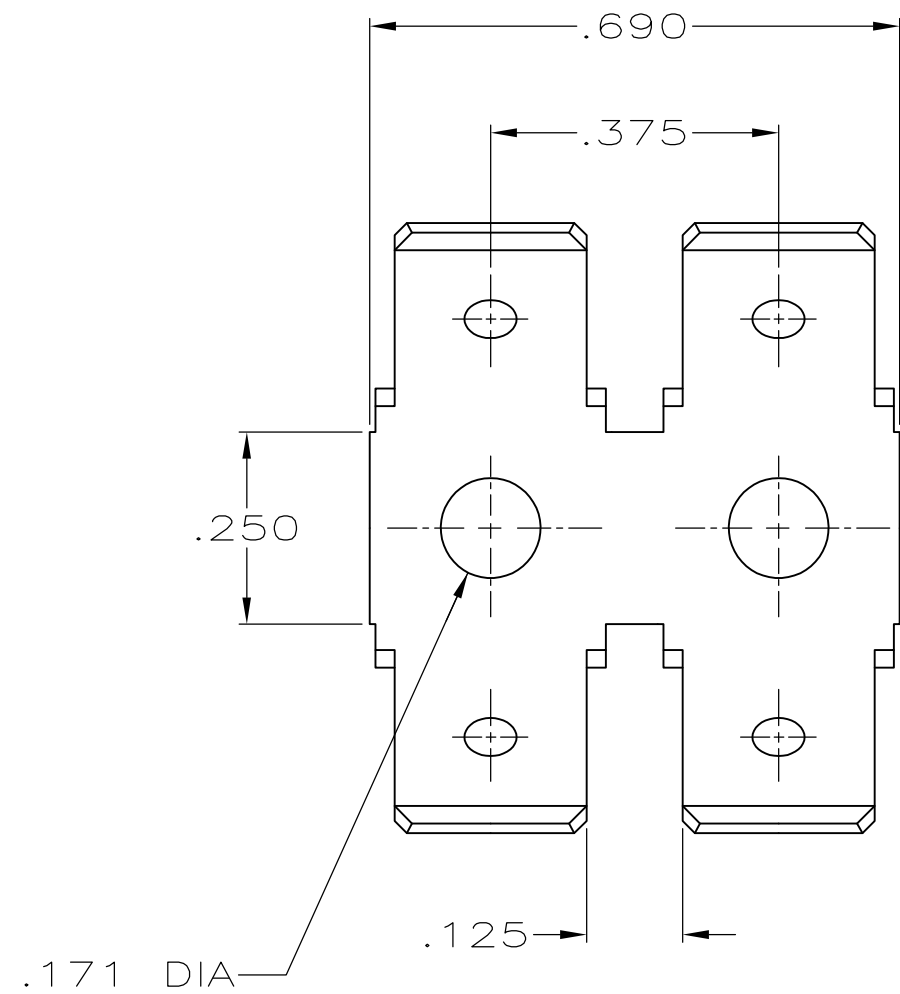


THIS DRAWING IS UNPUBLISHED. RELEASED FOR PUBLICATION  
 © COPYRIGHT - By - ALL RIGHTS RESERVED.

LOC	DIST	REVISIONS					
AF	50	P	LTR	DESCRIPTION	DATE	DWN	APVD
			Y	REVISED PER ECR-13-011489	07DEC2013	KH	PD

1 PARTS SUPPLIED IN PAIRS OF 2.



41617  
PART NO

THIS DRAWING IS A CONTROLLED DOCUMENT.		DWN	JR RUTH	4/28/89	<b>TE Connectivity</b>				
DIMENSIONS: INCHES		CHK	MS FEHER	5/1/89				NAME	
		TOLERANCES UNLESS OTHERWISE SPECIFIED:		APVD	TAB, FASTON™.250 SERIES				
MATERIAL: BRASS		FINISH: -		C MEYERS	5/1/89	PRODUCT SPEC			
				APPLICATION SPEC		SIZE	CAGE CODE	DRAWING NO	RESTRICTED TO
				WEIGHT: -		A3	00779	C-41617	-
				CUSTOMER DRAWING			SCALE	SHEET	REV
							4:1	1 OF 1	Y