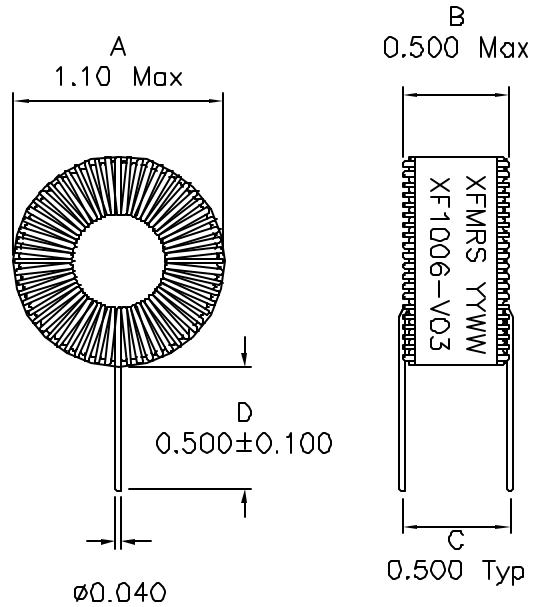
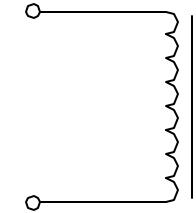


1. Mechanical Dimensions:



2. Schematic:



3. Electrical Specifications:

OCL: 100uH ± 10% @ 100KHz 0.1V
 DCR: 0.040 Ohms Max
 Rated Current: 6.0Adc

Notes:

1. Solderability: Leads shall meet MIL-STD-202, Method 208D for solderability.
2. Flammability: UL94V-0
3. ASTM oxygen index: > 28%
4. Insulation System: Class F 155°C, UL file E151556
5. Operating Temperature Range: All listed parameters are to be within tolerance from -40°C to +85°C
6. Storage Temperature Range: -55°C to +125°C
7. Aqueous wash compatible

DOC REV: A/1

PROPRIETARY Document is the property of XFMRS Group & is not allowed to be duplicated without authorization.

XFMRS Inc.	Title: TOROIDAL INDUCTOR	
UNLESS OTHERWISE SPECIFIED TOLERANCES: .xxx ± 0.010 Dimensions in Inch	P/N: XF1006-VQ3	REV. A
	DWN. 廖玉坤	Apr-29-04
SHEET 1 OF 1	CHK. 李清儿	Apr-29-04
	APP. Isaiah M	Apr-29-04