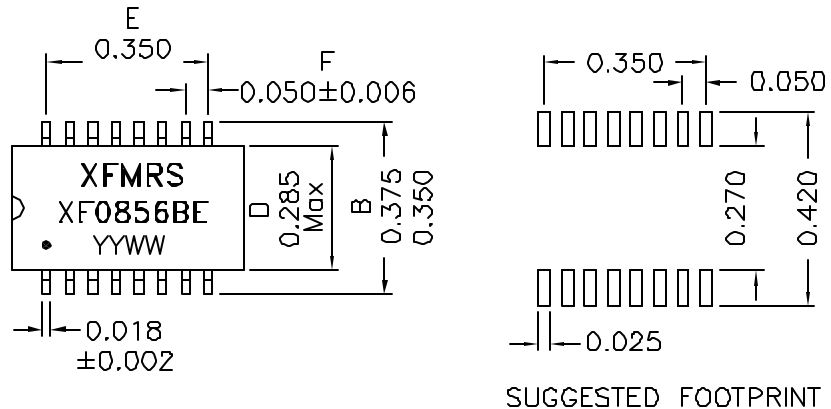
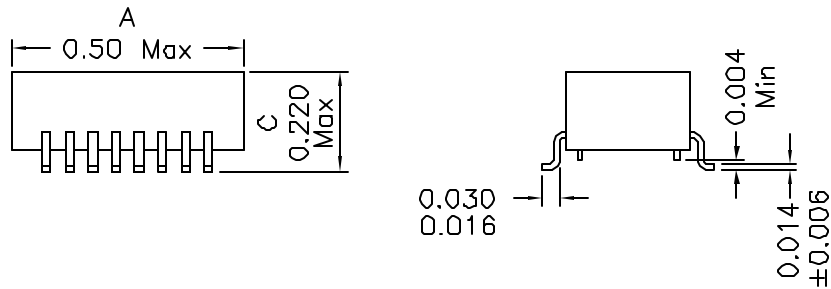
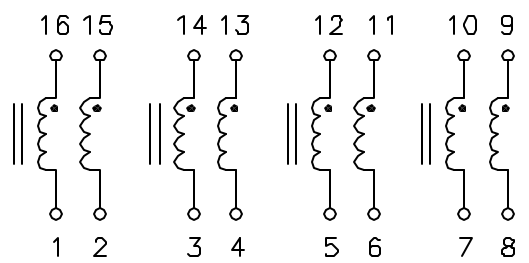


### 1. Dimensions:



- Notes:**
1. Solderability: Leads shall meet MIL-STD-202G, Method 20BH for solderability.
  2. Flammability: UL94V-0
  3. ASTM oxygen index: > 28%
  4. Insulation System: Class F 155°C. UL file E151556
  5. Operating Temperature Range: All listed parameters are to be within tolerance from -40°C to +85°C
  6. Storage Temperature Range: -55°C to +125°C
  7. Aqueous wash compatible
  8. SMD Lead Coplanarity: ±0.004" (0.102mm)
  9. Electrical and mechanical specifications 100% tested
  10. RoHS Compliant Component

### 2. Schematic:



### 3. Electrical Specifications: @25°C

- Isolation Voltage: 500 Vrms
- Turns Ratio: 1:1
- OCL: 85uH ±20% @100KHz 50mV
- Cw/w: 25pF Max. @100KHz 50mV
- Leakage Inductance: 0.25uH Max. @100KHz 50mV
- DC Resistance: 0.20 Ohms Max. each wdg
- Common Mode Attenuation:
  - 8dB Typ @100KHz
  - 24dB Typ @1MHz
  - 30dB Typ @10MHz
  - 29dB Typ @30MHz
  - 27dB Typ @50MHz
  - 24dB Typ @100MHz
  - 16dB Typ @300MHz
  - 11dB Typ @500MHz

<b>XFMRs Inc</b> www.XFMRs.com	Title: COMMON MODE CHOKE	
	P/N: XF0856BE	REV. A
UNLESS OTHERWISE SPECIFIED TOLERANCES: .xxx ±0.010 Dimensions in Inch	DWN.	Juan Mao Jun-28-06
	CHK.	YK Liao Jun-28-06
SCALE 2.5:1 SHT 1 OF 1	APP.	MS Jun-28-06

DOC. REV. A/3