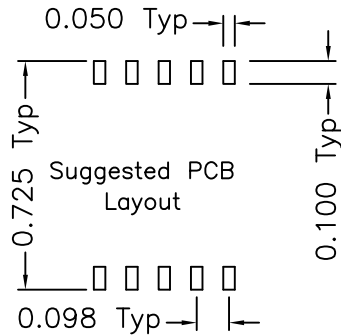
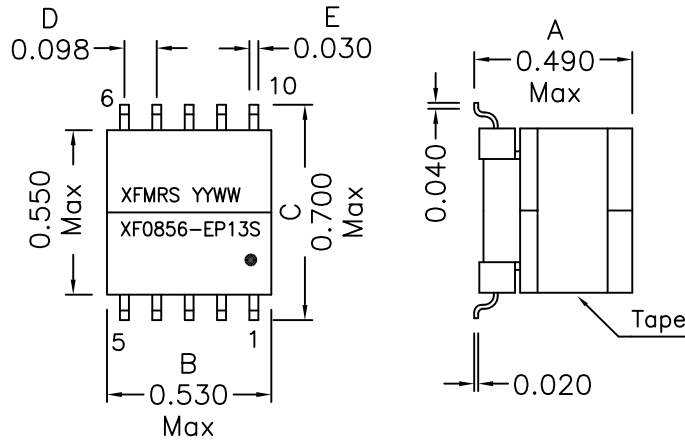


1. Mechanical Dimensions:

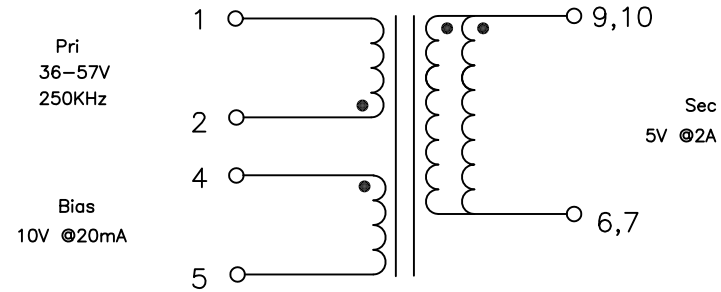


Notes:

1. Solderability: Leads shall meet MIL-STD-202G, Method 208H for solderability.
2. Flammability: UL94V-0
3. ASTM oxygen index: > 28%
4. Insulation System: Class F 155°C. UL file E151556
5. Operating Temperature Range: All listed parameters are to be within tolerance from -40°C to +85°C
6. Storage Temperature Range: -55°C to +125°C
7. Aqueous wash compatible
8. SMD Lead Coplanarity: $\pm 0.004'' (0.102\text{mm})$
9. Electrical and mechanical specifications 100% tested
10. RoHS Compliant Component

DOC. REV: A/2

2. Schematic:



3. Electrical Specifications:

OCL: Pins 2-1 $85\mu\text{H} \pm 28\%$ @100KHz 0.2V

Q: Pins 2-1 tbd Min @100KHz 0.2V

LL: Pins 2-1 $0.750\mu\text{H}$ Max @100KHz 0.2V, Short All Else

DCR: Pins 2-1 0.325 Ohms Max

Pins 9-6 0.051 Ohms Max

Pins 10-7 0.051 Ohms Max

Pins 4-5 0.815 Ohms Max

Turns Ratio: Pins (2-1):(9,10-6,7):(4-5) = 1:0.370:0.778

Hipot: 1500Vrms Pri & Bias to Sec for 1 Min

XFMR5 Inc www.XFMR5.com		Title: PoE Transformer	
UNLESS OTHERWISE SPECIFIED TOLERANCES: .xxx ± 0.010 Dimensions in INCH		P/N: XF0856-EP13S	REV. A
SHEET 1 OF 1		DWN.	Mei Chen
		CHK.	YK Liao
		APP.	BW
			May-29-13
			May-29-13
			May-29-13