

Features

Regulated Converters

- Highest Power Density In SIP Package
- 1.6kVDC/1 Minute Isolation
- Efficiency Up To 88%
- -40°C To +75°C Operating Temperature Range @ Full Load
- EN60950 And UL/EN62368-1 (pending) CB Report
- Industry Standard Pinout

Description

The RS6 series offer very high power density (2.7W/cm³), wide input voltage range and an industrial operating temperature range of -40°C to +75°C without derating. High efficiency, tight regulation, 2kVDC isolation and remote on/off are just some of the characteristics of this advanced SIP8 6W converter which is ideal for high density power supply designs in demanding industrial applications.

Selection Guide

Part Number	nom. Input Voltage [VDC]	Output Voltage [VDC]	Output Current [mA]	Efficiency typ. ⁽¹⁾ [%]	max. Capacitive Load ⁽²⁾ [µF]
RS6-053.3S	5	3.3	1300	83	6600
RS6-0505S	5	5	1200	86	3300
RS6-0512S	5	12	500	87	1600
RS6-0515S	5	15	400	86	1400
RS6-0505D	5	±5	±600	84	±2000
RS6-0512D	5	±12	±250	87	±900
RS6-0515D	5	±15	±200	86	±660
RS6-123.3S	12	3.3	1300	81	6600
RS6-1205S	12	5	1200	86	3300
RS6-1212S	12	12	500	87	1600
RS6-1215S	12	15	400	87	1400
RS6-1205D	12	±5	±600	85	±2000
RS6-1212D	12	±12	±250	87	±900
RS6-1215D	12	±15	±200	87	±660
RS6-243.3S	24	3.3	1300	81	6600
RS6-2405S	24	5	1200	87	3300
RS6-2412S	24	12	500	87	1600
RS6-2415S	24	15	400	87	1400
RS6-2405D	24	±5	±600	85	±2000
RS6-2412D	24	±12	±250	87	±900
RS6-2415D	24	±15	±200	87	±660
RS6-483.3S	48	3.3	1300	81	6600
RS6-4805S	48	5	1200	87	3300
RS6-4812S	48	12	500	87	1600
RS6-4815S	48	15	400	88	1400
RS6-4805D	48	±5	±600	85	±2000
RS6-4812D	48	±12	±250	87	±900
RS6-4815D	48	±15	±200	88	±660

Notes:

Note1: Efficiency tested at nominal input and full load at +25°C ambient.

Note2: Max Cap Load tested at minimum input and constant resistor load.

RS6

6 Watt
SIP8
Single and Dual
Output



EN60950-1 (pending)
EN62368-1 (pending)
UL62368-1 (pending)
EN55022 compliant

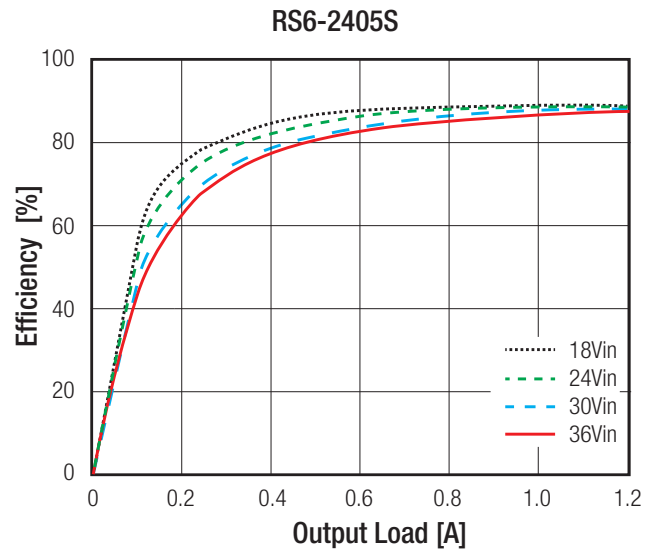
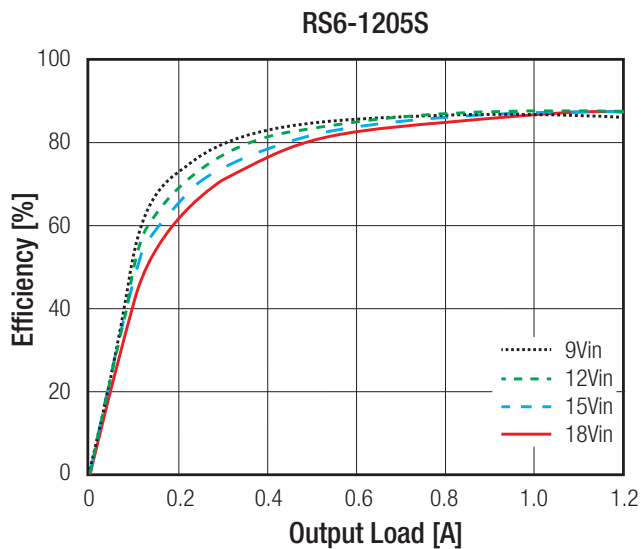
Specifications (measured @ $t_a = 25^\circ\text{C}$, nominal input voltage, full load and after warm up unless otherwise specified)

BASIC CHARACTERISTICS					
Parameter	Condition		Min.	Typ.	Max.
Input Filter	capacitor				
Input Voltage Range	nom. Vin=	5VDC 12VDC 24VDC 48VDC	4.5VDC 9VDC 18VDC 36VDC	5VDC 12VDC 24VDC 48VDC	9VDC 18VDC 36VDC 75VDC
Input Surge Voltage	1 second max.	nom. Vin=			15VDC 25VDC 50VDC 100VDC
Quiescent Current	nom. Vin=	5VDC 2VDC 24VDC 48VDC			105mA 55mA 28mA 14mA
Output Voltage Trimming	see calculation on next page	Trim up Trim down			+10% -8%
Start-up time				2ms	
Under Voltage Lockout	nom. Vin= 5V	DC-DC ON DC-DC OFF		4.5VDC 2.7VDC	
	nom. Vin= 12V	DC-DC ON DC-DC OFF		9VDC 7VDC	
	nom. Vin= 24V	DC-DC ON DC-DC OFF		18VDC 15VDC	
	nom. Vin= 48V	DC-DC ON DC-DC OFF		36VDC 30VDC	
ON/OFF CTRL	DC-DC ON DC-DC OFF			Open 5V < Vr < 10VDC	
Internal Operating Frequency	0-100% load		200kHz		
Minimum Load				0%	
Output Ripple and Noise ⁽³⁾	20MHz BW			50mVp-p	75mVp-p

Notes:

Note3: Measurements are made with a 1.0µF MLCC across output (low ESR).

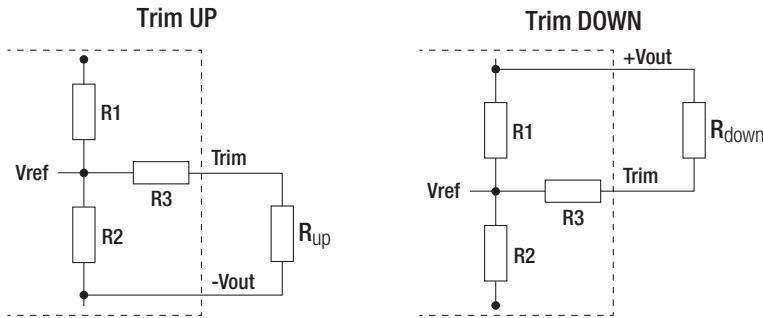
Efficiency vs. Load



continued on next page

Specifications (measured @ ta= 25°C, nominal input voltage, full load and after warm up unless otherwise specified)

Output Voltage Trimming



Vout	3.3V	5V	12V	15V
R1	16.74kΩ	10kΩ	38kΩ	50kΩ
R2	10kΩ			
R3	52.3kΩ	39kΩ	68kΩ	68kΩ
Vref	2.5V			

Trim Calculation

Vout = nom. Output Voltage

ΔVout = Output Voltage Trim

R_{up} = Trim up resistor

R_{down} = trim down resistor

a = trim up factor

b = trim down factor

$$\Delta V_{out} = V_{out} - V_{out_{trimmed}}$$

$$R_{up} = \left[\frac{a \cdot R_2}{R_2 - a} \right] - R_3 = k\Omega$$

$$R_{down} = \left[\frac{b \cdot R_1}{R_1 - b} \right] - R_3 = k\Omega$$

$$a = \left[\frac{V_{ref}}{(V_{out} + \Delta V_{out}) - V_{ref}} \right] \cdot R_1 = k\Omega$$

$$b = \left[\frac{(V_{out} + \Delta V_{out}) - V_{ref}}{V_{ref}} \right] \cdot R_2 = k\Omega$$

Practical Example:

Trim Up:

Vout = 5V, ΔVout = 0.5V (10%), Vref = 2.5V

$$a = \left[\frac{2.5V}{(5V + 0.5V) - 2.5V} \right] \cdot 10k\Omega = 8.33k\Omega$$

$$R_{up} = \left[\frac{8.33k\Omega \cdot 10k\Omega}{10k\Omega - 8.33k\Omega} \right] - 39 = 11.0k\Omega$$

RS6-xx03.3S

Trim up	1	2	3	4	5	6	7	8	9	10	%
Vout =	3.33	3.36	3.39	3.43	3.46	3.49	3.53	3.56	3.59	3.63	Volts
R _{up} =	1151.73	360.87	197.07	126.28	86.79	61.60	44.14	31.32	21.15	13.76	kOhms

RS6-xx05S

Trim up	1	2	3	4	5	6	7	8	9	10	%
Vout =	5.05	5.10	5.15	5.20	5.25	5.30	5.35	5.4	5.45	5.50	Volts
R _{up} =	461.00	211.00	127.67	86.00	61.00	44.33	32.43	23.50	16.56	11.00	kOhms

RS6-xx12S

Trim up	1	2	3	4	5	6	7	8	9	10	%
Vout =	12.12	12.24	12.36	12.48	12.60	12.72	12.84	12.96	13.08	13.20	Volts
R _{up} =	723.67	327.83	195.89	129.92	90.33	63.94	45.10	30.96	19.96	11.17	kOhms

RS6-xx15S

Trim up	1	2	3	4	5	6	7	8	9	10	%
Vout =	15.15	15.3	15.45	15.60	15.75	15.90	16.05	16.20	16.35	16.50	Volts
R _{up} =	765.33	348.67	209.78	140.33	98.67	70.89	51.05	36.17	24.59	15.33	kOhms

continued on next page

Specifications (measured @ $t_a = 25^\circ\text{C}$, nominal input voltage, full load and after warm up unless otherwise specified)

Trim down:

$V_{out} = 5V$, $\Delta V_{out} = -0.4V$ (-8%), $V_{ref} = 2.5V$

$$b = \left[\frac{[5V + (-0.4V)] - 2.5V}{2.5V} \right] * 10k\Omega = 8.4k\Omega \quad R_{down} = \left[\frac{8.4k\Omega * 10k\Omega}{10k\Omega - 8.4k\Omega} \right] - 39k\Omega = 13.5k\Omega$$

RS6-xx03.3S

Trim down	-1	-2	-3	-4	-5	-6	-7	-8	%
$V_{out} =$	3.267	3.234	3.201	3.168	3.135	3.102	3.069	3.036	Volts
$R_{down} =$	643.60	355.96	233.75	166.13	123.19	93.52	71.78	55.17	kOhms

RS6-xx05S

Trim down	-1	-2	-3	-4	-5	-6	-7	-8	%
$V_{out} =$	4.95	4.90	4.85	4.80	4.75	4.70	4.65	4.60	Volts
$R_{down} =$	451.00	201.00	117.67	76.00	51.00	34.33	22.43	13.50	kOhms

RS6-xx12S

Trim down	-1	-2	-3	-4	-5	-6	-7	-8	%
$V_{out} =$	11.88	11.76	11.64	11.52	11.40	11.28	11.16	11.04	Volts
$R_{down} =$	2902.33	1398.17	896.78	646.08	495.67	395.39	323.76	270.04	kOhms

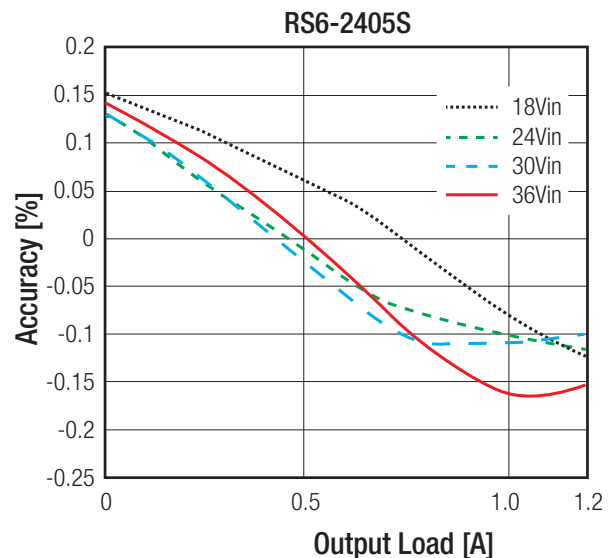
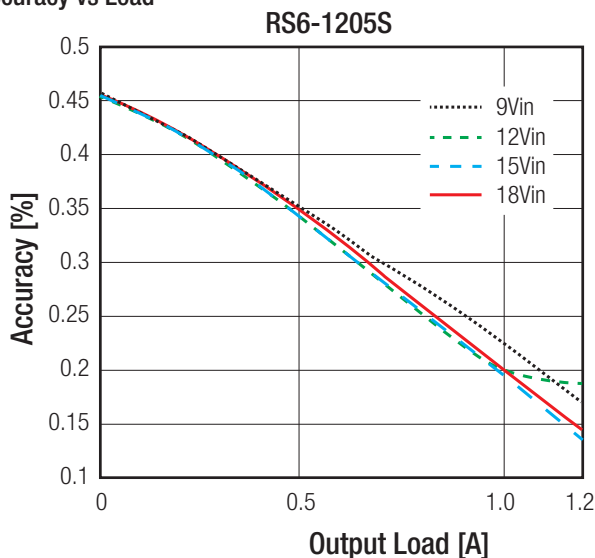
RS6-xx15S

Trim down	-1	-2	-3	-4	-5	-6	-7	-8	%
$V_{out} =$	14.85	14.70	14.55	14.40	14.25	14.10	13.95	13.80	Volts
$R_{down} =$	4048.67	1965.33	1270.89	923.67	715.33	576.44	477.24	402.83	kOhms

REGULATIONS

Parameter	Condition	Values
Output Accuracy		$\pm 1.0\%$ typ.
Line Regulation	low line to high line	$\pm 0.2\%$ typ.
Load Regulation	0% to 100% load	$\pm 1.0\%$ typ.
Cross Regulation	25% to 100% load	$\pm 5.0\%$ typ.
Transient Response	25% load step change	500 μs typ.

Accuracy vs Load



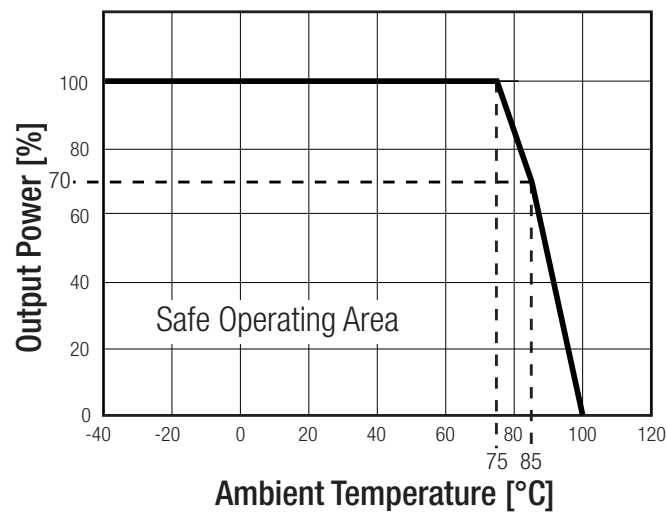
Specifications (measured @ $t_a = 25^\circ\text{C}$, nominal input voltage, full load and after warm up unless otherwise specified)

PROTECTIONS			
Parameter	Condition		Value
Short Circuit Protection (SCP)	below 100mΩ		continuous, automatic recovery
Over Load Protection (OLP)			150% load, continuous, automatic recovery
Isolation Voltage	I/P to O/P	tested for 1 second rated for 1 minute	2kVDC 1.6kVDC
Isolation Capacitance			110pF max.
Isolation Resistance			1GΩ typ.
Isolation Grade			Functional

ENVIRONMENTAL			
Parameter	Condition		Value
Operating Temperature Range ⁽⁵⁾	without derating (see graph)		-40°C to +75°C
Maximum Case Temperature			+105°C
Temperature Coefficient			±0.02%/°C
Operating Humidity	non-condensing		5% - 95% RH max.
Vibration			MIL-STD-202G
MTBF	according to MIL-HDBK-217F, G.B.	+25°C	1776 x 10 ³ hours

Derating Graph

(@ Chamber and natural convection 0.1 m/s)



Notes:

Note5: Derating Graph is referring to RS6-0505S. For more details, please contact our technical support service at TechsupportAT@recom-power.com.

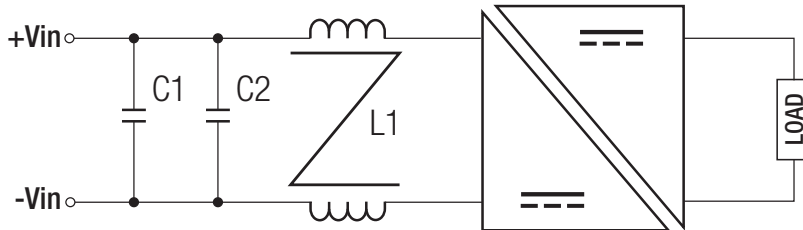
SAFETY AND CERTIFICATIONS		
Certificate Type	Report / File Number	Standard
Information Technology Equipment, General Requirements for Safety (LVD)	pending	EN60950-1, 2nd Edition AM2, 2013
Audio/video, information and communication technology equipment - Safety requirements (CB Scheme)	pending	EN62368-1, 2014 UL62368-1, 2nd Edition, 2014 CAN/CSA C22.2 No. 62368-1-14, 2014
RoHS2		RoHS-2011/65/EU + AM-2015/863
EMC Compliance	Condition	Standard / Criterion
Information technology equipment - Radio disturbance characteristics - Limits and methods of measurement	with external filter (see filter suggestions)	EN55022, Class A EN55022, Class B

continued on next page

Specifications (measured @ $t_a = 25^\circ\text{C}$, nominal input voltage, full load and after warm up unless otherwise specified)

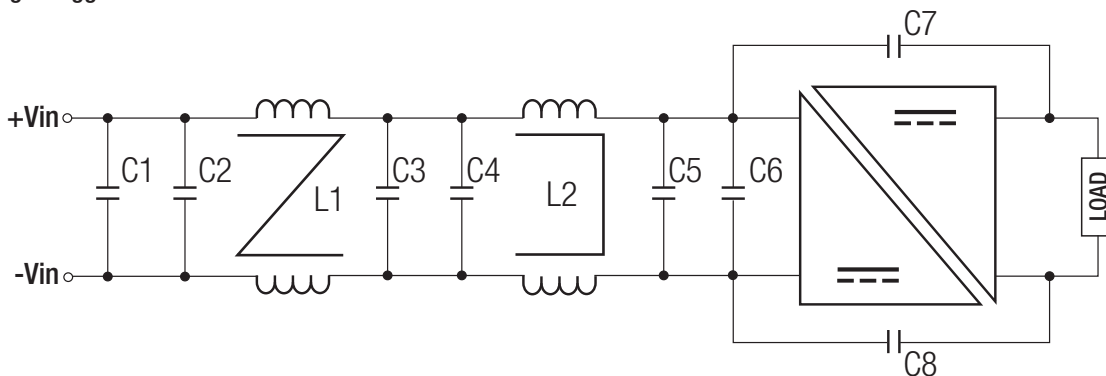
ESD Electrostatic discharge immunity test	$\pm 8\text{kV}$ Air Discharge, $\pm 6\text{kV}$ Contact Discharge	EN61000-4-2, Criteria A
Radiated, radio-frequency, electromagnetic field immunity test	10V/m	EN61000-4-3, Criteria A
Fast Transient and Burst Immunity	$\pm 2\text{kV}$	EN61000-4-4, Criteria A
Surge Immunity	$\pm 1\text{kV}$	EN61000-4-5, Criteria A
Immunity to conducted disturbances, induced by radio-frequency fields	10Vr.m.s	EN61000-4-6, Criteria A

EMC Filtering - Suggestions for EN55022 Class A



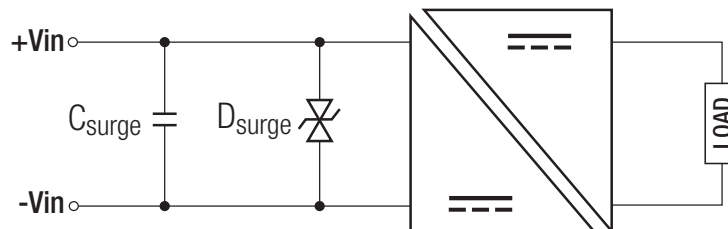
Model	C1	C2	L1
RS6-05xx	22 μF	N/A	1 μH CMC
RS6-12xx	4.7 μF		2.2 μH CMC
RS6-24xx		6.8 μH CMC	
RS6-48xx	2.2 μF	2.2 μF	10 μH CMC

EMC Filtering - Suggestions for EN55022 Class B



Model	C1	C2	L1	C3	C4	L2	C5	C6	C7	C8
RS6-05xx	22 μF	N/A	1 μH CMC	10 μF	N/A	200 μH CMC	10 μF	N/A	47pF	100pF
RS6-12xx	10 μF		6.8 μH CMC							
RS6-24xx	4.7 μF	10 μH CMC	4.7 μF	N/A	33pF	220pF				
RS6-48xx	2.2 μF	2.2 μF	22 μH CMC				2.2 μF	2.2 μF	600 μH CMC	1 μF

Surge Protection Circuit according to EN61000-4-5, Criteria A

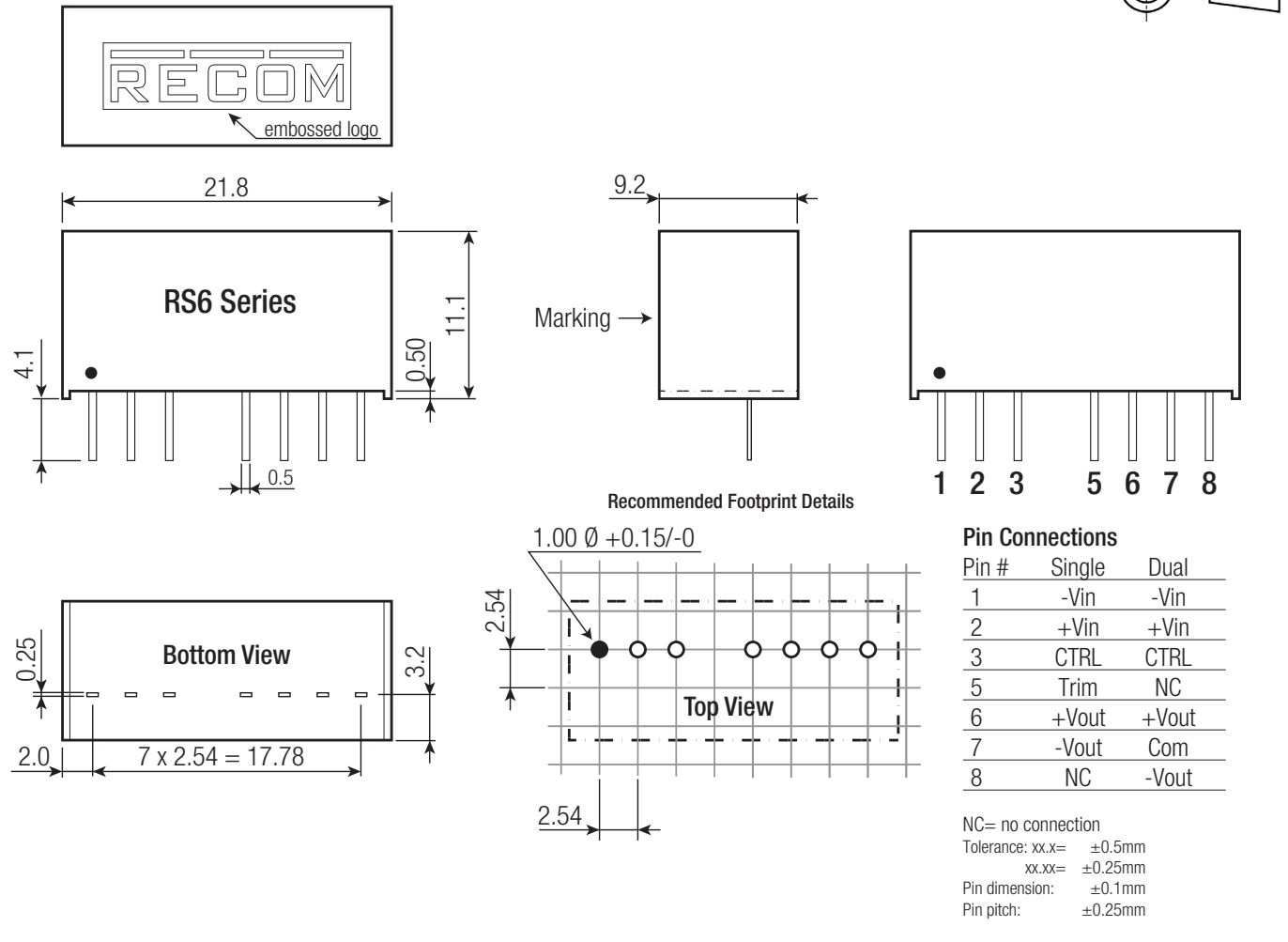


Input Voltage	Csurge	Dsurge	max. Surge Voltage
5VDC	100V, 220F E/Cap	TVS (P4SMAJ15CA)	$\pm 1\text{kVDC}$
12VDC			
24VDC		N/A	
48VDC			

Specifications (measured @ $t_a = 25^\circ\text{C}$, nominal input voltage, full load and after warm up unless otherwise specified)

DIMENSION and PHYSICAL CHARACTERISTICS		
Parameter	Type	Value
Material	Case Potting	non conductive plastic (UL94V-0) Epoxy (UL94V-0)
Package Dimension (LxWxH)		21.8 x 9.2 x 11.1mm
Package Weight		4.0g

Dimension Drawing (mm)



PACKAGING INFORMATION		
Packaging Dimension (LxWxH)	tube	520.0 x 18.2 x 11.2mm
Packaging Quantity		22pcs
Storage Temperature Range		-55°C to +125°C
Storage Humidity	non-condensing	95% RH max.

The product information and specifications are subject to change without prior notice. RECOM products are not authorized for use in safety-critical applications (such as life support) without RECOM's explicit written consent. A safety-critical application is defined as an application where a failure of a RECOM product may reasonably be expected to endanger or cause loss of life, inflict bodily harm or damage property. The buyer shall indemnify and hold harmless RECOM, its affiliated companies and its representatives against any damage claims in connection with the unauthorized use of RECOM products in such safety-critical applications.