

Features Dimmable LED Driver

- Low Cost 230VAC LED Power Supply
- 0-10V dimmable
- Active Power Factor Correction >0.9
- Designed to drive 15W-46W COB LEDs
- Terminal Block Input/Output with Cable Clamps
- Fully Protected (OLP, SCP, OCP, OTP)
- Suitable for Class I and Class II Luminaires

Description

These ErP-compliant COB LED drivers are available with three preset output currents: 350mA, 700mA and 1050mA. They are designed to drive COB (Chip On Board) high power LEDs with a forward voltage between 6V and 44VDC from a 230VAC supply (198-264VAC). They operate with efficiencies of up to 84%, feature active PFC and are fully protected against short circuit, output overvoltage, open-circuit and over-temperature conditions. The output current is dimmable over a 0%-100% range with a 0-10V external control voltage. The LED drivers are suitable for both independent and built-in installations and for installation inside furniture.

Selection Guide

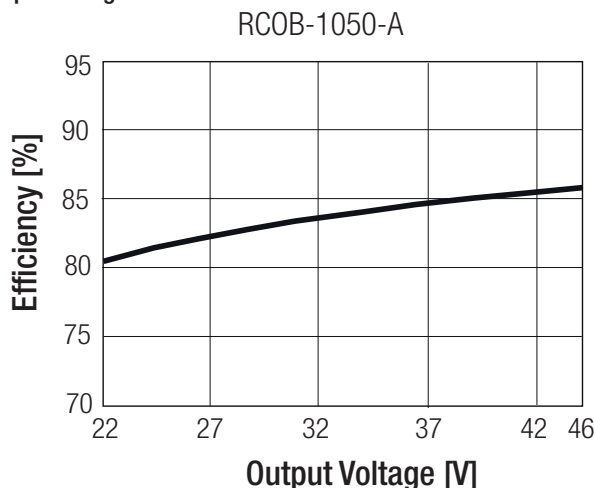
Part Number	Input Voltage Range [VAC]	Output Voltage Range [VDC]	Output Current [mA]	Efficiency typ. [%]	Max. Rated Power [W]
RCOB-350A	198-264	6-44	0-350	80	15
RCOB-700A	198-264	6-44	0-700	84	31
RCOB-1050A	198-264	6-44	0-1050	83	46

All LED Drivers may not be used without a load. They must be switched on the primary side only. Noncompliance may damage the LED or reduce its lifetime.

Specifications (measured @ ta= 25°C, 230VAC and rated load)

BASIC CHARACTERISTICS				
Parameter	Condition	Min.	Typ.	Max.
Input Voltage Range		198VAC		264VAC
Output Voltage Range	full load	6VDC		44VDC
absolute max. Output Voltage	full load			58VDC
Inrush Current	at 230VAC		5.5A / 10µs	
Start-up Time	at 230VAC		≤0.5 Second	
Input Frequency Range		47Hz		63Hz
Power Factor	full load, 230VAC		0.9	

Efficiency vs. Output Voltage



RECOM
AC/DC Converter

RCOB-A

Dimmable
Active PFC
Single Output



EN-61347-1 Compliant
EN-61347-2-13 Compliant
EN-55015 Compliant
EN-61547 Compliant
EN-61000-3-2 Compliant
EN-61000-3-3 Compliant

Specifications (measured @ $t_a = 25^\circ\text{C}$, 230VAC and rated load)

REGULATIONS

Parameter	Condition	Value
Output Current Accuracy	includes: line, load and tolerance	$\pm 6\%$ typ.

PROTECTION

Parameter	Condition	Value
Input Fuse	Standard	T1A
Short Circuit Protection (SCP)	230VAC / 50Hz	constant current limit at I_{nominal} and recovers after fault condition is removed
Over Load Protection (OLP)	230VAC / 50Hz	power limiting, if forward voltage of LED's is higher than 44VDC
Output Over Voltage Protection (OVP)	230VAC / 50Hz	58V max.
Output Over Current Protection (OCP)	230VAC / 50Hz	constant current source
Over Temperature Protection (OTP)		automatic recovery after cool down
Isolation Voltage		3kVAC / 1 minute
Surge Capacity	L-N	2kV
	L,N-FG	4kV

Maximum loading of automatic circuit breakers*

* @ 230VAC, 10hm, 90° phase angle and max. load

Power	Circuit Breaker	Circuit Breaker Current			
	Typ	10A	16A	20A	25A
$\geq 7\text{W}$	B	61	100	121	150
	C	121	164	221	291
$\geq 15\text{W}$	B	35	57	69	85
	C	57	87	109	134
$\geq 25\text{W}$	B	24	38	46	58
	C	38	62	74	92
$\geq 35\text{W}$	B	18	30	35	43
	C	29	46	55	69
$\geq 45\text{W}$	B	17	28	33	41
	C	24	39	47	57

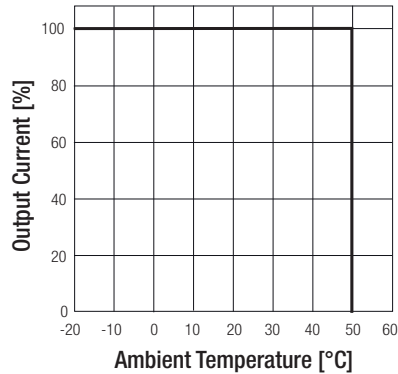
ENVIRONMENTAL

Parameter	Condition	Value
Operating Temperature Range max. Case Temperature Range	All Types	-20°C to $+50^\circ\text{C}$, Ambient
	RCOB-350A	80°C max., Ambient
	RCOB-700A	85°C max., Ambient
	RCOB-1050A	90°C max., Ambient
Operating Humidity	RCOB-1050A	45% to 85% RH
	RCOB-350 and RCOB-700A	5% to 85% RH, non condensing
MTBF	at $T_c = 70^\circ\text{C}$; Iout: 350mA	45×10^3 hours
	at $T_c = 70^\circ\text{C}$; Iout: 700mA, 1050mA	50×10^3 hours

continued on next page

Specifications (measured @ ta= 25°C, 230VAC and rated load)

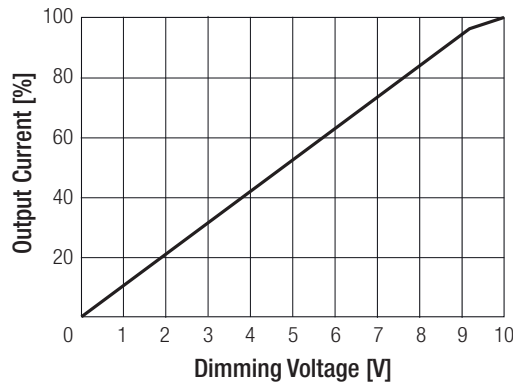
Derating Graph



DIMMING

Parameter	Condition	Value
DC Dimming	0-10V	0-100%

Dimming Curve



Output = 100%
if dimming input
not used (open)

SAFETY AND CERTIFICATIONS

Certificate Type		Standard
CE General Safety	compliant	EN-61347-1
CE Safety of AC supplied Control Gear for LED Modules	compliant	EN-61347-2-13
RoHS	compliant	RoHS 6/6
Certificate Type (Environmental)		Standard / Criterion
Electric Lighting, EMC Immunity	compliant	EN-61547
Electric Lighting, EMC Emissions	compliant	EN55015, Class B
Limits for Harmonic Emissions	compliant	EN-61000-3-2
EMC Compatability: Flicker and Voltage Variations	compliant	EN-61000-3-3
IP Rating		IP20

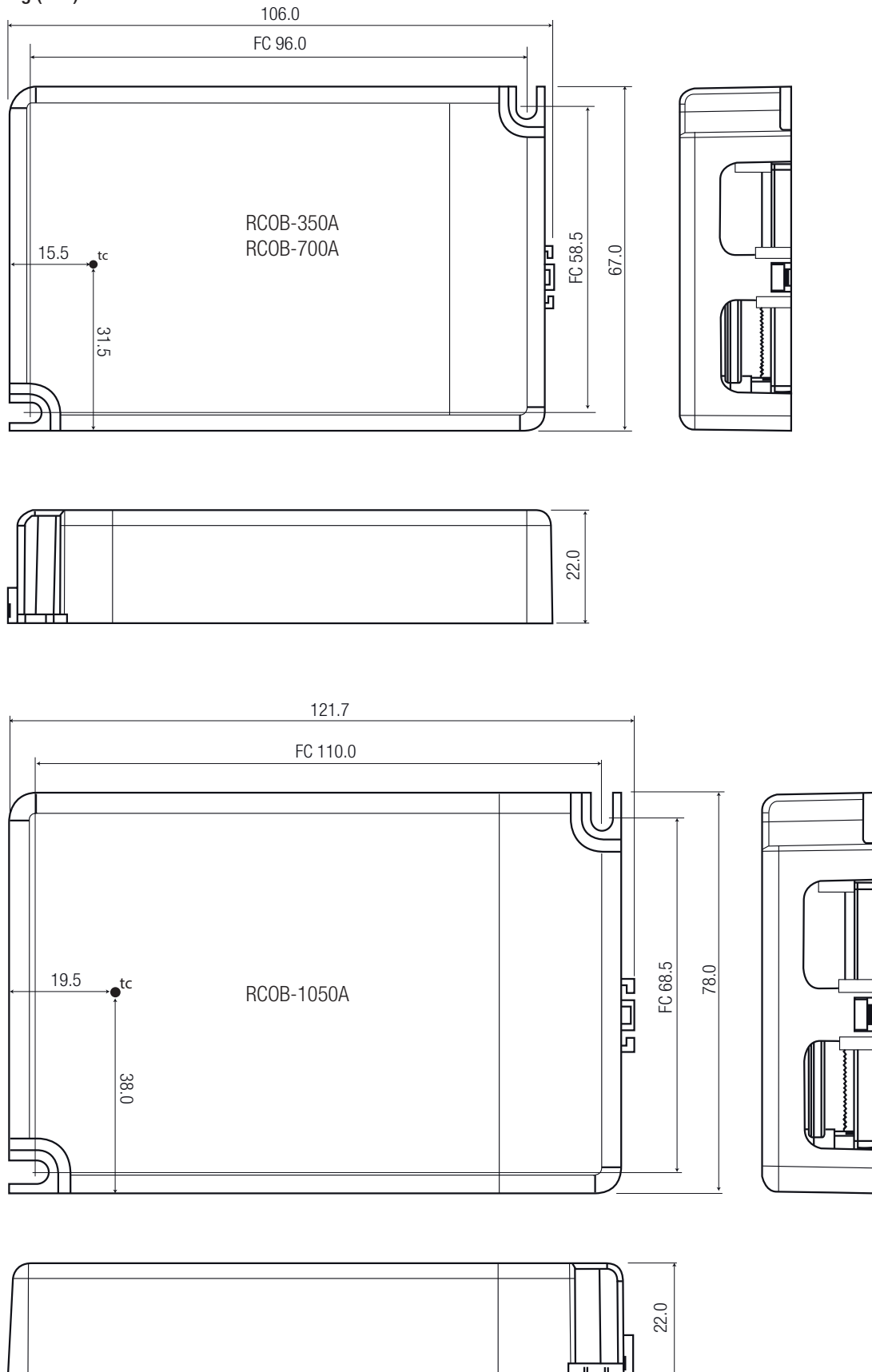
DIMENSION and PHYSICAL CHARACTERISTICS

Parameter	Type	Value
Case Material		integrated cable clamps, Plastic
Package Dimension (LxWxH)	RCOB-350A; RCOB-700A RCOB-1050A	106 x 67 x 22mm 121.7 x 78 x 22mm
Package Weight	RCOB-350A; RCOB-700A RCOB-1050A	130g 180g

continued on next page

Specifications (measured @ $t_a = 25^\circ\text{C}$, 230VAC and rated load)

Dimension Drawing (mm)

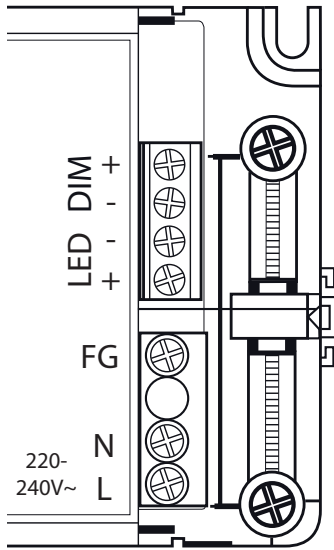


2 Mounting screws are included

continued on next page

Specifications (measured @ ta= 25°C, 230VAC and rated load)

Wiring Diagram



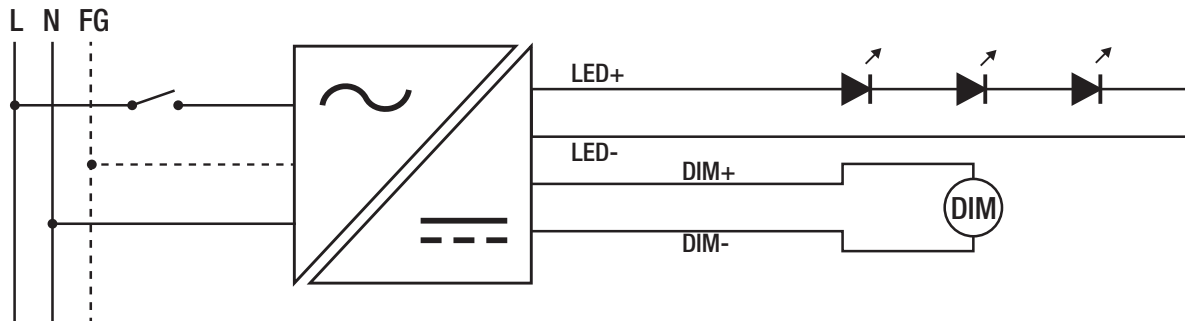
Screw Terminal Connection

Function	Type	Diameter
AC N	Screw Terminal	0.75mm ² - 1.5mm ²
AC L	Screw Terminal	0.75mm ² - 1.5mm ²
FG	Screw Terminal	0.75mm ² - 1.5mm ²
LED+	Screw Terminal	0.75mm ² - 1.5mm ²
LED-	Screw Terminal	0.75mm ² - 1.5mm ²
DIM-	Screw Terminal	0.75mm ² - 1.5mm ²
DIM+	Screw Terminal	0.75mm ² - 1.5mm ²

FC: fixing center
 tc: case temperature measuring point
 Tolerance: xx.x= ±0.5mm
 xx.xx=±0.35mm

INSTALLATION and APPLICATION INSTRUCTION

Standard Connection



PACKAGING INFORMATION

Parameter	Type	Value
Packaging Dimension (LxWxH)	Cardboard Box	180 x 140 x 220mm
Packaging Quantity		10pcs
Storage Temperature Range		-30° to +80°C, Ambient
Storage Humidity		30% - 95% RH

The product information and specifications are subject to change without prior notice. RECOM products are not authorized for use in safety-critical applications (such as life support) without RECOM's explicit written consent. A safety-critical application is defined as an application where a failure of a RECOM product may reasonably be expected to endanger or cause loss of life, inflict bodily harm or damage property. The buyer shall indemnify and hold harmless RECOM, its affiliated companies and its representatives against any damage claims in connection with the unauthorized use of RECOM products in such safety-critical applications.