



WR-112 Waveguide Gasket kit, CPR112 Grooved Flange, Non-Conductive

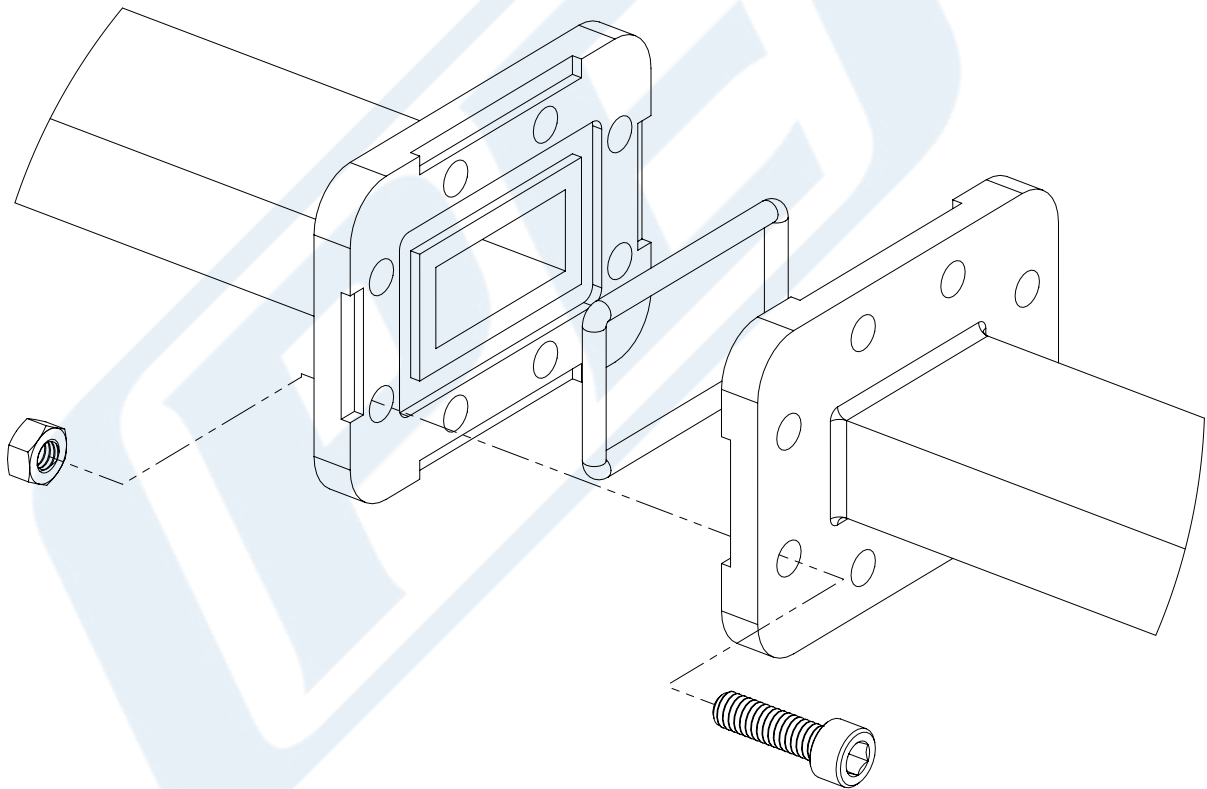
Waveguide Accessories Technical Data Sheet

PEWGK1009

Description

This is a gasket kit consisting of a non-conductive gasket, stainless steel screws, nuts, and washers to connect two waveguide flanges together. The PEWGK1009 is the kit made expressly for WR-112 CPR-112G waveguide flange. The gasket is made of Shore "A" 70 silicone elastomer. The screws, nuts and washers are made of stainless steel.

Pasternack has waveguide gaskets (both conductive and non-conductive), screws and other accessories that you need for your waveguides. Often people can forget to order items like screws or waveguide supports. Pasternack has a full line of waveguide accessories available for same day shipment so that you do not have to wait for weeks to get your system working.



Click the following link (or enter part number in "SEARCH" on website) to obtain additional part information including price, inventory and certifications: [WR-112 Waveguide Gasket kit, CPR112 Grooved Flange, Non-Conductive PEWGK1009](#)

