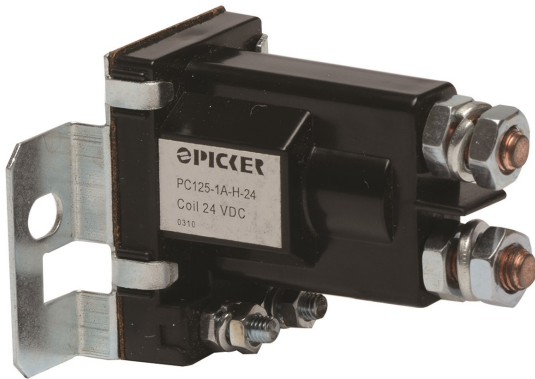


# 100 Amp D.C. Power Contactor

PC120



## FEATURES

- Direct Insert Mounting
- Contact Switching Capacity up to 40 Amps
- Internal Resistors Available
- RoHS Compliant
- Compatible with White Rogers/Stancor 120-9xx Series

Part Number	Duty Cycle	Terminal Type	Pole Form	Bracket Style	Coil Voltage D.C.*	Coil Resistance (Ohms) @ 25° C	Contact Material	Contact Rating (Amps) Inductive Load			Dimensions Inches			Weight (oz)
								Volt D.C.	Normally Open		Case			
									Continuous	Inrush	L	W	H	
PC120-901	Continuous	4	SPNO	Standard	12	16.0	Silver Alloy	12	100	400	2.125	2.875	3.253	6.0
PC120-902	Continuous	4	SPNO	Standard	15	20.8	Silver Alloy	15	100	400	2.125	2.875	3.253	6.0
PC120-903	Continuous	4	SPNO	Standard	18	37.0	Silver Alloy	18	100	400	2.125	2.875	3.253	6.0
PC120-904	Continuous	4	SPNO	Standard	24	64.0	Silver Alloy	24	100	400	2.125	2.875	3.253	6.0
PC120-905	Continuous	4	SPNO	Standard	36	160.0	Silver Alloy	36	100	400	2.125	2.875	3.253	6.0

\*Coil Voltages 6, 14, 48 are available as special order.

## CONTACT DATA

Volts (VDC)	Continuous (A)	Inrush (A)	Electric Life	Contact Material
12	80	400	1 X 10 <sup>4</sup>	Copper
12	100	400	5 X 10 <sup>4</sup>	Silver Alloy
36	100	400	2.5 X 10 <sup>4</sup>	Silver Alloy

## ORDERING INFORMATION

Example:	PC120	-901	-Z	H	-22	-C	388
Model:	<b>PC120-9xx</b>						
Coil Voltage:	<b>01:</b> 12; <b>02:</b> 15; <b>03:</b> 18; <b>04:</b> 24; <b>05:</b> 36 VDC						
Mounting Bracket Plating:	<b>Nil:</b> Bare Metal; <b>Z:</b> Zinc Plater						
Hardware:	<b>Nil:</b> None; <b>H:</b> Hardware Included						
Coil Terminal Length:	<b>Nil:</b> .451"; <b>22:</b> .22"						
Contact Material:	<b>Nil:</b> AgCdO; <b>C:</b> Copper						
Contact Termination:	<b>Nil:</b> .495"; <b>388:</b> .388"						

## DESIGN DATA

D.C. Type	Coil Rating	Operation in % of Nominal Coil Rating		Breakdown Voltages All Terminals—60 Hz RMS			Contact Material	Electrical Life		Mechanical life		Max Ambient °F
	Nominal Magnetic Coil Rating (Watts)	Pick-up	Max. State Operate	Opposite Polarity	Open Contacts Same Polarity	To Ground	Power	Operations at Rated Load	Operations per Minute	Operations at No Load	Operations per Minute	
120	8.1	75%	110%	500	500	500	Copper	10,000	2	100,000	30	150
							Silver Alloy	50,000	2	100,000	30	

**Power (approximate)**

— Continuous 8.1 Watts

**Terminations**Standard:

- Contacts: 5/16 - 24 studs, 495" min Length
- Coil: #10-32, 451" Min Length

Optional:

- Contacts: 5/16 - 24 studs, 495" min Length
- Coil: #10-32, 451" Min Length

**Hardware Torque Specifications**

- Contact Terminal\*: 45 - 55 inch-lbs
- Coil Terminal\*: 12 - 18 inch-lbs

\* Note: a back up wrench must be used to hold the bottom nut stationary

**Temperature Range**

- Continuous Duty: -20°F to 120°F

**Recommended Mounting**

- Coil Terminals Up or Horizontal

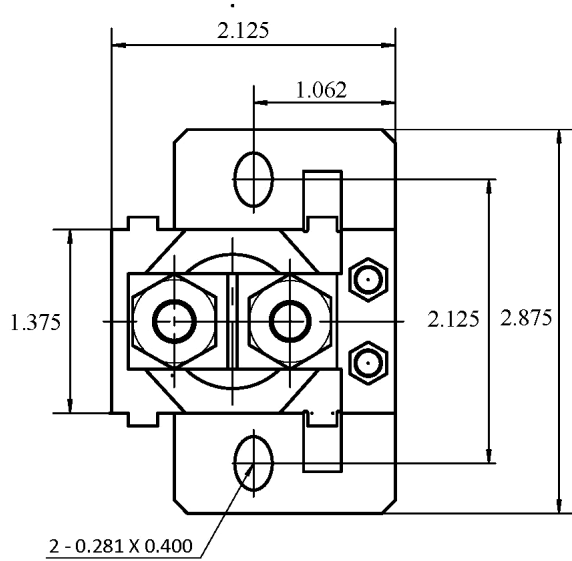
## COIL DATA

Coil Voltage (VDC)		Coil Power (mW)	Operate Voltage (VDC)	
Rated	Max	Resistance (Ohms ± 10%)	Intermittent	Continuous
		8.1 W Continuous		
6	6.9	4.0	4.02	4.5
12	13.2	16.0	8.04	9.0
14	15.4	23.0	9.38	10.5
15	16.5	26.0	10.05	11.25
24	26.4	64.0	16.08	18.0
36	39.6	160.0	24.12	27.0
48	52.8	256.0	32.16	36.0

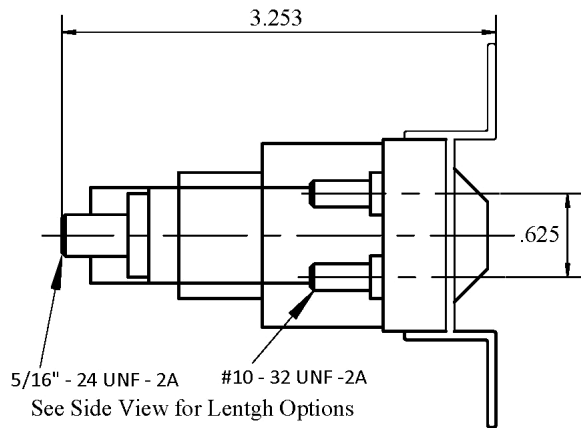
\*Special coils available upon request

DIMENSIONS inches (mm)

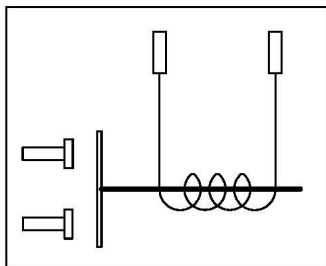
TERMINAL TYPE 4



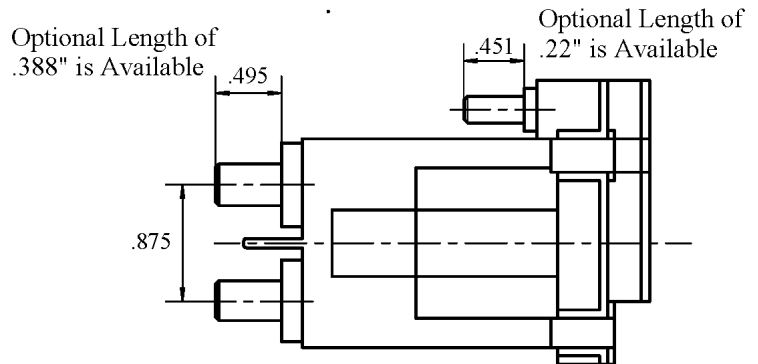
Relay (Top View)



Relay (Front View)



Wire Diagram 1A



Relay (Side View)