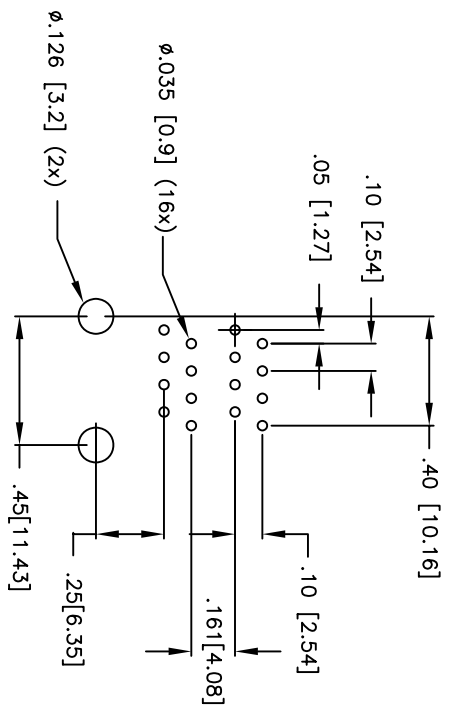
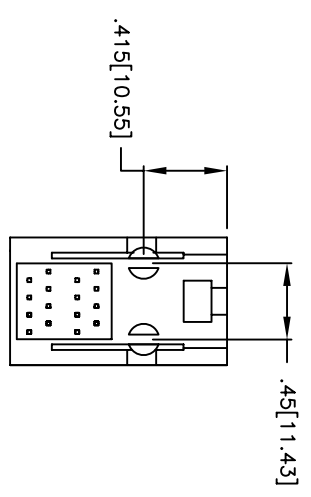
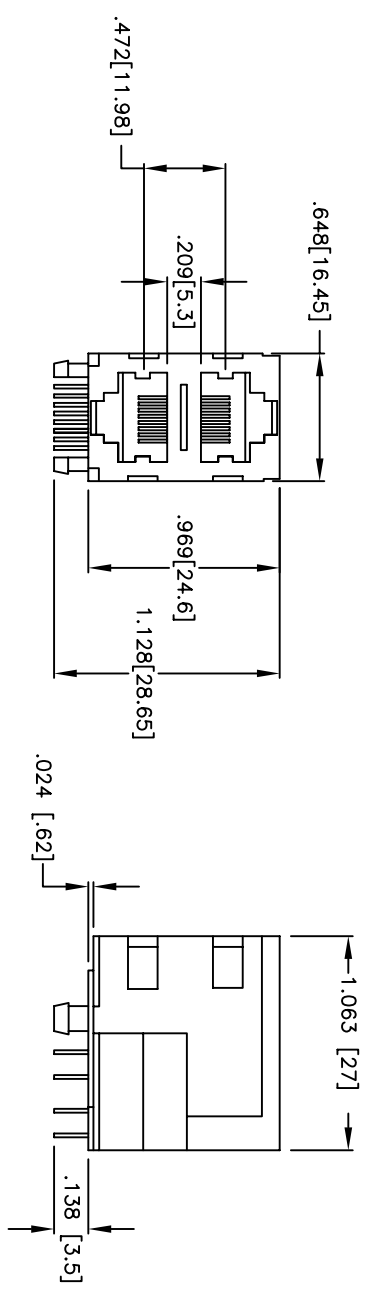


Rev	AWO #	Description	Date	Appr
-		RELEASED	1.19/06	

APPROVED: _____
 DATE: _____ TITLE: _____



**RECOMMENDED
 PCB LAYOUT (TOP VIEW)**

X	PLATING
0	15 μ m Gold
1	30 μ m Gold
2	50 μ m Gold

SPECIFICATIONS:
 Material: PBT, glass reinforced
 Insulator: thermoplastic, rated UL 94V-0
 Insulator color: Black
 Contacts: Phosphor Bronze
 Contact Plating:
 Tin over Copper underplate on tails
 Gold Flash over Nickel underplate on contact area.
 (See chart for thickness).
 Operating voltage: 150 VAC max
 Current rating: 1.5 Amps max
 Contact Resistance: 20 mohms max. Initial
 Insulation resistance: 500 Mohms min @ 500 VDC
 Dielectric withstanding voltage: 1000 VAC for 1 minut
 Temperature Rating:
 Operating temperature: -40°C to +125°C
 Environmental:
 Lead free, RoHS compliant.
 Recommended soldering temp: 235 for 5 sec.

UNLESS OTHERWISE SPECIFIED
 ALL DIMENSIONS ARE INCHES [MM]
 TOLERANCES: EXCEPT AS NOTED
 INCHES HOLES
 .X ± .10 Ø.X ± .10
 .XX ± .020 Ø.XXX ± .015
 .XXX ± .015 Ø.XXXX ± .010
 APPROVALS DATE

ADAM TECH
 909 Rahway Avenue, Union, NJ 07083
 Phone: 908-687-5000 Fax: 908-687-5710
 MODULAR JACK, 2 PORT, 8P8C STACKED
 PCB

DRAWN	SS	1/19/06	SIZE	PART NO.	REV.
CHECKED			X	MTJG-2-88JX1	
APPROVED			REF:	SCALE: NTS	SHEET 1 OF 1

6 5 4 3 2 1

A B C D A B C D