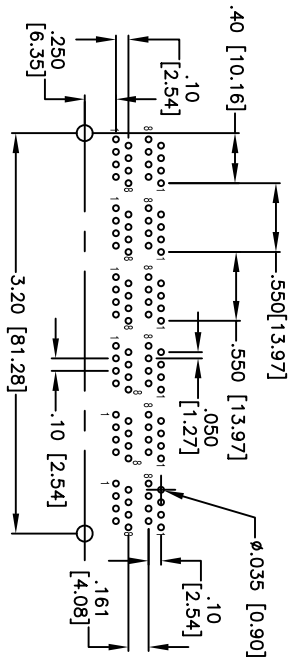
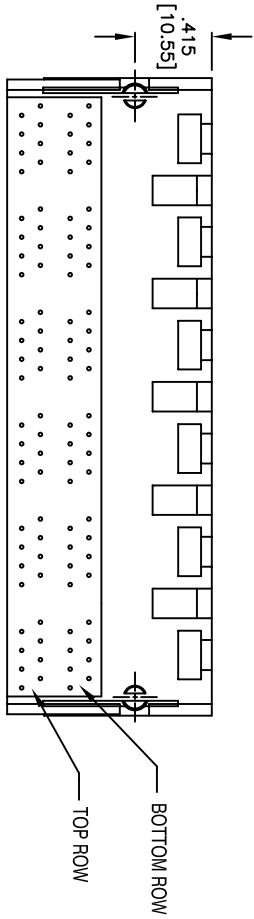
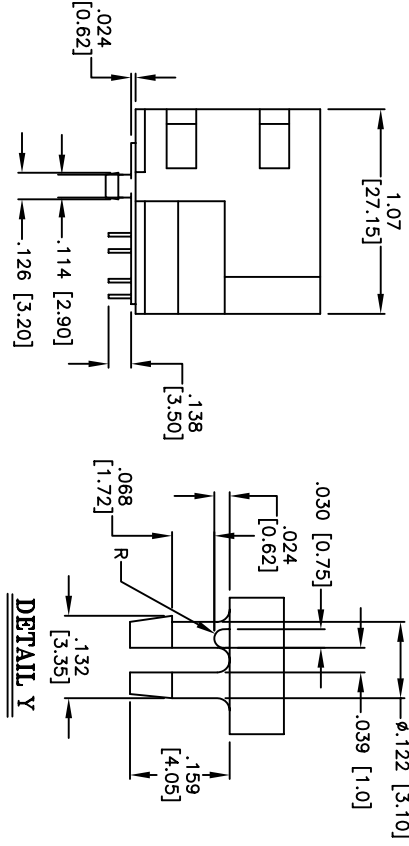
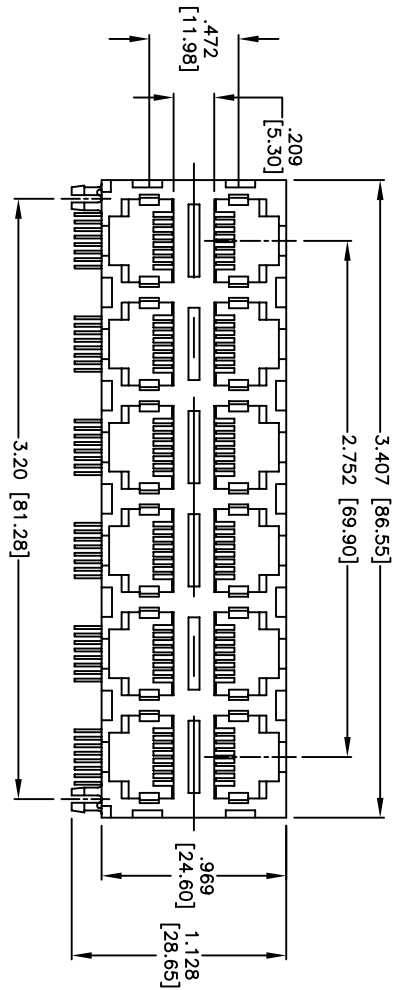


Rev	AWO #	Description	Date	Appr
-		RELEASED	11/29/07	

APPROVED: _____
 DATE: _____ TITLE: _____



RECOMMENDED PCB LAYOUT

SPECIFICATIONS:

- Material: PBT, glass reinforced thermoplastic, rated UL 94V-0
- Insulator color: Black
- Contact: Phosphor Bronze
- Contact Plating:
- Gold Flash over Nickel underplate on contact area, Tin over Copper underplate on tails
- (See chart for thickness).
- Electrical:
- Operating voltage: 150 VAC max
- Current rating: 1.5 Amps max
- Contact Resistance: 20 mohms max. initial
- Insulation resistance: 500 Mohms min @ 500 VDC
- Dielectric withstanding voltage: 1000 VAC for 1 minut
- Temperature Rating:
- Operating temperature: -40°C to +125°C
- Environmental:
- Lead free, RoHS compliant.
- Recommended soldering temp: 235°C for 5 sec.

X	PLATING
0	15 µin Gold
1	30 µin Gold
2	50 µin Gold

UNLESS OTHERWISE SPECIFIED
 ALL DIMENSIONS ARE INCHES [MM]
 TOLERANCES: EXCEPT AS NOTED

INCHES	HOLES
.X ± .10	Ø.X ± .10
.XX ± .020	Ø.XXX ± .015
.XXX ± .015	Ø.XXX ± .010

APPROVALS

DRAWN	SHIREN	DATE
		11/29/07

ADAM TECH
 909 Rahway Avenue, Union, NJ 07083
 Phone: 908-687-5000 Fax: 908-687-5710

SIZE	PART NO.	REV.
X	MTJG-12-88JX1	

TITLE: 12 PORT GANGED STACKED JACK
 REF: SCALE: NTS SHEET 1 OF 1