

AC/DC Digital Power Controller for Dimmable LED Drivers

1.0 Features

- Isolated AC/DC offline 100V_{AC} LED driver
- Line frequency ranges from 45 Hz to 66 Hz
- Intelligent wall dimmer detection
 - » Leading-edge dimmer
 - » No-dimmer detected
 - » Unsupported dimmer
- Hybrid dimming scheme
- Wide dimming range from 1% up to 100%
- No visible flicker
- Resonant control to achieve high efficiency, 85% without dimmer
- Temperature compensated LED current
- Small size design
 - » Small size input bulk capacitor
 - » Small size output capacitor
 - » Small transformer
- Primary-side sensing eliminates the need for opto-isolator feedback and simplifies design
- Tight LED current regulation $\pm 5\%$
- Fast start-up, typically 10 μ A start-up current
- Hot-plug LED module support
- Multiple protection features:
 - » LED open circuit protection
 - » Single-fault protection
 - » Over-current protection
 - » LED short circuit protection
 - » Current sense resistor short circuit protection
 - » Over-temperature protection
 - » Input over-voltage protection
- Up to 10W output power

2.0 Description

The iW3602-00 is a high performance AC/DC offline power supply controller for dimmable LED luminaires, which uses advanced digital control technology to detect the dimmer type and phase. The dimmer conduction phase controls the LED brightness. The LED brightness is modulated by PWM-dimming. The iW3602-00's unique digital control technology eliminates visible flicker.

The iW3602-00 can operate with all dimmer schemes including: leading-edge dimmer, as well as other dimmer configurations such as R-type, or R-L type. When a dimmer is not present, the controller can automatically detect that there is no dimmer.

The iW3602-00 operates in a quasi-resonant mode to provide high efficiency. The iW3602-00 provides a number of key built-in features. The iW3602-00 uses Dialog's advanced primary-side sensing technology to achieve excellent line and load regulation without secondary feedback circuitry. In addition, the iW3602-00's pulse-by-pulse waveform analysis technology allows accurate LED current regulation. The iW3602-00 maintains stability over all operating conditions without the need for loop compensation components. Therefore, the iW3602-00 minimizes external component count, simplifies EMI design and lowers overall bill of materials cost.

3.0 Applications

- Dimmable LED luminaires
- Optimized for 3W to 10W output power



AC/DC Digital Power Controller for Dimmable LED Drivers

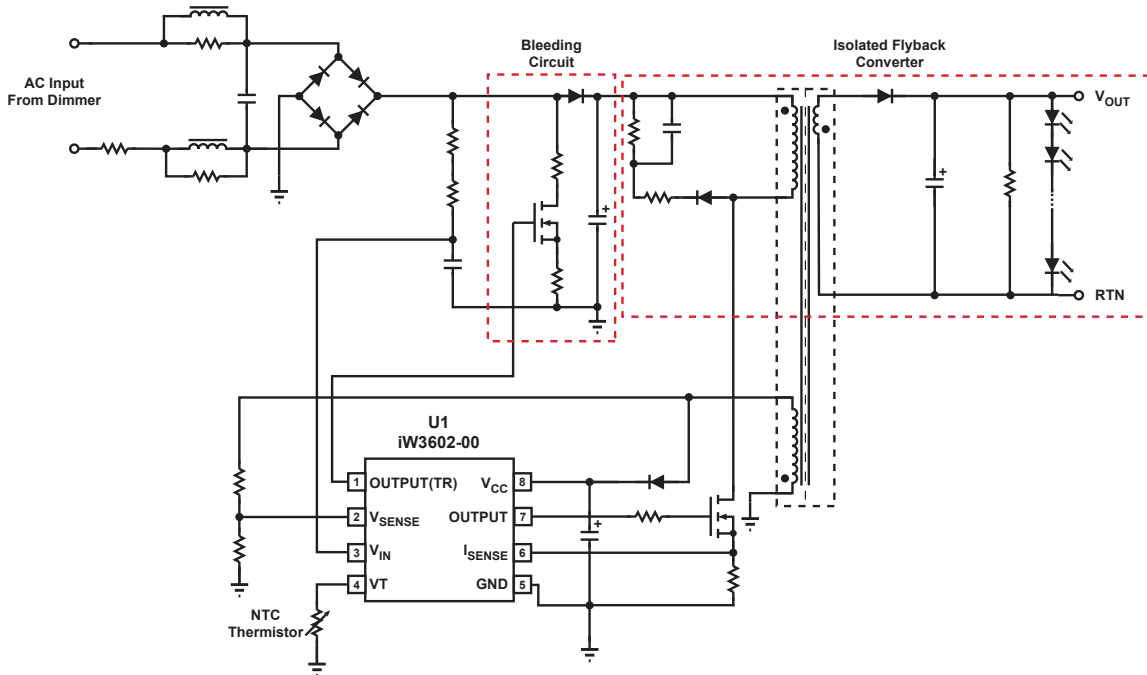


Figure 3.1 : iW3602-00 Typical Application Circuit

4.0 Pinout Description

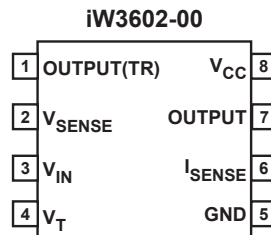


Figure 4.1: 8-Lead SOIC-8 Package

| Pin # | Name | Type | Pin Description |
|-------|--------------------|--------------|--|
| 1 | OUTPUT(TR) | Output | Gate drive for bleeder MOSFET switch |
| 2 | V _{SENSE} | Analog Input | Auxiliary voltage sense (used for primary side regulation and ZVS) |
| 3 | V _{IN} | Analog Input | Rectified AC line voltage sense |
| 4 | V _T | Analog Input | External power limit and shutdown control |
| 5 | GND | Ground | Ground |
| 6 | I _{SENSE} | Analog Input | Primary current sense (used for cycle-by-cycle peak current control and limit) |
| 7 | OUTPUT | Output | Gate drive for main MOSFET switch |
| 8 | V _{CC} | Power Input | Power supply for control logic and voltage sense for power-on reset circuitry |

AC/DC Digital Power Controller for Dimmable LED Drivers

5.0 Absolute Maximum Ratings

Absolute maximum ratings are the parameter values or ranges which can cause permanent damage if exceeded. For maximum safe operating conditions, refer to Electrical Characteristics in Section 6.0.

| Parameter | Symbol | Value | Units | |
|--|---|----------------------|------------------|--------------------|
| DC supply voltage range (pin 8, $I_{CC} = 20\text{mA max}$) | V_{CC} | -0.3 to 18 | V | |
| DC supply current at V_{CC} pin | I_{CC} | 20 | mA | |
| OUTPUT (pin 7) | | -0.3 to 18 | V | |
| OUTPUT(TR) (pin 1) | | -0.3 to 18 | V | |
| V_{SENSE} input (pin 2, $I_{Vsense} \leq 10\text{ mA}$) | | -0.7 to 4.0 | V | |
| V_{IN} input (pin 3) | | -0.3 to 18 | V | |
| I_{SENSE} input (pin 6) | | -0.3 to 4.0 | V | |
| V_T input (pin 4) | | -0.3 to 4.0 | V | |
| Power dissipation at $T_A \leq 25^\circ\text{C}$ | P_D | 526 | mW | |
| Maximum junction temperature | T_{JMAX} | 150 | $^\circ\text{C}$ | |
| Operating junction temperature | T_{JOPT} | -40 to 150 | $^\circ\text{C}$ | |
| Storage temperature | T_{STG} | -65 to 150 | $^\circ\text{C}$ | |
| Thermal Resistance | Junction-to-PCB Board Surface Temperature | ψ_{JB} (Note 1) | 70 | $^\circ\text{C/W}$ |
| | Junction-to-Ambient [Still Air] | θ_{JA} | 160 | |
| ESD rating per JEDEC JESD22-A114 | | $\pm 2,000$ | V | |
| Latch-up test per JESD78A | | ± 100 | mA | |

Notes:

Note 1. ψ_{JB} [Psi Junction to Board] provides an estimation of the die junction temperature relative to the PCB [Board] surface temperature. This data is measured at the ground pin (pin 5) without using any thermal adhesives. For iW3602-00 (with exposed pad), $\psi_{JB} = 70^\circ\text{C/W}$. See Section 9.13 for more information.

AC/DC Digital Power Controller for Dimmable LED Drivers

6.0 Electrical Characteristics

$V_{CC} = 12V$, $-40^{\circ}C \leq T_A \leq 85^{\circ}C$, unless otherwise specified (Note 1)

| Parameter | Symbol | Test Conditions | Min | Typ | Max | Unit |
|--|------------------|---|-------|-------|-------|-----------|
| V_{IN} SECTION (Pin 3) | | | | | | |
| Start-up current | I_{INST} | $V_{IN} = 10V$, $C_{VCC} = 10\mu F$ | | 10 | 15 | μA |
| Input impedance | Z_{IN} | $T_A = 25^{\circ}C$ | | 2.5 | | $k\Omega$ |
| V_{IN} Range | V_{IN} | | 0 | | 1.8 | V |
| V_{SENSE} SECTION (Pin 2) | | | | | | |
| Input leakage current | $I_{IN(Vsense)}$ | $V_{SENSE} = 2V$ | | | 1 | μA |
| Nominal voltage threshold | $V_{SENSE(NOM)}$ | $T_A = 25^{\circ}C$, negative edge | 1.523 | 1.538 | 1.553 | V |
| Output OVP threshold | $V_{SENSE(MAX)}$ | $T_A = 25^{\circ}C$, negative edge | 1.65 | 1.7 | 1.75 | V |
| OUTPUT SECTION (Pin 7) | | | | | | |
| Output low level ON-resistance | $R_{DS(ON)LO}$ | $I_{SINK} = 5mA$ | | 30 | | Ω |
| Output high level ON-resistance | $R_{DS(ON)HI}$ | $I_{SOURCE} = 5mA$ | | 150 | | Ω |
| Rise time (Note 2) | t_R | $T_A = 25^{\circ}C$, $C_L = 330pF$ 10% to 90% | | 150 | | ns |
| Fall time (Note 2) | t_F | $T_A = 25^{\circ}C$, $C_L = 330 pF$ 90% to 10 | | 30 | | ns |
| Maximum switching frequency (Note 3) | $f_{SW(MAX)}$ | | | 200 | | kHz |
| V_{CC} SECTION (Pin 8) | | | | | | |
| Maximum operating voltage | $V_{CC(MAX)}$ | | | | 16 | V |
| Start-up threshold | $V_{CC(ST)}$ | V_{CC} rising | 11 | 12 | 13 | V |
| Undervoltage lockout threshold | $V_{CC(UVL)}$ | V_{CC} falling | 7 | 7.5 | 8 | V |
| Operating current | I_{CCQ} | $C_L = 330pF$, $V_{SENSE} = 1.5V$ | | 4.1 | 4.7 | mA |
| Zener diode clamp voltage | $V_{Z(CLAMP)}$ | $T_A = 25^{\circ}C$, $I_Z = 5mA$ | 18.5 | 19 | 20.5 | V |
| I_{SENSE} SECTION (Pin 6) | | | | | | |
| Over-current limit threshold | V_{OCP} | | 1.83 | 1.89 | 1.95 | V |
| I_{SENSE} short protection reference | V_{RSNS} | | | 0.16 | | V |
| CC regulation threshold limit (Note 4) | V_{REG-TH} | | | 1.8 | | V |
| V_T SECTION (Pin 4) | | | | | | |
| Power limit high threshold (Note 4) | $V_{P-LIM(HI)}$ | | | 0.56 | | V |
| Power limit low threshold (Note 4) | $V_{P-LIM(LO)}$ | | | 0.44 | | V |

AC/DC Digital Power Controller for Dimmable LED Drivers

6.0 Electrical Characteristics (cont.)

$V_{CC} = 12V$, $-40^{\circ}C \leq T_A \leq 85^{\circ}C$, unless otherwise specified (Note 1)

| Parameter | Symbol | Test Conditions | Min | Typ | Max | Unit |
|-----------------------------------|-------------------|--------------------|-----|------|-----|----------|
| Shutdown threshold (Note 4) | V_{SH-TH} | | | 0.22 | | V |
| Input leakage current | $I_{IN(VT)}$ | $V_T = 1.0V$ | | | 1 | μA |
| Pull-up current source | I_{VT} | | 90 | 100 | 110 | μA |
| OUTPUT(TR) SECTION (Pin 1) | | | | | | |
| Output low level ON-resistance | $R_{DS-TR(ON)LO}$ | $I_{SINK} = 5mA$ | | 100 | | Ω |
| Output high level ON-resistance | $R_{DS-TR(ON)HI}$ | $I_{SOURCE} = 5mA$ | | 200 | | Ω |

Notes:

- Note 1. Adjust V_{CC} above the start-up threshold before setting at 12V.
- Note 2. These parameters are not 100% tested. They are guaranteed by design and characterization.
- Note 3. Operating frequency varies based on the line and load conditions, see Theory of Operation for more details.
- Note 4. These parameters refer to digital preset values. They are not 100% tested.

AC/DC Digital Power Controller for Dimmable LED Drivers

7.0 Typical Performance Characteristics

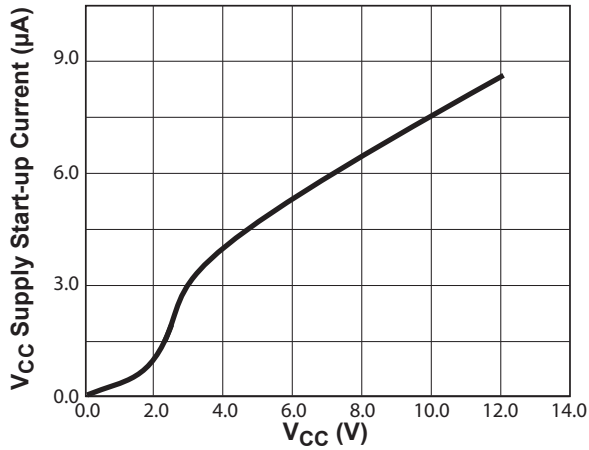


Figure 7.1 : V_{CC} vs. V_{CC} Supply Start-up Current

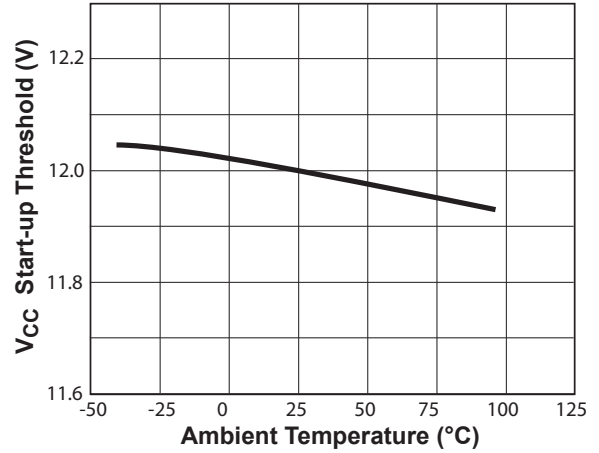


Figure 7.2 : Start-Up Threshold vs. Temperature

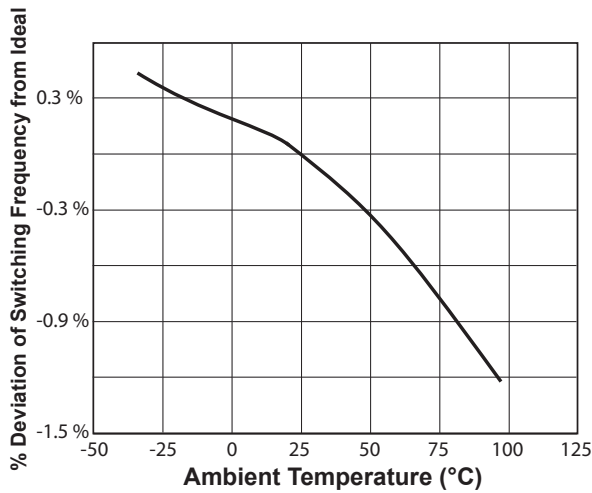


Figure 7.3 : % Deviation of Switching Frequency to Ideal Switching Frequency vs. Temperature

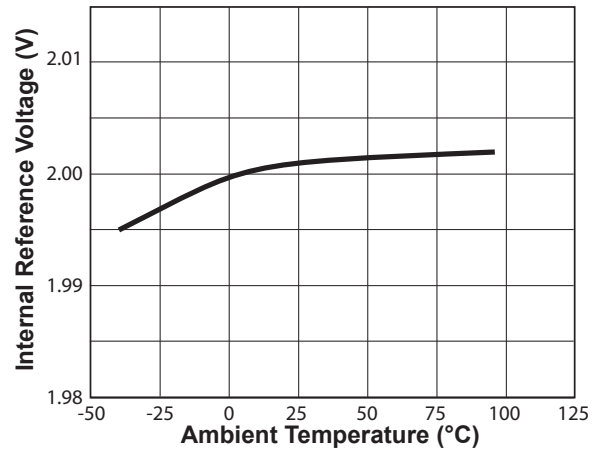


Figure 7.4 : Internal Reference vs. Temperature

AC/DC Digital Power Controller for Dimmable LED Drivers

8.0 Functional Block Diagram

The iW3602-00 combines two functions: 1) wall dimmer type detection and dimmer phase measurement; and 2) output LED light dimming. It uses digital control technology, which consists of: 1) chopping circuit, which helps to increase the power factor and serves as a dynamic impedance to load the dimmer; 2) primary side controlled isolated flyback converter. The iW3602-00 provides a low cost dimming solution which enables LED bulb to be used with most of the common wall dimmers. This allows LED bulbs to directly replace conventional incandescent bulbs with ease. The iW3602 can detect and operate with leading-edge, and trailing-edge dimmers as well as no-dimmer. The controller operates in critical discontinuous conduction mode (CDCM) to achieve high power efficiency and minimum EMI. It incorporates proprietary primary-feedback constant current control technology to achieve tight LED current regulation.

Figure 3.1 shows a typical iW3602-00 application schematic. Figure 8.1 shows the functional block diagram. The advanced digital control mechanism reduces system design time and improves reliability. The start-up algorithm makes sure the V_{CC} supply voltage is ready before powering up the IC.

The iW3602-00 provides multiple protection features for current limit, over-voltage protection, and over temperature protection. The V_T function can provide over-temperature compensation for the LED. The external NTC senses the LED temperature. If the V_T pin voltage is below $V_{P-LIM(HI)}$, the controller reduces the LED current. If the V_T pin voltage is below V_{SH-TH} then the controller turns off.

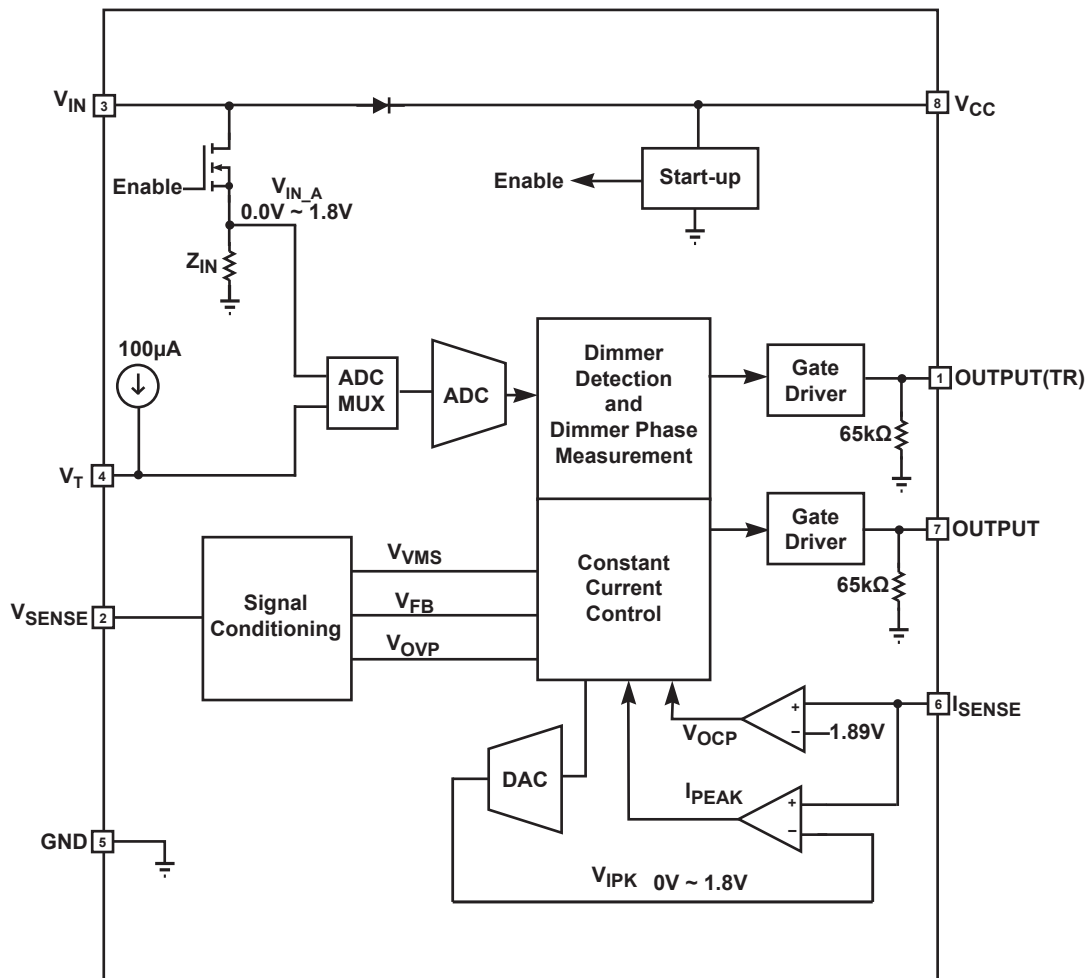


Figure 8.1 : iW3602-00 Functional Block Diagram

AC/DC Digital Power Controller for Dimmable LED Drivers

9.0 Theory of Operation

The iW3602-00 is a high performance AC/DC off-line power supply controller for dimmable LED luminaires, which uses advanced digital control technology to detect the dimmer type and dimmer phase to control the LED brightness. A PWM-dimming scheme is used to modulate the LED current with a dimming frequency of 900Hz at low dimming levels. iW3602-00 can work with all types of leading-edge dimmers, as well as other dimmer configurations such as R-type or R-L type without visible flicker. The controller can also work when no dimmer is connected.

The iW3602-00 operates in a quasi-resonant mode to provide high efficiency and to simplify EMI design. In addition, the iW3602-00 includes a number of key built-in protection features. Using Dialog's state-of-the-art primary-feedback technology, the iW3602-00 removes the need for secondary feedback circuitry while achieving excellent line and load regulation. iW3602-00 also eliminates the need for loop compensation components while maintaining stability over all operating conditions. Pulse-by-pulse waveform analysis allows for accurate LED current regulation. Hence, the iW3602-00 can provide high performance dimming solutions, with minimal external component count and low bill of materials cost.

9.1 Pin Detail

Pin 1 – OUTPUT(TR)

Gate drive for the bleeder circuit MOSFET switch.

Pin 2 – V_{SENSE}

Sense signal input from auxiliary winding. This pin provides the secondary voltage feedback used for output regulation.

Pin 3 – V_{IN}

Rectified line voltage sense input. V_{IN} is used for dimmer phase detection. The input line voltage is scaled down using a resistor network. It is used for input under-voltage and over-voltage protection. This pin also provides the supply current to the IC during start-up.

Pin 4 – V_T

External power limit and shutdown control. If the shutdown control is not used, this pin should be connected to GND via a resistor.

Pin 5 – GND

Ground.

Pin 6 – I_{SENSE}

Primary current sense. Used for cycle by cycle peak current control.

Pin 7 – OUTPUT

Gate drive for the external MOSFET switch.

Pin 8 – V_{CC}

Power supply for the controller during normal operation. The controller starts up when V_{CC} reaches 12V (typical) and shuts down when the V_{CC} voltage is below 7.5 V (typical).

High-frequency transients and ripples can be easily generated on the V_{CC} pin due to power supply switching transitions, and line and load disturbances. Excess ripples and noises on V_{CC} may cause the iW3602-00 to function undesirably, hence a decoupling capacitor should be connected between the V_{CC} pin and GND. A ceramic capacitor of minimum 0.1uF connected as close as possible to the V_{CC} pin is suggested.

9.2 Wall Dimmer Detections

Dimmer detection, or discovery, takes place during the third cycle after start-up. The controller determines whether a dimmer exists, or there is a leading-edge dimmer.

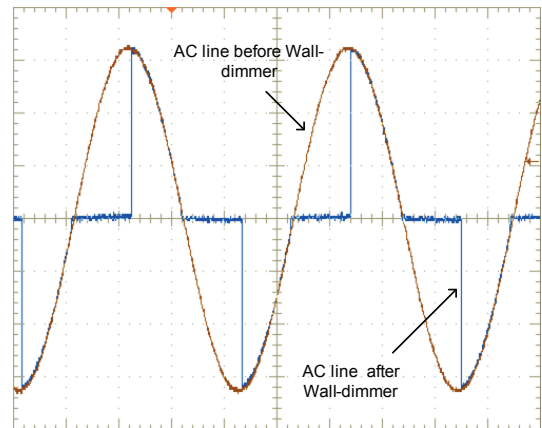


Figure 9.1 : Leading-Edge Wall Dimmer Waveforms

V_{CROSS} is internally generated by comparing the digitized V_{IN} signal to the threshold of 0.14V. The V_{IN} period (t_{PERIOD}) is measured between two consecutive rising edge zero-crossings. t_{CROSS} is generated by the internal digital block (refer to Figure 9.2); when V_{IN,A} is higher than 0.14V t_{CROSS} is set to high and when V_{IN,A} falls below 0.14V t_{CROSS} is reset to zero. If t_{CROSS} is much shorter than the V_{IN} period then a dimmer is detected. Using filtered derivatives the

AC/DC Digital Power Controller for Dimmable LED Drivers

controller decides which type of dimmer is present. A large positive derivative value indicates a leading edge dimmer, then the controller enters the leading-edge dimmer mode; otherwise it enters no dimmer mode.

During the dimmer detection stage, the OUTPUT(TR) is kept high to turn on the switching FET in the bleeding circuit, creating a resistive load for the wall dimmer.

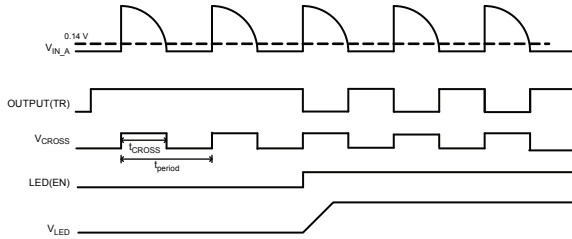


Figure 9.2 : Dimmer Detection

9.3 Dimmer Tracking and Phase Measurements

The dimmer detection algorithm and the dimmer tracking algorithm both depend on an accurate input voltage period measurement. The V_{IN} period is measured during the second cycle of the dimmer detection process and is latched for use thereafter. Using the measured V_{IN} period in subsequent calculations rather than a constant allows for automatic 50/60Hz operation and allows for a 10% frequency variation.

The phase measurement starts when V_{IN} exceeds the rising threshold until V_{IN} falls below the falling threshold.

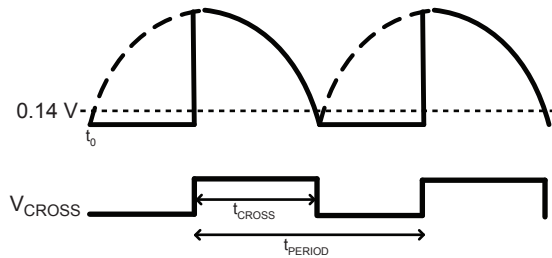


Figure 9.3 : Dimmer Phase Measurement

The dimmer phase is calculated as:

$$\text{Dimmer Phase} = \frac{t_{CROSS}}{t_{PERIOD}} \tag{9.1}$$

The calculated dimmer phase is used to generate the signal D_{RATIO} , which determines LED current. If the dimmer phase is less than 0.14 then the D_{RATIO} is clamped at 0.14; if the dimmer phase is greater than 0.7 then D_{RATIO} is clamped at 1.0; otherwise D_{RATIO} is calculated by equation 9.2.

$$D_{RATIO} = \text{Dimmer Phase} \times K_1 - K_2 \tag{9.2}$$

Where, K_1 is set to 1.768 and K_2 is set to 0.238.

Using $V_{Isense(NOM)}$ to represent the nominal 100% LED current, the V_{Isense} , which modulates the output LED current, is controlled by:

$$V_{Isense} = V_{Isense(NOM)} \times D_{RATIO} \tag{9.3}$$

When D_{RATIO} is 1, the converter outputs 100% of nominal power to the LED. If D_{RATIO} is 0.01, the converter outputs 1% of nominal power to the LED.

9.4 Bleeding Operation

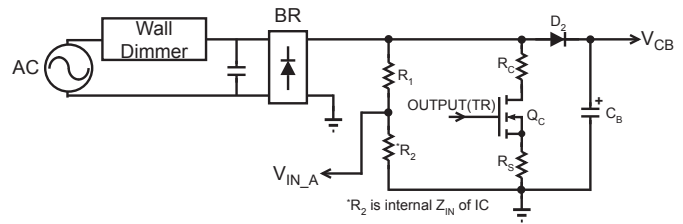


Figure 9.4 : Bleeding Schematic

A bleeding circuit provides the dynamic impedance for the dimmer and builds the energy to the LED power converter. It consists of Q_C , R_C , R_S , and D_2 .

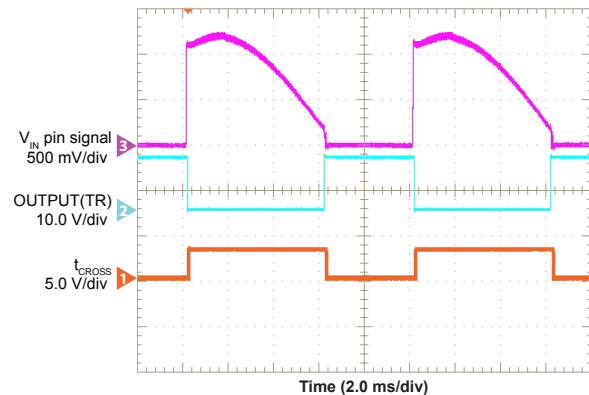


Figure 9.5 : Signals of Bleeding Circuit

Q_C is always on when t_{CROSS} is low and Q_C is always off when t_{CROSS} is high.

9.5 Start-up

Prior to start-up the V_{IN} pin charges up the V_{CC} capacitor through a diode between V_{IN} and V_{CC} . When V_{CC} is fully charged to a voltage higher than the start-up threshold $V_{CC(ST)}$, the ENABLE signal becomes active and enables the

AC/DC Digital Power Controller for Dimmable LED Drivers

control logic, shown by Figure 9.6. When the control logic is enabled, the controller enters the configuration mode, where dimmer type and AC line period are measured. During the configuration mode, which is implemented during the first 3 half AC cycles, OUTPUT(TR) is kept high to determine the dimmer type and measure the AC line period. After the configuration mode the constant current stage is enabled and the output voltage starts to ramp up. When the output voltage is above the forward voltage of the LED, the controller begins to operate in constant output current mode.

An adaptive soft-start control algorithm is applied during start-up state, where the initial output pulses are short and gradually get wider until the full pulse width is achieved. The peak current is limited cycle by cycle by the I_{PEAK} comparator.

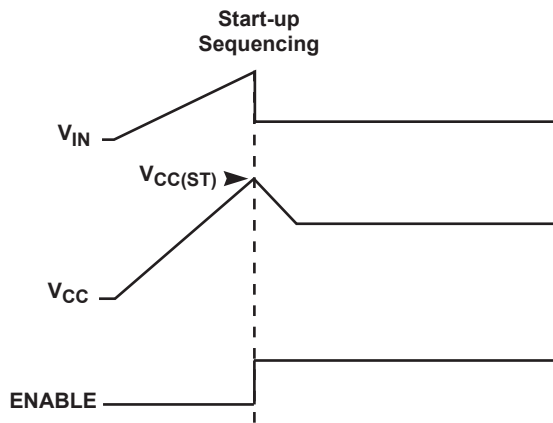


Figure 9.6 : Start-up Sequencing Diagram

9.6 Understanding Primary Feedback

Figure 9.7 illustrates a simplified flyback converter. When the switch Q₁ conducts during t_{ON}(t), the current i_g(t) is directly drawn from the rectified v_g(t). The energy E_g(t) is stored in the magnetizing inductance L_M. The rectifying diode D₁ is reversely biased and the load current I_O is supplied by the secondary capacitor C_O. When Q₁ turns off, D₁ conducts and the stored energy E_g(t) is delivered to the output.

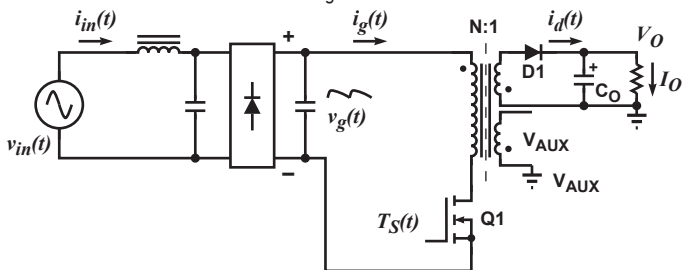


Figure 9.7 : Simplified Flyback Converter

In order to tightly regulate the output voltage, the information about the output voltage and load current needs to be

accurately sensed. In the DCM flyback converter, this information can be read via the auxiliary winding or the primary magnetizing inductance (L_M). During the Q₁ on-time, the load current is supplied from the output filter capacitor C_O. The voltage across L_M is v_g(t), assuming the voltage dropped across Q₁ is zero. The current in Q₁ ramps up linearly at a rate of:

$$\frac{di_g(t)}{dt} = \frac{v_g(t)}{L_M} \tag{9.6}$$

At the end of on-time, the current ramps up to:

$$i_{g_peak}(t) = \frac{v_g(t) \times t_{ON}}{L_M} \tag{9.7}$$

This current represents a stored energy of:

$$E_g = \frac{L_M}{2} \times i_{g_peak}(t)^2 \tag{9.8}$$

When Q₁ turns off, i_g(t) in L_M forces a reversal of polarities on all windings. Ignoring the commutation-time caused by the leakage inductance L_K at the instant of turn-off, the primary current transfers to the secondary at a peak amplitude of:

$$i_d(t) = \frac{N_P}{N_S} \times i_{g_peak}(t) \tag{9.9}$$

Assuming the secondary winding is master and the auxiliary winding is slave.

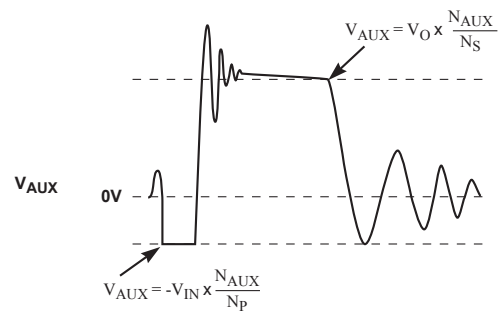


Figure 9.8 : Auxiliary Voltage Waveforms

The auxiliary voltage is given by:

$$V_{AUX} = \frac{N_{AUX}}{N_S} (V_O + \Delta V) \tag{9.10}$$

and reflects the output voltage as shown in Figure 9.9.

The voltage at the load differs from the secondary voltage by a diode drop and IR losses. The diode drop is a function of

AC/DC Digital Power Controller for Dimmable LED Drivers

current, as are IR losses. Thus, if the secondary voltage is always read at a constant secondary current, the difference between the output voltage and the secondary voltage is a fixed ΔV . Furthermore, if the voltage can be read when the secondary current is small, for example, at the knee of the auxiliary waveform (see Figure 9.9), then ΔV is also small. With the iW3602-00, ΔV can be ignored.

The real-time waveform analyzer in the iW3602-00 reads the auxiliary waveform information cycle by cycle. The part then generates a feedback voltage V_{FB} . The V_{FB} signal precisely represents the output voltage and is used to regulate the output voltage.

9.7 Valley Mode Switching

In order to reduce switching losses in the MOSFET and EMI, the iW3602-00 employs valley mode switching during constant output current operation. In valley mode switching, the MOSFET switch is turned on at the point where the resonant voltage across the drain and source of the MOSFET is at its lowest point (see Figure 9.9). By switching at the lowest V_{DS} , the switching loss is minimized.

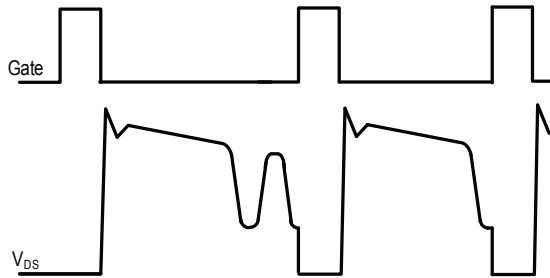


Figure 9.9 : Valley Mode Switching

Turning on at the lowest V_{DS} generates lowest dV/dt , thus valley mode switching can also reduce EMI. To limit the switching frequency range, the iW3602-00 can skip valleys (seen in the first cycle in Figure 9.9) when the switching frequency becomes greater than $f_{SW(MAX)}$.

At each of the switching cycles, the falling edge of V_{SENSE} is checked. If the falling edge of V_{SENSE} is not detected, the off-time is extended until the falling edge of V_{SENSE} is detected.

9.8 LED Current Regulation

The iW3602-00 incorporates a patented primary-side only constant current regulation technology. The iW3602-00 regulates the output current at a constant level regardless of the output voltage, while avoiding continuous conduction mode. To achieve this regulation the iW3602-00 senses the load current indirectly through the primary current.

The primary current is detected by the I_{SENSE} pin through a resistor from the MOSFET source to ground.

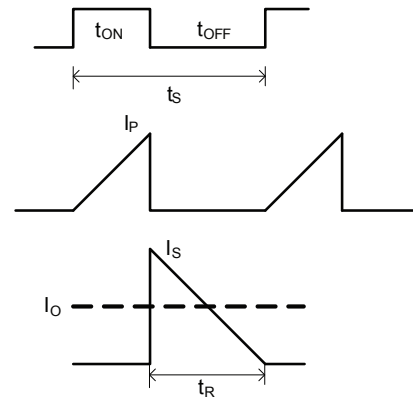


Figure 9.10 : Constant LED Current Regulation

The I_{SENSE} resistor determines the maximum current output of the power supply. The output current of the power supply is determined by:

$$I_{OUT} = \frac{1}{2} \times N_{PS} \times \frac{V_{REG-TH}}{R_{SENSE}} \times \frac{t_R}{t_S} \tag{9.11}$$

where N_{PS} is the turns ratio of the primary and secondary windings and R_{SENSE} is the I_{SENSE} resistor.

9.9 V_IN Resistors

V_{IN} resistors are chosen primarily to scale down the input voltage for the IC. The scale factor for the input voltage in the IC is 0.0086. Since the internal impedance of this pin is 2.5 k Ω , then, the V_{IN} resistors should equate to:

$$R_{vin} = \frac{2.5k\Omega}{0.0086} - 2.5k\Omega = 288k\Omega \tag{9.12}$$

9.10 Voltage Protection Functions

The iW3602-00 includes a function that protects against an input over-voltage ($V_{IN OVP}$) and output over-voltage (OVP).

The input voltage is monitored by V_{IN_A} , as shown in Figure 8.1. If this voltage exceeds 1.73V for 15 continuous half AC cycles the iW3602-00 considers V_{IN} to be over-voltage. Output voltage is monitored by the V_{SENSE} pin. If the voltage at this pin exceeds $V_{SENSE(MAX)}$ for 2 continuous switching cycles the iW3602-00 considers the output voltage to be over-voltage.

In both input over-voltage and output over-voltage cases, the IC remains biased, which discharges the V_{CC} supply.

AC/DC Digital Power Controller for Dimmable LED Drivers

In order to prevent overcharging the output voltage or overcharging the bulk voltage, the iW3602-00 employs an extended discharge time before restart. Initially if V_{CC} drops below the UVLO threshold, the controller resets itself and then initiates a new soft-start cycle.

Under the fault condition, the controller tries to start up for three consecutive times. If all three start-up attempts fail, the controller enters the inactive mode, during which the controller does not respond to V_{CC} power-on requests. The controller is activated again after it sees 29 start-up attempts. The controller can also be reset to the initial condition if V_{CC} is discharged. Typically, this extended discharge time is around 3 to 5 seconds.

This extended discharge time allows the iW3602-00 to support hot-plug LED modules without causing dangerously high output voltages while maintaining a quick recovery.

9.11 PCL, OC and SRS Protection

Peak-current limit (PCL), over-current protection (OCP) and sense-resistor short protection (SRSP) are features built into the iW3602-00. The I_{SENSE} pin enables the iW3602-00 to monitor the primary peak current; this allows for cycle by cycle peak current control and limit. When the primary peak current multiplied by the I_{SENSE} sense resistor is greater than V_{OCP} , OCP engages and the IC immediately turns off the gate drive until the next switching cycle. The output driver continues to send out switching pulses; the IC immediately turns off the gate drive if the OCP threshold is reached again.

To ensure that a shorted I_{SENSE} sense resistor does not cause any unsafe conditions to occur, the SRSP feature is enabled after start-up and shuts down the IC within one power supply cycle of the fault occurrence. The V_{CC} is discharged since the IC remains biased. In order to prevent overcharging the output voltage, the iW3602-00 employs an extended discharge time before restart, similar to the discharge time described in section 9.10.

9.12 Over-Temperature Protection

If an NTC thermistor is connected from the V_T pin to GND then, the iW3602-00 is able to detect and protect against an over-temperature event (OTP).

The iW3602-00 provides a current (I_{VT}) to the V_T pin and detects the voltage on the pin. Based on this voltage the iW3602-00 can monitor the temperature of the NTC thermistor. As the V_T pin voltage reduces, the iW3602-00 reduces the output current according to Figure 9.11 and Figure 9.12. There is a hysteresis of 84mV on V_T pin voltage for each power limiting step.

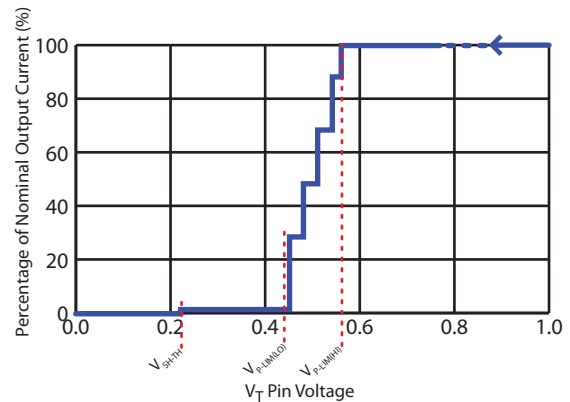


Figure 9.11 : V_T Pin Voltage vs. % of Nominal Output Current
 V_T from 1.0 V to 0.0 V

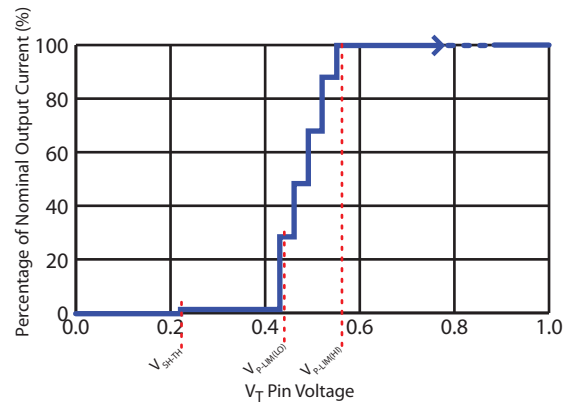


Figure 9.12 : V_T Pin Voltage vs. % of Nominal Output Current
 V_T from 0.0 V to 1.0 V

When the V_T pin voltage reaches $V_{P-LIM(HI)}$ the output current begins to reduce as shown in Figure 9.11. At $V_{P-LIM(LO)}$ the output current reduces to 1%. The device can be placed in shutdown mode by pulling the V_T pin to ground or under V_{SH-TH} .

9.13 Thermal Design

Note: This section only applies to iW3602-00.

The iW3602-00 is typically installed inside a small enclosure, where space and air volumes are constrained. Under these circumstances θ_{JA} (thermal resistance, junction to ambient) measurements do not provide useful information for this type of application. Instead we have provided ψ_{JB} which estimates the increase in die junction temperature relative to the PCB surface temperature. Figure 9.13 shows the PCB surface temperature is measured at the IC's GND pin pad.

AC/DC Digital Power Controller for Dimmable LED Drivers

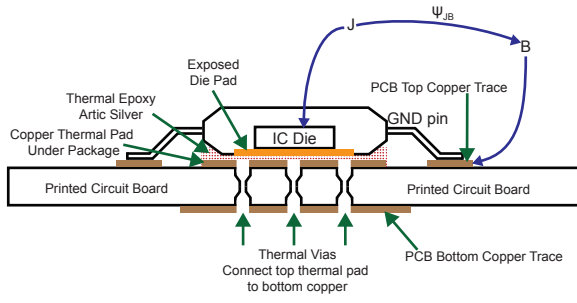


Figure 9.13 : Ways to Improve Thermal Resistance

Using ψ_{JB} the junction temperature (T_J) of the IC can be found using the equation below.

$$T_J = T_B + P_H \cdot \psi_{JB} \tag{9.13}$$

where, T_B is the PCB surface temperature and P_H is the power applied to the chip or the product of V_{CC} and I_{CCQ} .

The iW3602-00 uses an exposed pad package to reduce the thermal resistance of the package. Although just by using an exposed package can provide some thermal resistance improvement, more significant improvements can be obtained with simple PCB layout and design. Figure 9.13 demonstrates some recommended techniques to improve thermal resistance, which are also highlighted below.

Ways to Improve Thermal Resistance

- Increase PCB area and associated amount of copper interconnect.
- Use thermal adhesive to attach the package to a thermal pad on PCB.
- Connect PCB thermal pad to additional copper on PCB using thermal vias.

| Environment | ψ_{JB} |
|---|-------------|
| No adhesive | 70 °C/W |
| Use thermal adhesive to pad | 63 °C/W |
| Use thermal adhesive to pad with thermal vias | 49 °C/W |

Table 9.1: Improvements in ψ_{JB} Based on Limited Experimentation

Effect of Thermal Resistance Improvements

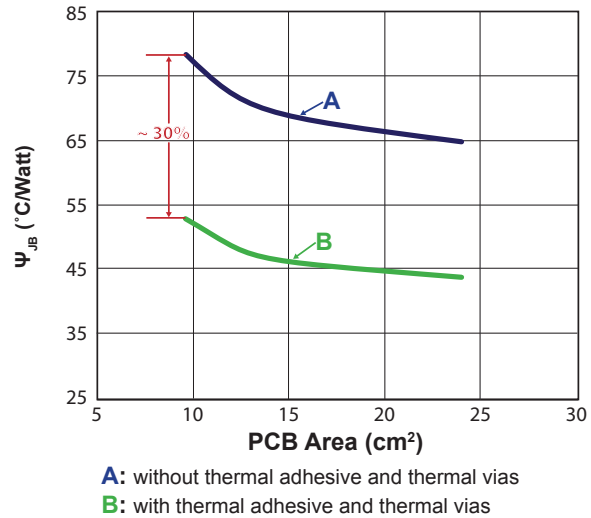


Figure 9.14 : Effect of Thermal Resistance Improvements

Figure 9.14 shows improvement of approximately 30% in thermal resistance across different PCB sizes when the exposed pad is attached to PCB using a thermal adhesive and thermal vias connect the pad to a larger plate on the opposing side of the PCB.

AC/DC Digital Power Controller for Dimmable LED Drivers

10.0 Performance Characteristics

Leading Edge Dimmer

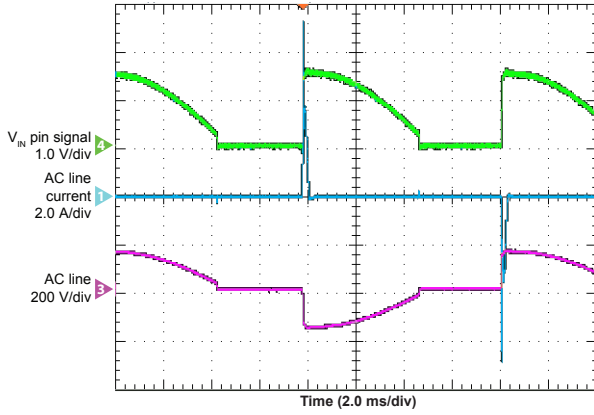


Figure 10.1 : Leading Edge Dimmer

Leading Edge Dimmer

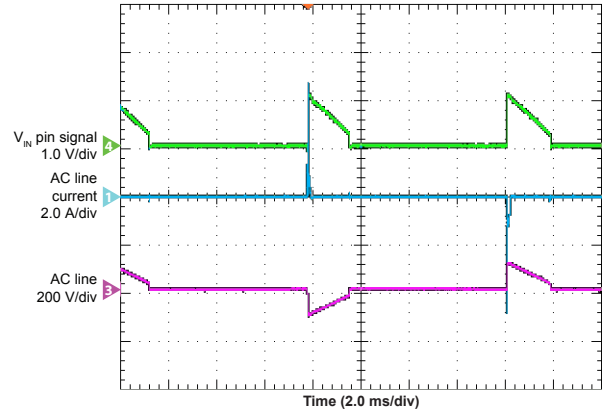


Figure 10.2 : Leading Edge Dimmer 2

No Dimmer

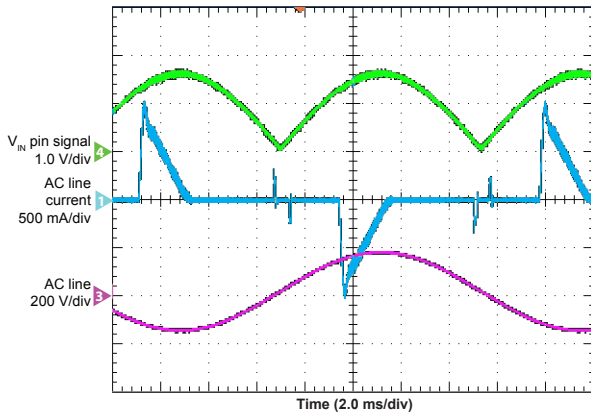


Figure 10.3 : No Dimmer

AC/DC Digital Power Controller for Dimmable LED Drivers

11.0 Typical Application Schematic

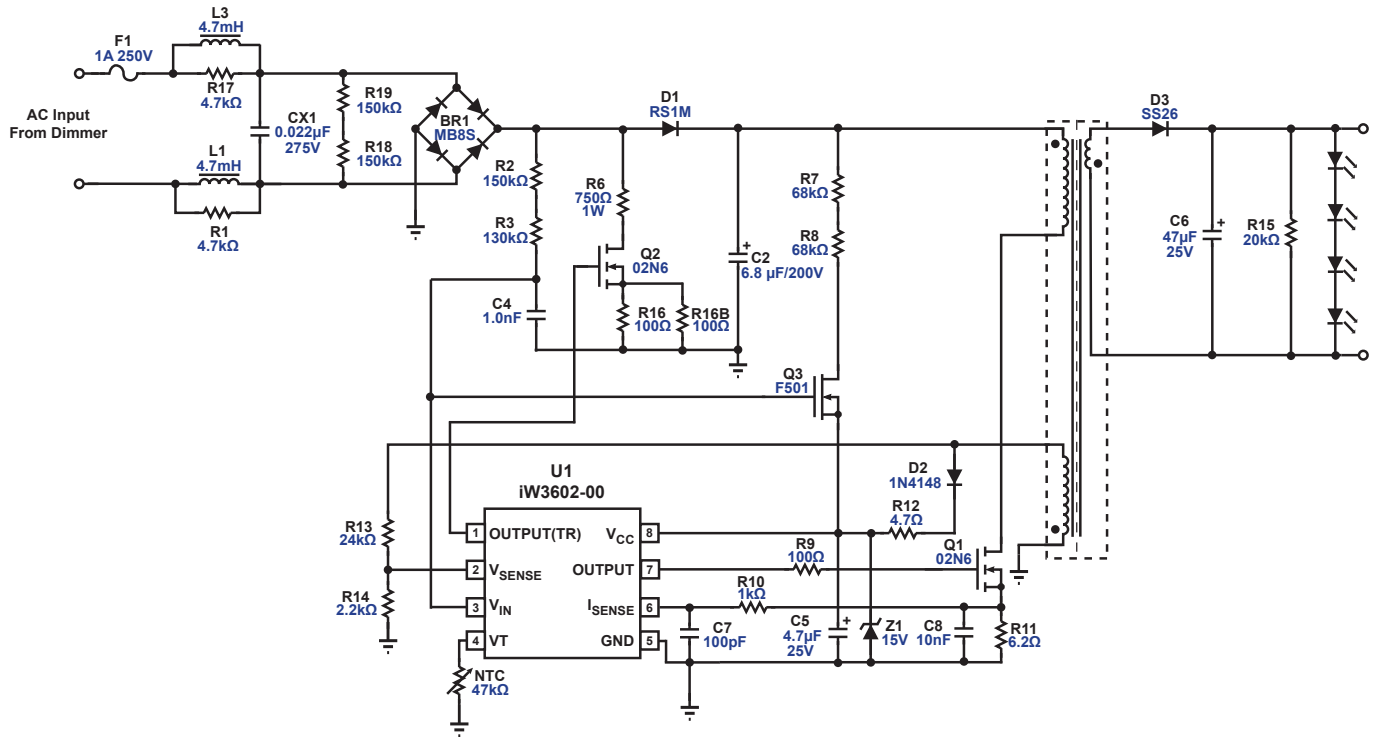


Figure 11.1 : iW3602-00 Typical Application Schematic

AC/DC Digital Power Controller for Dimmable LED Drivers

12.0 Physical Dimensions

8-Lead Small Outline (SOIC) Package

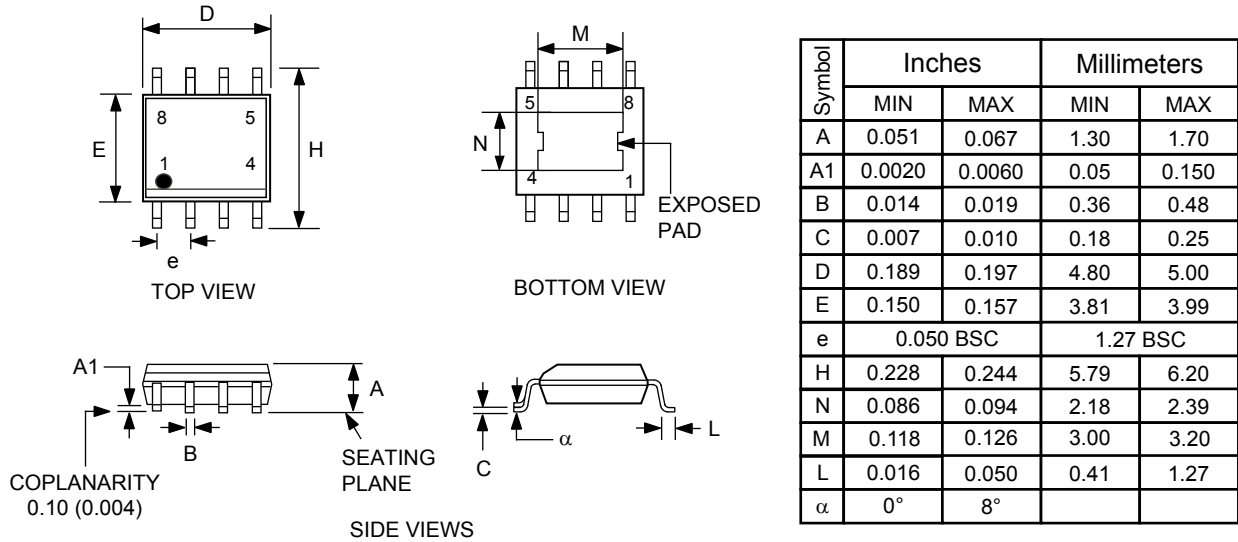


Figure 12.1 : Physical dimensions for iW3602-00

Compliant to JEDEC Standard MS12F

Controlling dimensions are in inches; millimeter dimensions are for reference only

This product is RoHS compliant and Halide free.

Soldering Temperature Resistance:

[a] Package is IPC/JEDEC Std 020D Moisture Sensitivity Level 3

[b] Package exceeds JEDEC Std No. 22-A111 for Solder Immersion Resistance; package can withstand 10 s immersion < 260°C

Dimension D does not include mold flash, protrusions or gate burrs. Mold flash, protrusions or gate burrs shall not exceed 0.15 mm per end. Dimension E does not include interlead flash or protrusion. Interlead flash or protrusion shall not exceed 0.25 mm per side.

The package top may be smaller than the package bottom. Dimensions D and E are determined at the outermost extremes of the plastic body exclusive of mold flash, tie bar burrs, gate burrs and interlead flash, but including any mismatch between the top and bottom of the plastic body.

AC/DC Digital Power Controller for Dimmable LED Drivers

8-Lead Small Outline (SOIC) Package

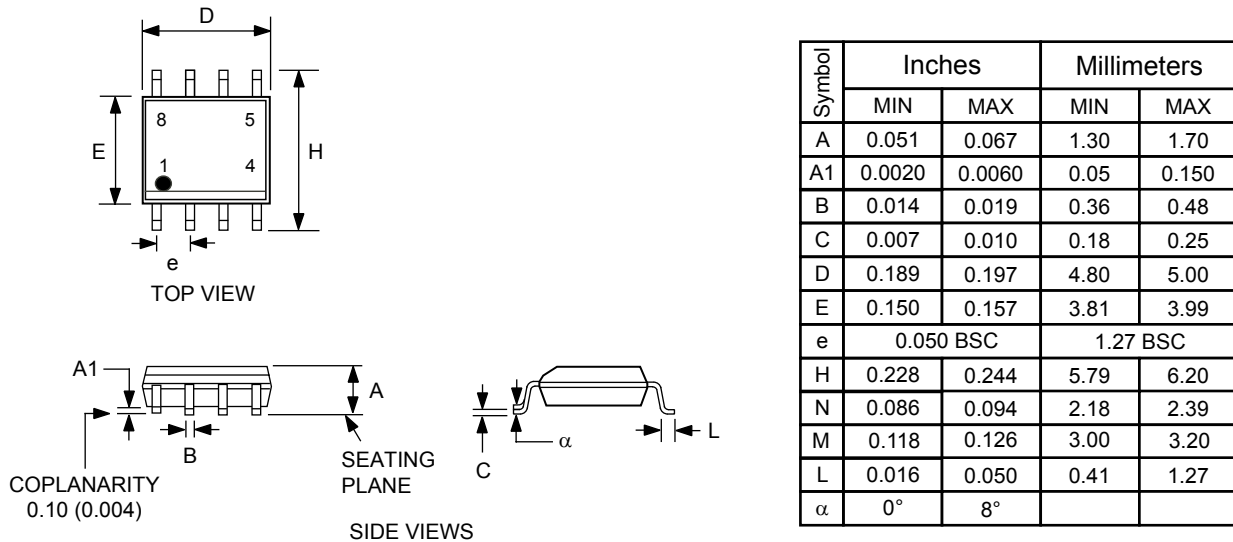


Figure 12.2 : Physical dimensions for iW3602-30

Compliant to JEDEC Standard MS12F

Controlling dimensions are in inches; millimeter dimensions are for reference only

This product is RoHS compliant and Halide free.

Soldering Temperature Resistance:

[a] Package is IPC/JEDEC Std 020D Moisture Sensitivity Level 1

[b] Package exceeds JEDEC Std No. 22-A111 for Solder Immersion Resistance; package can withstand 10 s immersion < 260°C

Dimension D does not include mold flash, protrusions or gate burrs. Mold flash, protrusions or gate burrs shall not exceed 0.15 mm per end. Dimension E does not include interlead flash or protrusion. Interlead flash or protrusion shall not exceed 0.25 mm per side.

The package top may be smaller than the package bottom. Dimensions D and E are determined at the outermost extremes of the plastic body exclusive of mold flash, tie bar burrs, gate burrs and interlead flash, but including any mismatch between the top and bottom of the plastic body.

13.0 Ordering Information

| Part Number | Options | Package | Description |
|-------------|---|------------------------|--------------------------|
| iW3602-00 | Universal Input < 0.7PF | SOIC-8-EP ² | Tape & Reel ¹ |
| iW3602-30 | Universal Input < 0.7PF, Improved Bleeder, Lower Cost Package | SOIC-8 | Tape & Reel ¹ |

Note 1: Tape & Reel packing quantity is 2,500/reel. Minimum ordering quantity is 2,500.

Note 2: For the exposed pad package, refer to Section 9.13 Thermal Design.

AC/DC Digital Power Controller for Dimmable LED Drivers

Disclaimer

Information in this document is believed to be accurate and reliable. However, Dialog Semiconductor does not give any representations or warranties, expressed or implied, as to the accuracy or completeness of such information. Dialog Semiconductor furthermore takes no responsibility whatsoever for the content in this document if provided by any information source outside of Dialog Semiconductor.

Dialog Semiconductor reserves the right to change without notice the information published in this document, including without limitation the specification and the design of the related semiconductor products, software and applications.

Applications, software, and semiconductor products described in this document are for illustrative purposes only. Dialog Semiconductor makes no representation or warranty that such applications, software and semiconductor products will be suitable for the specified use without further testing or modification. Unless otherwise agreed in writing, such testing or modification is the sole responsibility of the customer and Dialog Semiconductor excludes all liability in this respect.

Customer notes that nothing in this document may be construed as a license for customer to use the Dialog Semiconductor products, software and applications referred to in this document. Such license must be separately sought by customer with Dialog Semiconductor.

All use of Dialog Semiconductor products, software and applications referred to in this document are subject to Dialog Semiconductor's [Standard Terms and Conditions of Sale](#), unless otherwise stated.

© Dialog Semiconductor (UK) Ltd. All rights reserved.

RoHS compliance

Dialog Semiconductor complies to European Directive 2001/95/EC and from 2 January 2013 onwards to European Directive 2011/65/EU concerning Restriction of Hazardous Substances (RoHS/RoHS2).

Dialog Semiconductor's statement on RoHS can be found on the customer portal <https://support.diasemi.com/>. RoHS certificates from our suppliers are available on request.

Contacting Dialog Semiconductor

United Kingdom

Dialog Semiconductor (UK) Ltd
Phone: +44 1793 757700

Germany

Dialog Semiconductor GmbH
Phone: +49 7021 805-0

The Netherlands

Dialog Semiconductor B.V.
Phone: +31 73 640 88 22

Email

info_pcbg@diasemi.com

North America

Dialog Semiconductor Inc.
Phone: +1 408 845 8500

Japan

Dialog Semiconductor K. K.
Phone: +81 3 5425 4567

Taiwan

Dialog Semiconductor Taiwan
Phone: +886 8178 6222

Web site:

www.dialog-semiconductor.com

Singapore

Dialog Semiconductor Singapore
Phone: +65 64849929

Hong Kong

Dialog Semiconductor Hong Kong
Phone: +852 2607 4271

Korea

Dialog Semiconductor Korea
Phone: +82 2 3469 8200

China

Dialog Semiconductor (Shenzhen)
Phone: +86 755 2981 3669

Dialog Semiconductor (Shanghai)

Phone: +86 21 5178 2561