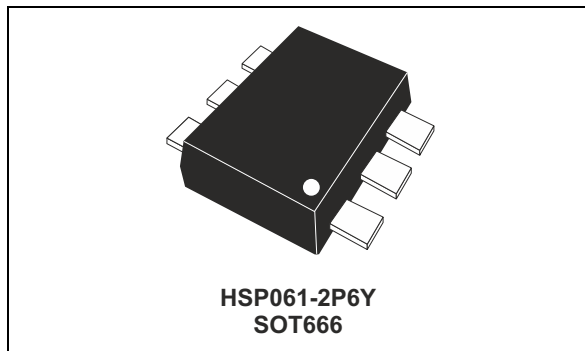
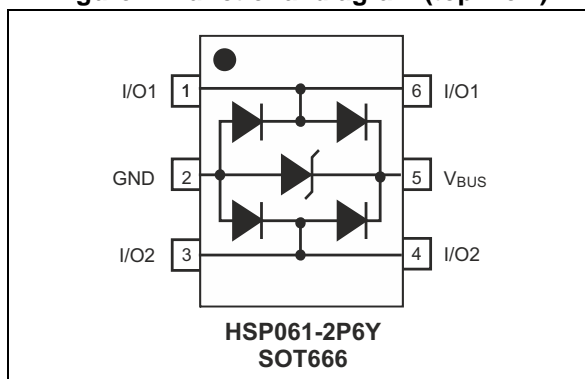


## Automotive 2-line ESD protection for high speed lines

Datasheet - production data



**Figure 1. Functional diagram (top view)**



### Features

- Flow-through routing to keep signal integrity
- Ultralarge bandwidth: 6 GHz
- Ultralow capacitance: 0.6 pF
- Low leakage current: 100 nA at 25 °C
- Extended operating junction temperature range: -40 °C to 150 °C
- RoHS compliant
- AEC-Q101 qualified

### Benefits

- High ESD robustness of the equipment
- Suitable for high density boards

### Complies with following standards:

- ISO 10605 - C = 150 pF, R = 330 Ω
  - 30 kV (air discharge)
  - 15 kV (contact discharge)
- ISO 10605 - C = 330 pF, R = 330 Ω
  - 30 kV (air discharge)
  - 15 kV (contact discharge)
- ISO 7637-3:
  - Pulse 3a: Vs = -150 V
  - Pulse 3b: Vs = +100 V

### Applications

The HSP061-2Y is designed to protect against electrostatic discharge on automotive circuits driving:

- APIX
- LVDS
- HDMI 1.3 and 1.4
- Ethernet
- Digital Video Interface
- Display Port
- USB 3.0
- Serial ATA
- High speed communication buses
- HMI

### Description

The HSP061-2Y is a 2-channel ESD array with a rail to rail architecture designed specifically for the protection of high speed differential lines.

The ultralow variation of the capacitance ensures very low influence on signal-skew. The large bandwidth makes it compatible with 5 Gbps.

# 1 Characteristics

**Table 1. Absolute maximum ratings  $T_{amb} = 25\text{ }^{\circ}\text{C}$**

Symbol	Parameter		Value	Unit
$V_{PP}^{(1)}$	Peak pulse voltage	ISO 10605 - C = 150 pF, R = 330 $\Omega$ contact discharge	15	kV
		air discharge	30	
		ISO 10605 - C = 330 pF, R = 330 $\Omega$ contact discharge	15	
		air discharge	30	
$I_{pp}$	Peak pulse current (8/20 $\mu\text{s}$ )		3	A
$T_j$	Operating junction temperature range		-40 to +150	$^{\circ}\text{C}$
$T_{stg}$	Storage temperature range		-65 to +150	$^{\circ}\text{C}$
$T_L$	Maximum lead solder temperature (10 s duration)		260	$^{\circ}\text{C}$

1. For a surge greater than the maximum values, the diode will fail in short-circuit.

**Table 2. Electrical characteristics  $T_{amb} = 25\text{ }^{\circ}\text{C}$**

Symbol	Parameter	Test conditions	Min.	Typ.	Max.	Unit
$V_{BR}$	Breakdown voltage	$I_R = 1\text{ mA}$	6			V
$I_R$	Leakage current	$V_R = 5\text{ V}$			150	nA
		$V_R = 3\text{ V}$			100	
$V_{CL}$	Clamping voltage	ISO 10605 - C = 150 pF, R = 330 $\Omega$ +8 kV contact discharge, measured at 30 ns		18		V
$C_{I/O - GND}$	Capacitance (input/output to ground)	$V_{I/O} = 0\text{ V}$ , F = 200 to 3000 MHz, $V_{OSC} = 30\text{ mV}$		0.6	0.85	pF
$\Delta C_{I/O - GND}$	Capacitance variation (input/output to ground)	$V_{I/O} = 0\text{ V}$ F = 200 to 3000 MHz, $V_{OSC} = 30\text{ mV}$		0.03	0.08	pF
$f_C$	Cut-off frequency	-3 dB		5.5		GHz

Figure 2. Leakage current versus junction temperature (typical values)

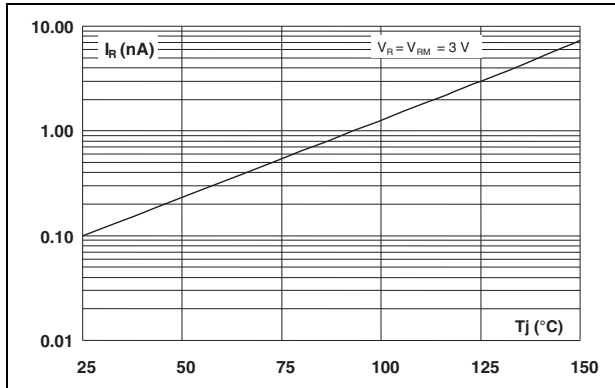


Figure 3. S21 attenuation measurement

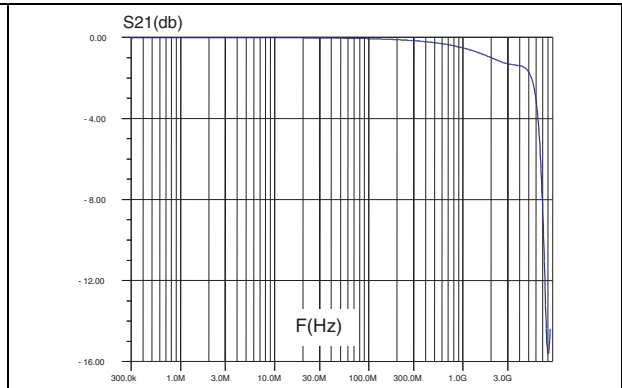


Figure 4. Eye diagram - HDMI mask at 3.4 Gbps per channel

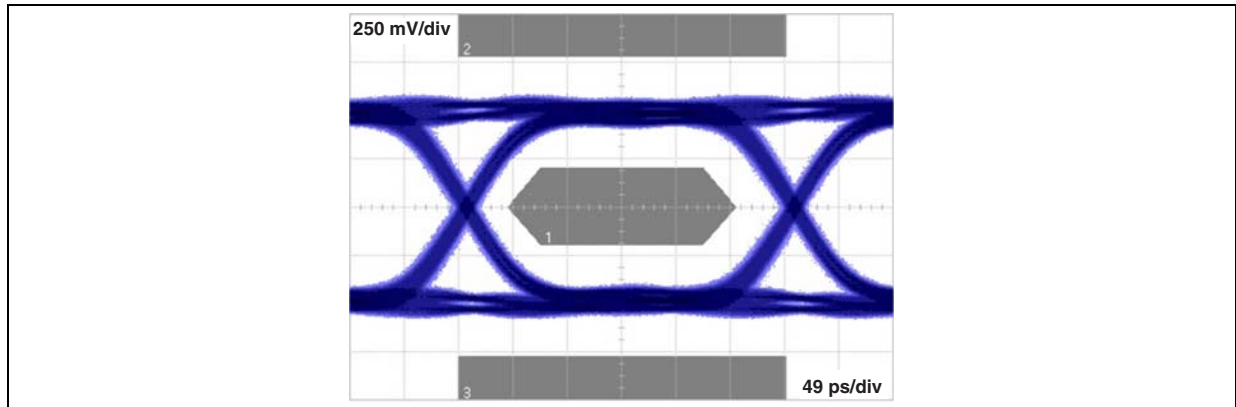


Figure 5. ESD response to IEC 61000-4-2 (+8 kV contact discharge)

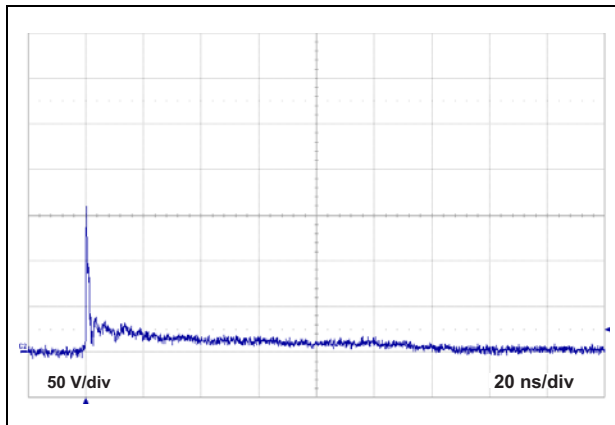


Figure 6. ESD response to IEC 61000-4-2 (-8 kV contact discharge)

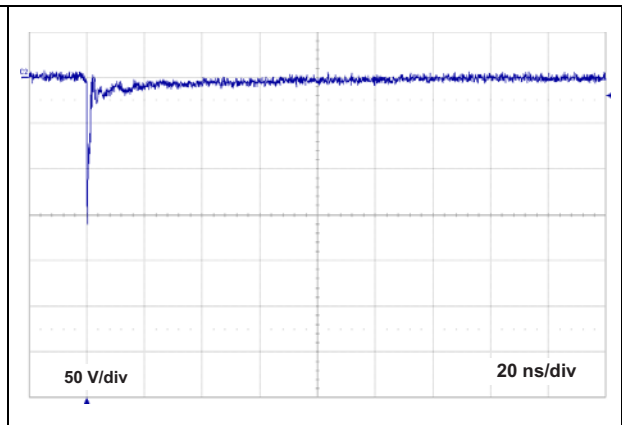


Figure 7. Response to ISO 7637-3 Pulse 3a  
( $U_s = -150\text{ V}$ )

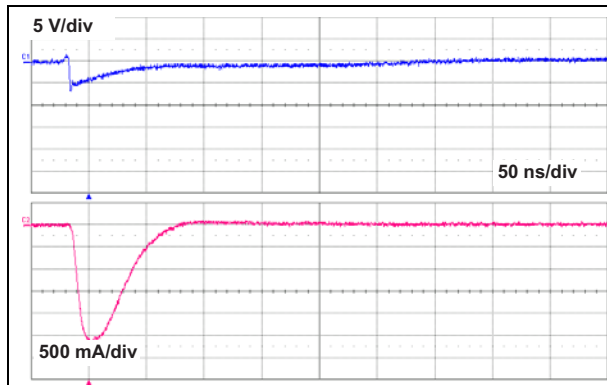
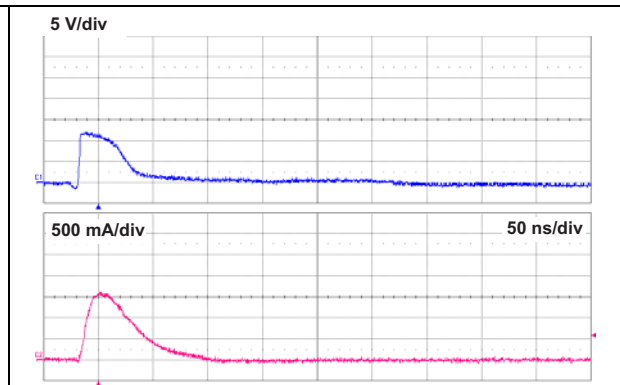


Figure 8. Response to ISO 7637-3 Pulse 3b  
( $U_s = +100\text{ V}$ )



## 2 Application information

More information is available in the STMicroelectronics application note:

AN2689, "Protection of automotive electronics from electrical hazards, guidelines for design and component selection".

### 3 Package information

- Epoxy meets UL94, V0
- Lead-free packages

In order to meet environmental requirements, ST offers these devices in different grades of ECOPACK<sup>®</sup> packages, depending on their level of environmental compliance. ECOPACK<sup>®</sup> specifications, grade definitions and product status are available at: [www.st.com](http://www.st.com). ECOPACK<sup>®</sup> is an ST trademark.

Figure 9. SOT666 dimension definitions

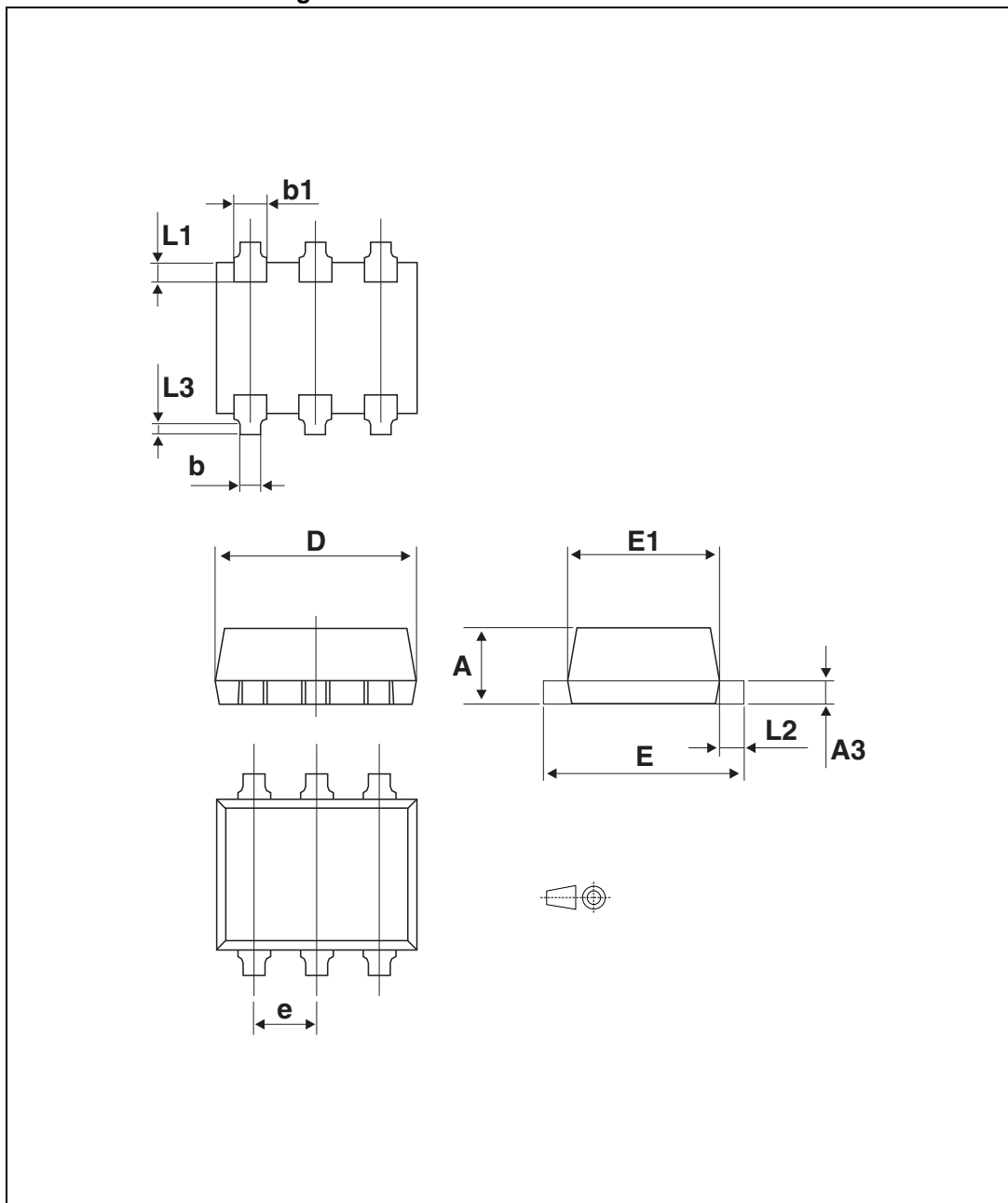


Table 3. SOT666 dimension values

Ref.	Dimensions					
	Millimeters			Inches		
	Min.	Typ.	Max.	Min.	Typ.	Max.
A	0.45		0.60	0.018		0.024
A3	0.08		0.18	0.003		0.007
b	0.17		0.34	0.007		0.013
b1	0.19	0.27	0.34	0.007	0.011	0.013
D	1.50		1.70	0.059		0.067
E	1.50		1.70	0.059		0.067
E1	1.10		1.30	0.043		0.051
e		0.50			0.020	
L1		0.19			0.007	
L2	0.10		0.30	0.004		0.012
L3		0.10			0.004	

Figure 10. Footprint recommendations dimensions in mm (inches)

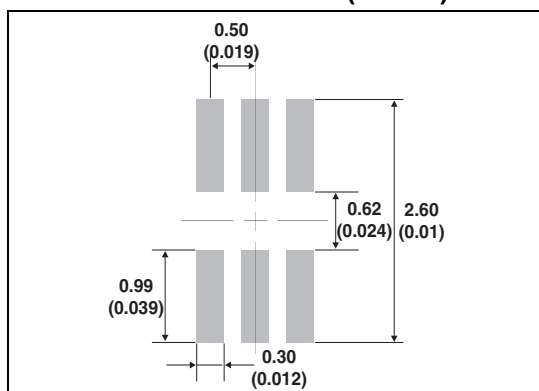
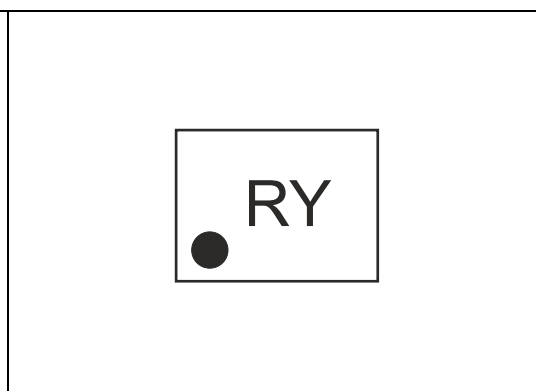


Figure 11. Marking



Note: Product marking may be rotated by 90° or 180° to differentiate assembly location. In no case should this product marking be used to orient the component for its placement on a PCB. Only pin 1 mark is to be used for this purpose.

## 4 Ordering information

Figure 12. Ordering information scheme

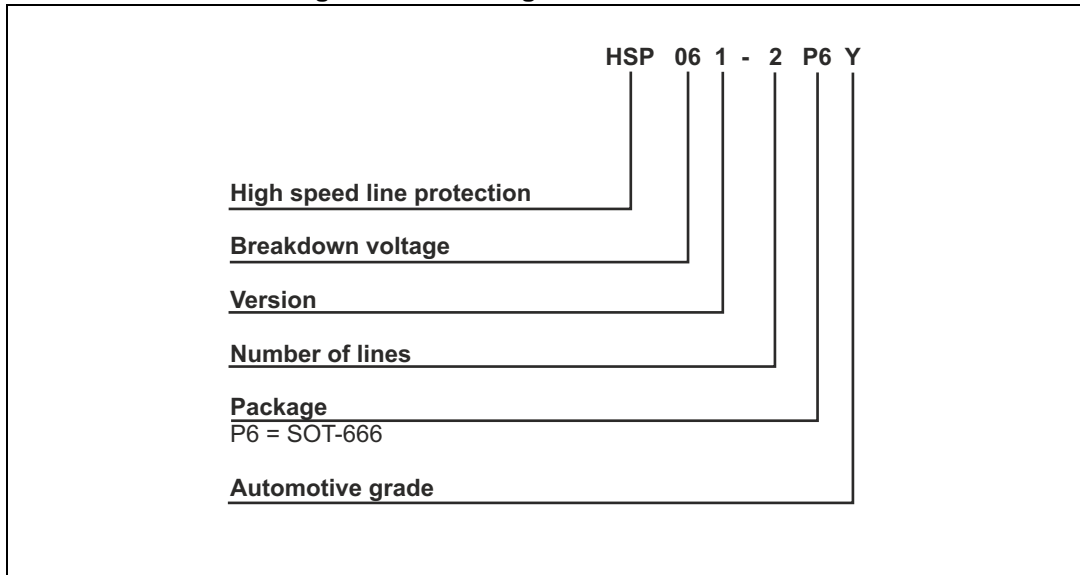


Table 4. Ordering information

Order code	Marking	Package	Weight	Base qty	Delivery mode
HSP061-2P6Y	RY <sup>(1)</sup>	SOT-666	3 mg	3000	Tape and reel

1. The marking can be rotated by 90° or 180° to differentiate assembly location

## 5 Revision history

Table 5. Document revision history

Date	Revision	Changes
17-Oct-2013	1	Initial release.
19-Nov-2014	2	Updated <a href="#">Figure 5</a> , <a href="#">Figure 6</a> and <a href="#">Table 4</a> . Added <a href="#">Figure 7</a> and <a href="#">Figure 8</a> .

**IMPORTANT NOTICE – PLEASE READ CAREFULLY**

STMicroelectronics NV and its subsidiaries ("ST") reserve the right to make changes, corrections, enhancements, modifications, and improvements to ST products and/or to this document at any time without notice. Purchasers should obtain the latest relevant information on ST products before placing orders. ST products are sold pursuant to ST's terms and conditions of sale in place at the time of order acknowledgement.

Purchasers are solely responsible for the choice, selection, and use of ST products and ST assumes no liability for application assistance or the design of Purchasers' products.

No license, express or implied, to any intellectual property right is granted by ST herein.

Resale of ST products with provisions different from the information set forth herein shall void any warranty granted by ST for such product.

ST and the ST logo are trademarks of ST. All other product or service names are the property of their respective owners.

Information in this document supersedes and replaces information previously supplied in any prior versions of this document.

© 2014 STMicroelectronics – All rights reserved