

DETAILS

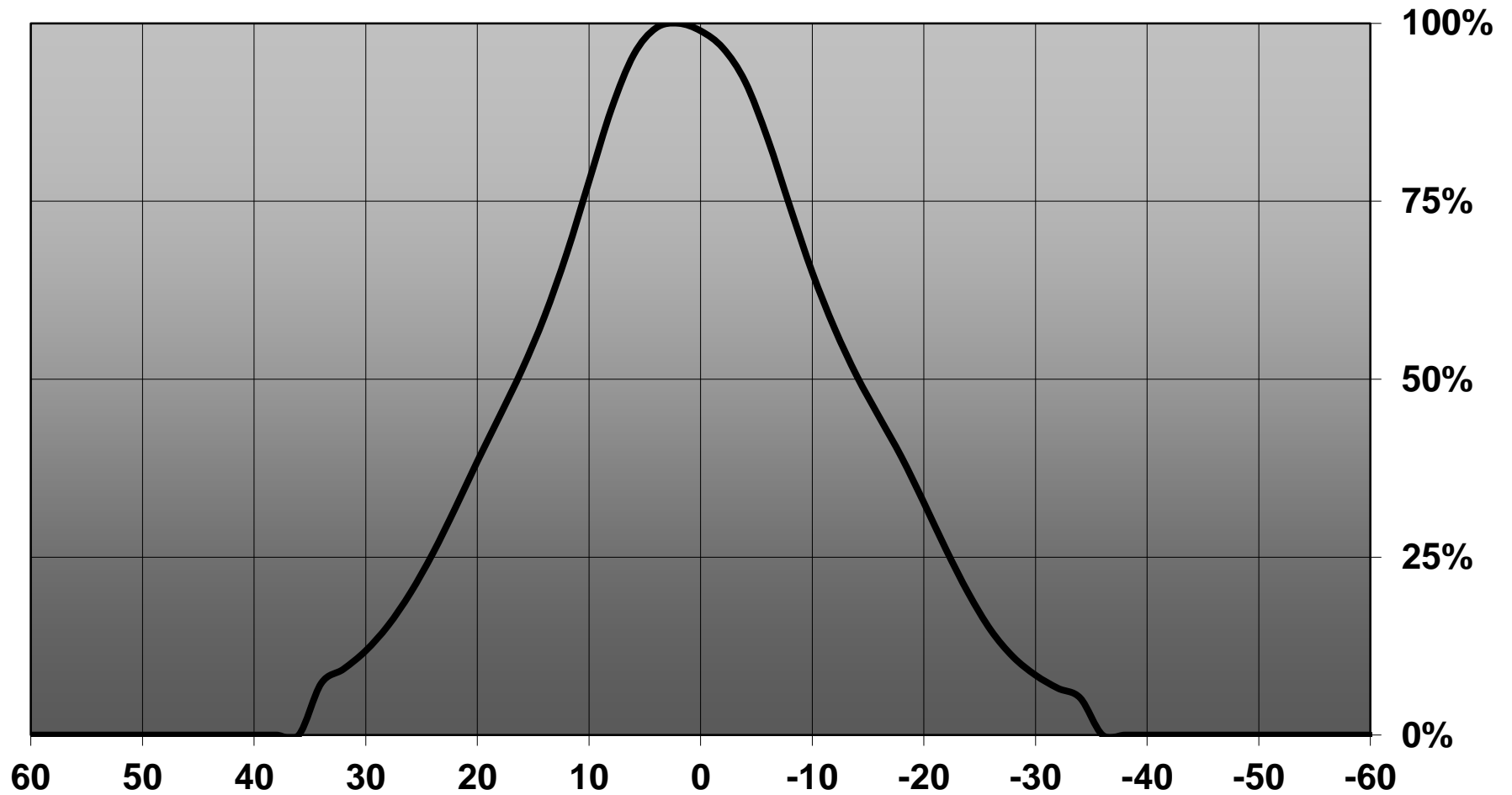
Product Number	FCA14464_G2-NIS033U-W
Family	Rose
Type	Assembly
Color	black
Diameter	21,6 + 21,6 mm
Height	12,9 mm
Style	square
Optic Material	Silicone
Holder Material	
Fastening	tape
Status	production ready
ROHS Compliant	Yes
Date Updated	17/01/2018



OPTICAL PROPERTIES

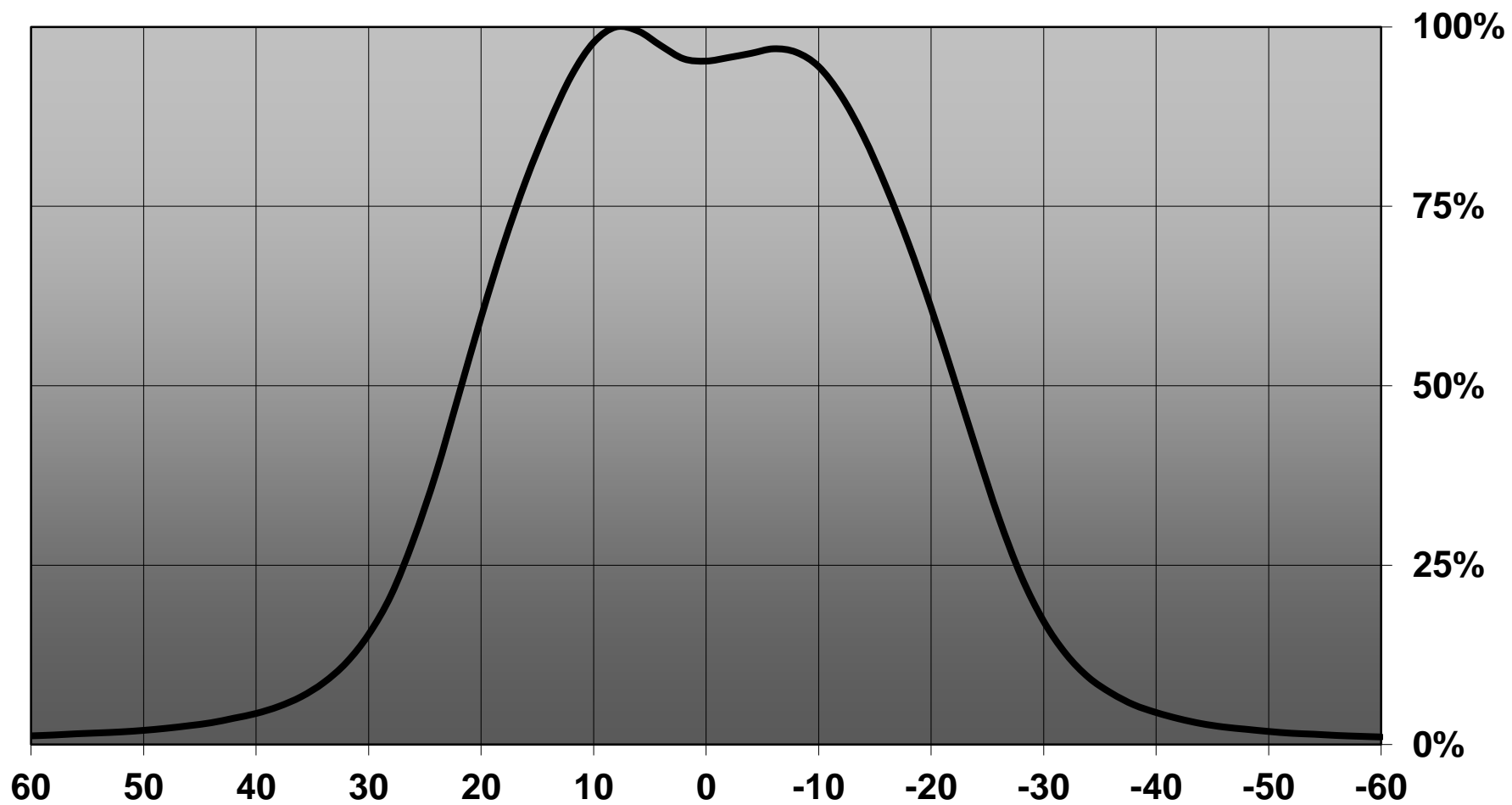
LED	Viewing	Light	Effi-		Connector
	Angle	Beam	ciency	cd/lm	
6868 4in1 (UV)	31 deg	Wide	-	-	-
NCSU033B	44 deg	Wide	sim: 92 %	-	-
NCSU034B	43 deg	Wide	sim: 92 %	-	-
NC4U134A	38 deg	Wide	sim: 91 %	-	-
NVSU333A	39 deg	Wide	-	-	-

Relative intensity of FCA14464_G2-NIS033U-W_(LG_6868_4in1)

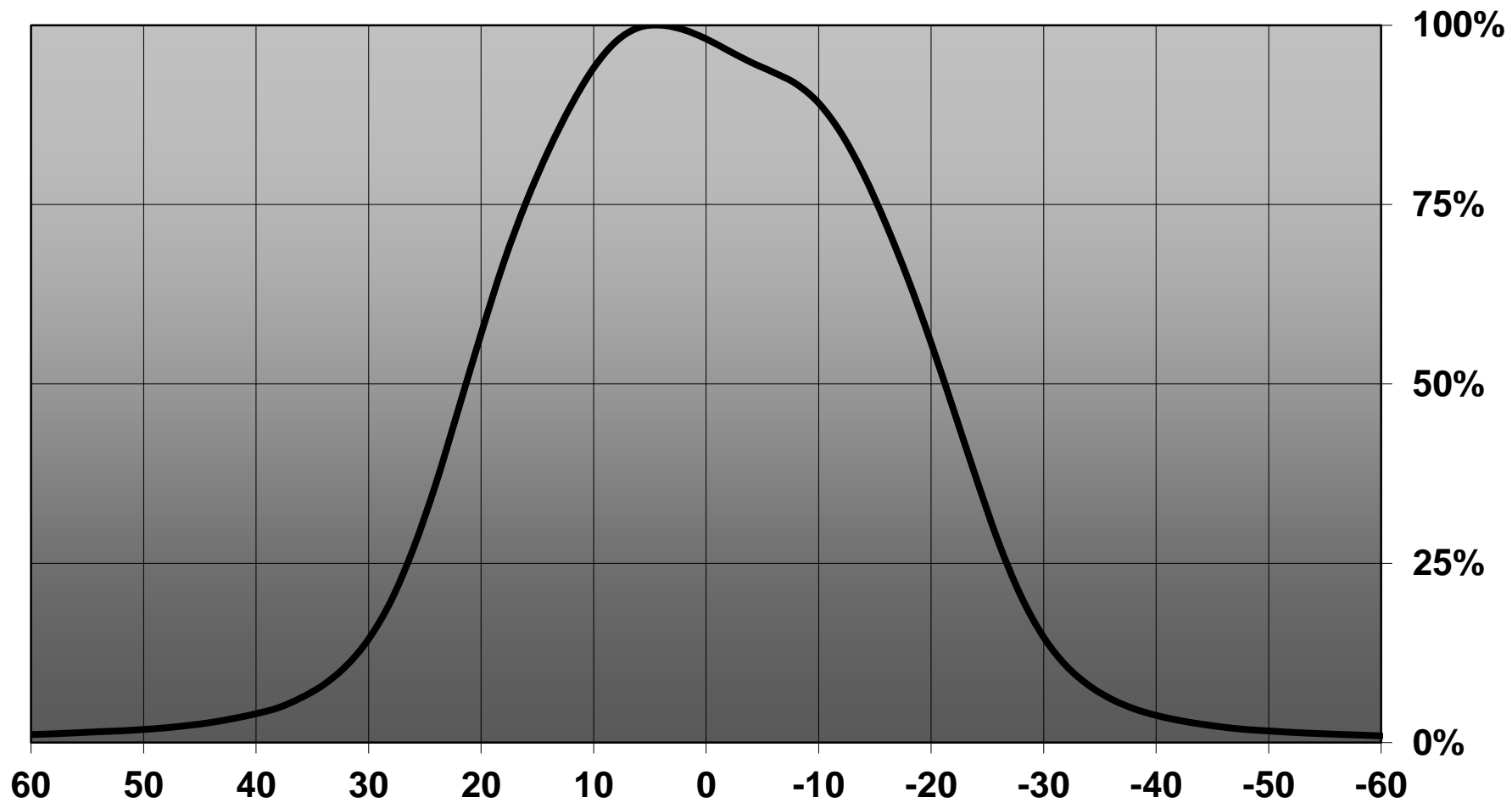


— 0,03159 W/m² @ 100mA

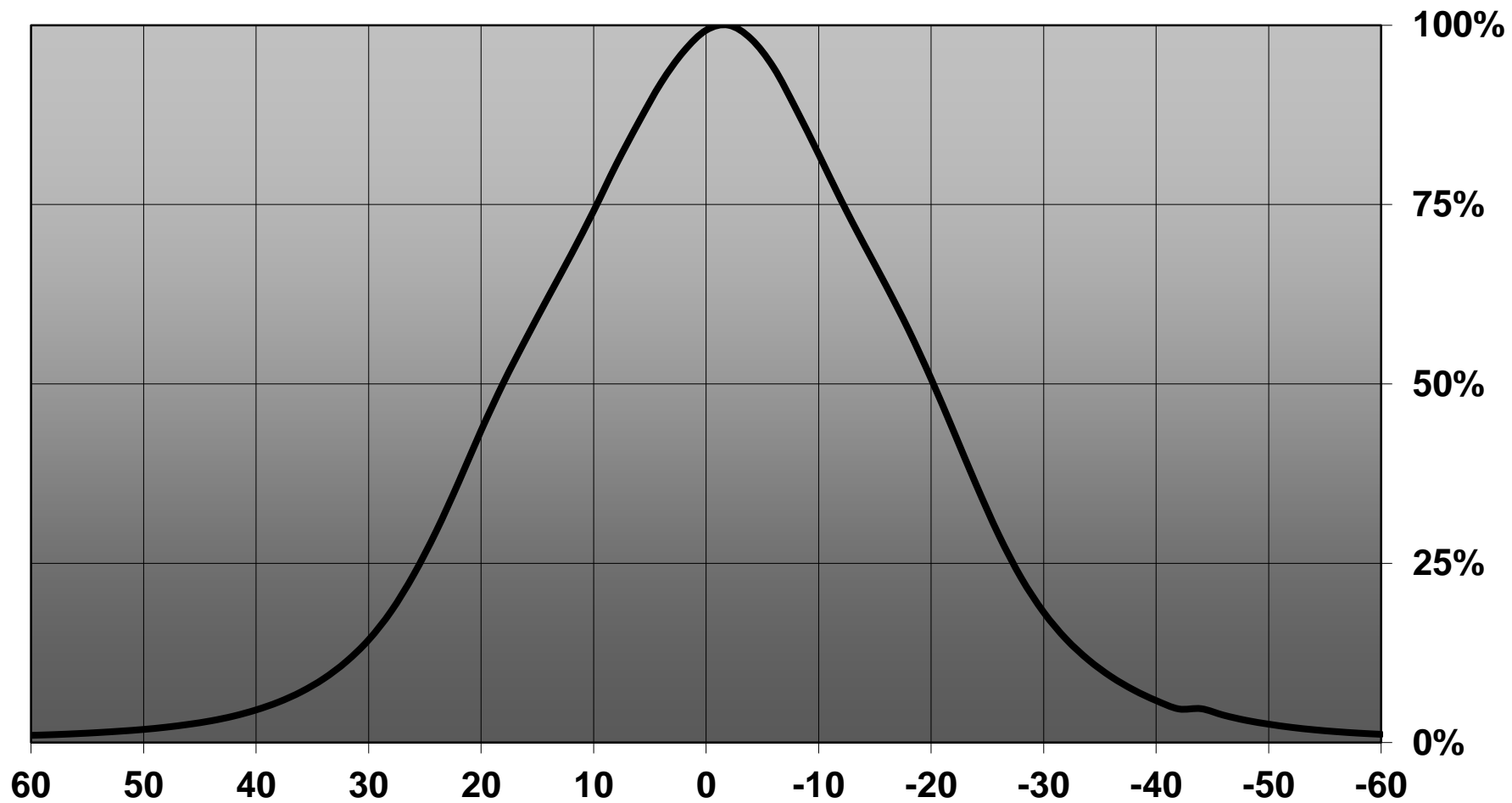
Relative intensity of FCA14464_G2-NIS033U-W (NCSU033B)



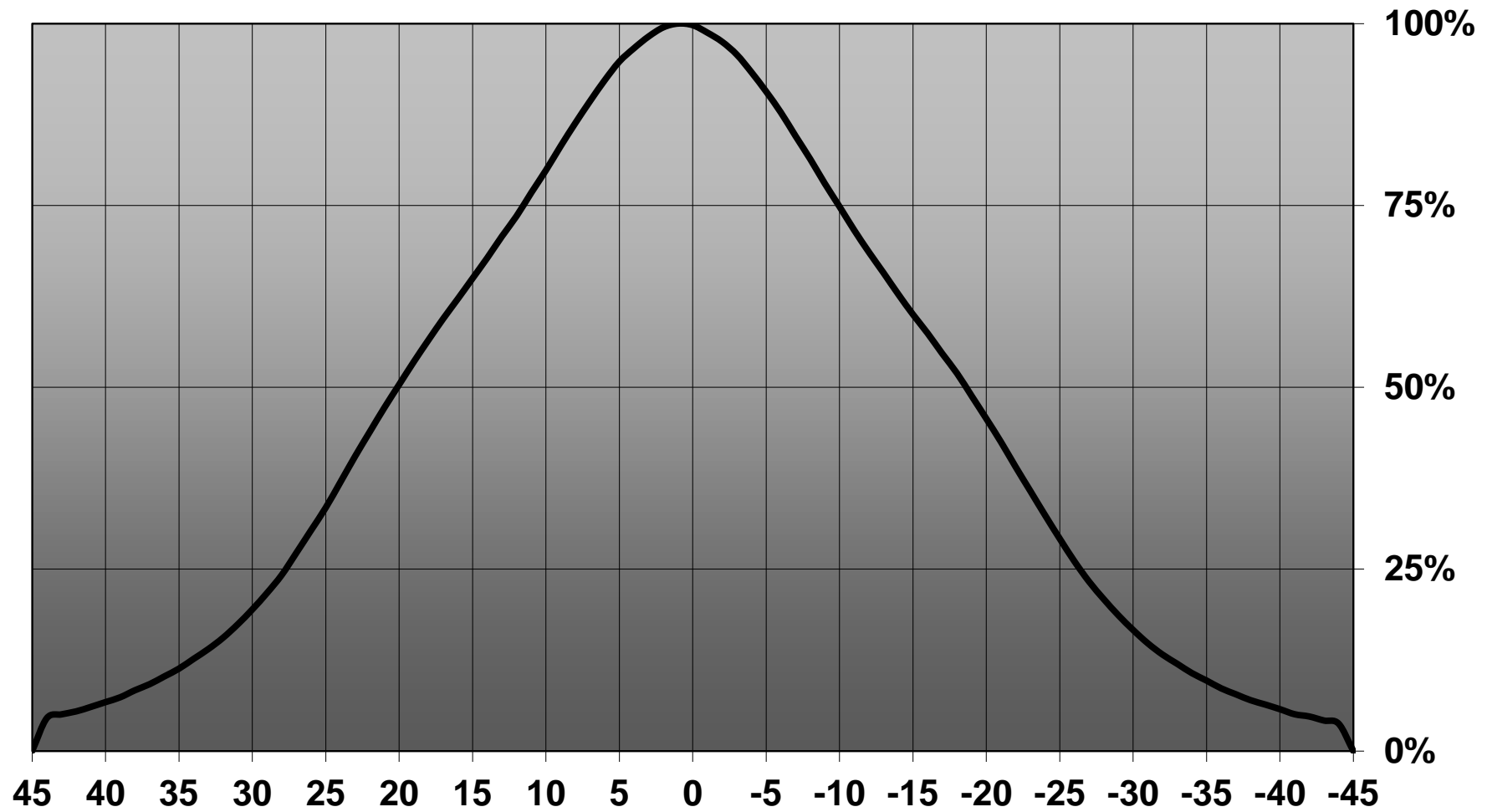
Relative intensity of FCA14464_G2-NIS033U-W (NCSU034B)

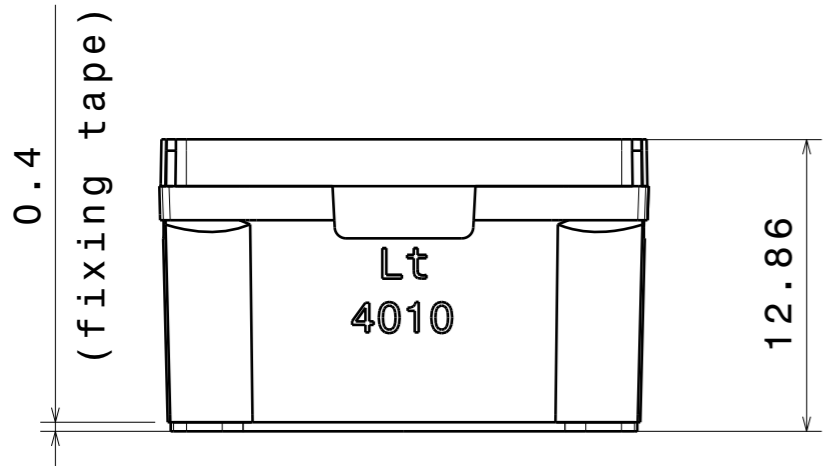


Relative intensity of FCA14464_G2-NIS033U-W (NC4U134A)

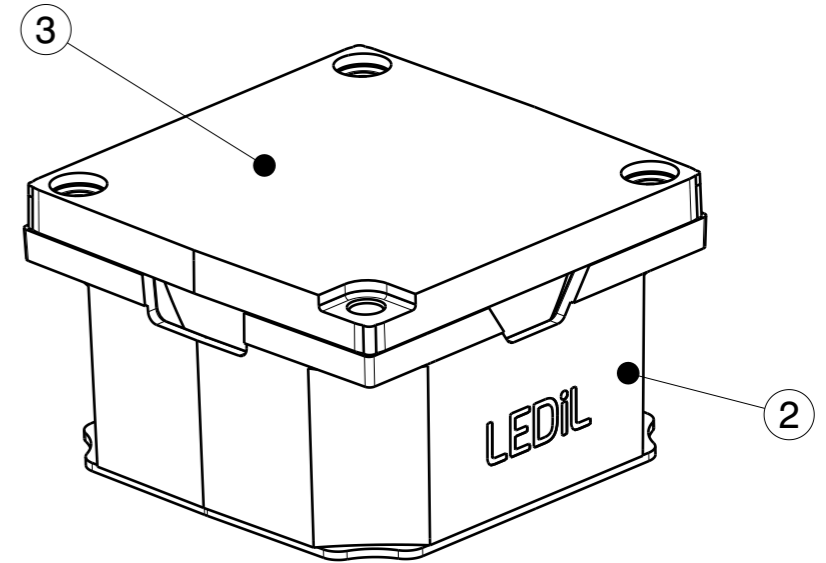
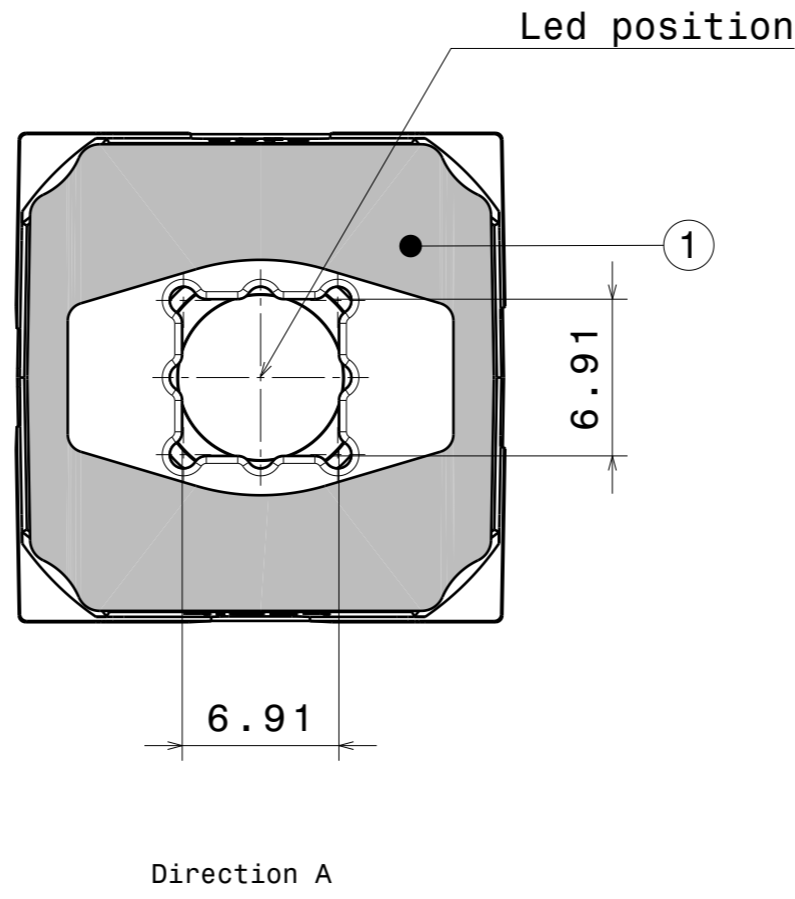
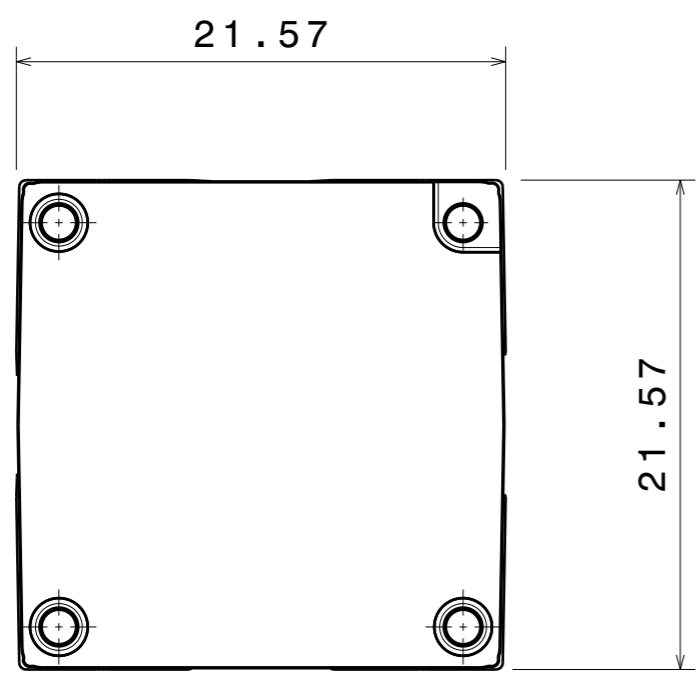


Relative intensity of FCA14464_G2-NIS033U-W_(NVSU333A 365nm)





A



Isometric view

INDEX	PART NO	DESCRIPTION	MATERIAL	COLOUR
1	C15050	ROSE-TAPE	PU 2-sided foam tape	adhesive
2	C14010	ROSE-LT-HLD-I-BLK	Pc	black
3	F14463	ROSE-UV-W	LSR	clear

Tolerances if not otherwise shown
 According to DIN ISO 2768-1
 Linear measures:
 up to 30mm class M, otherwise class C
 According to DIN ISO 2768-2
 Form and position: class L

LEDiL Ledil Oy
 Salorankatu 10
 FIN 24240 SALO
 Finland

THIRD ANGLE PROJECTION:

DRAWING TITLE
FCA14464_G2-NIS033U-W

This drawing is the property of LEDiL Oy. It may not be reproduced, copied or communicated without a written agreement with LEDiL Oy.

SIZE **A3** PART NUMBER **FCA14464**

SCALE **3:1** WEIGHT **4,5 g** SHEET **1/1**

NOTE: The typical divergence will be changed by different color, chip size and chip position tolerance. The typical total divergence is the full angle measured where the luminous intensity is half of the peak value.