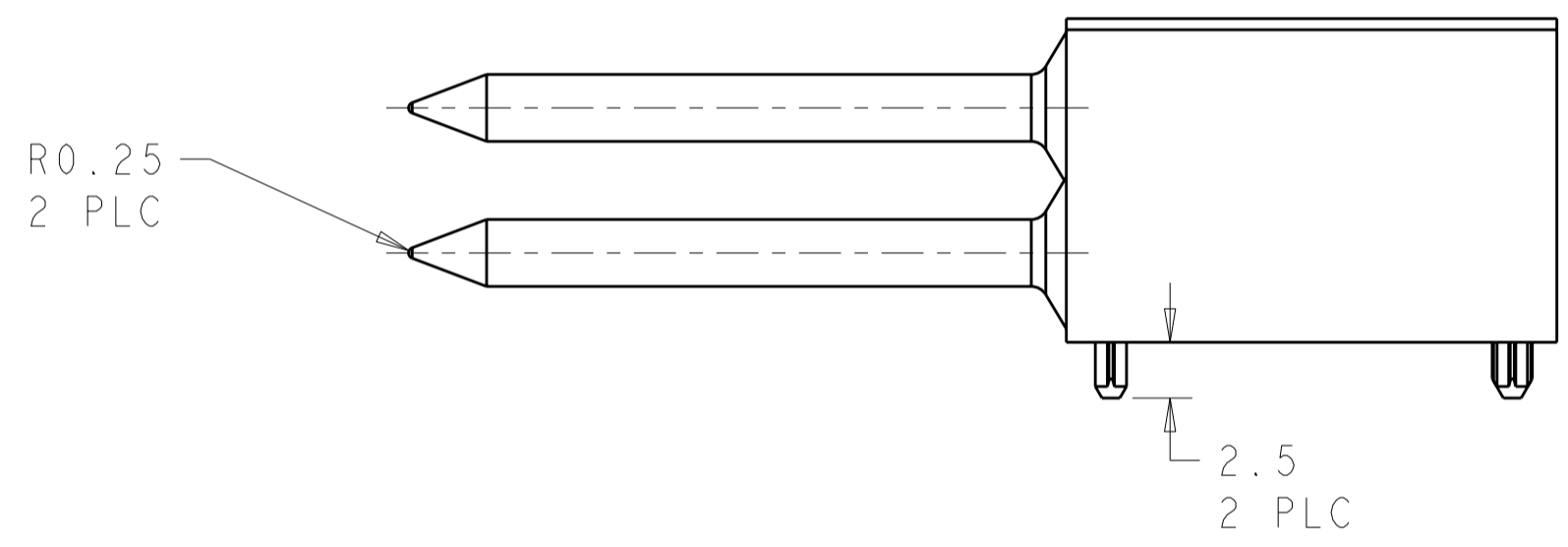
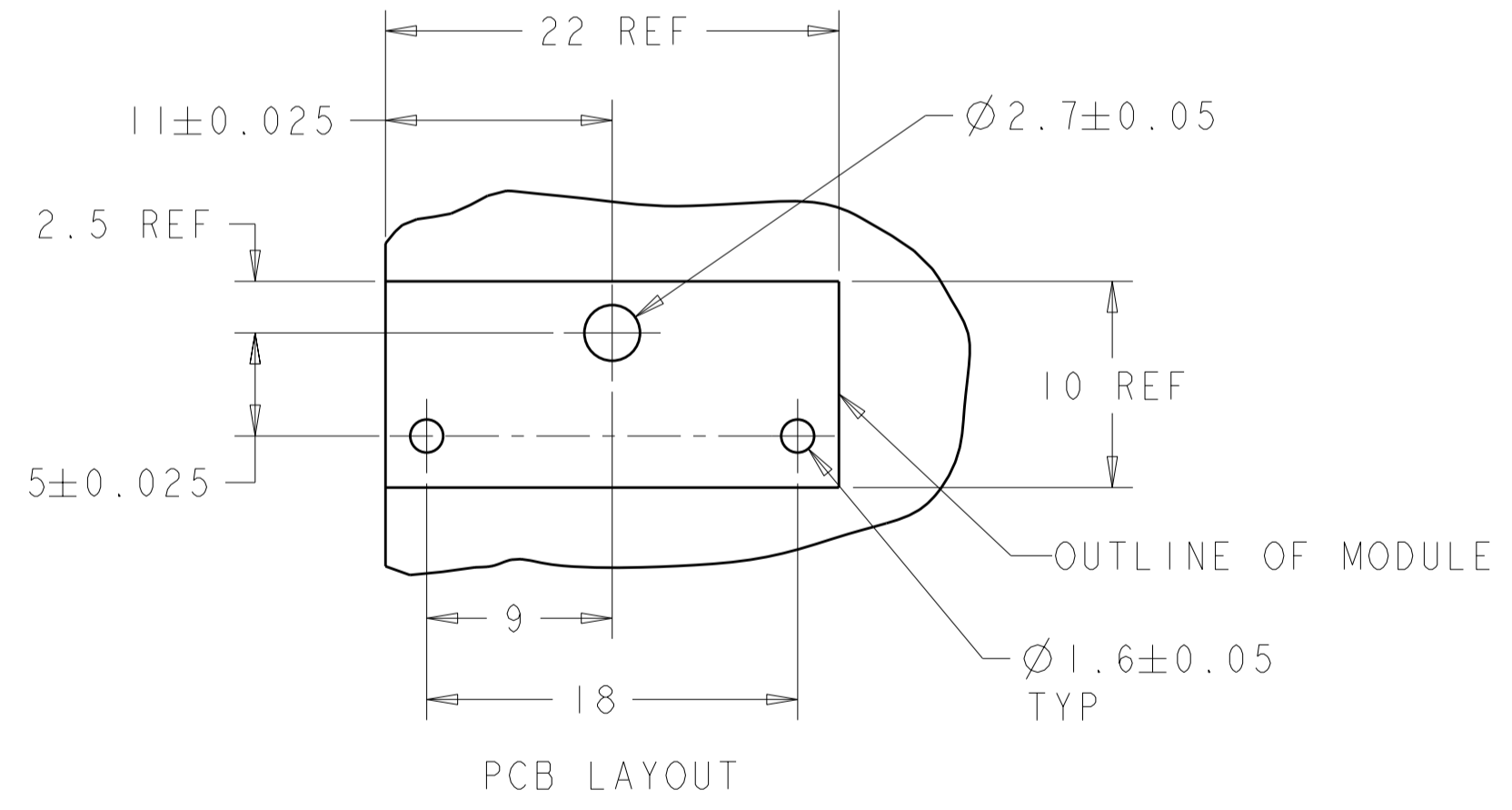
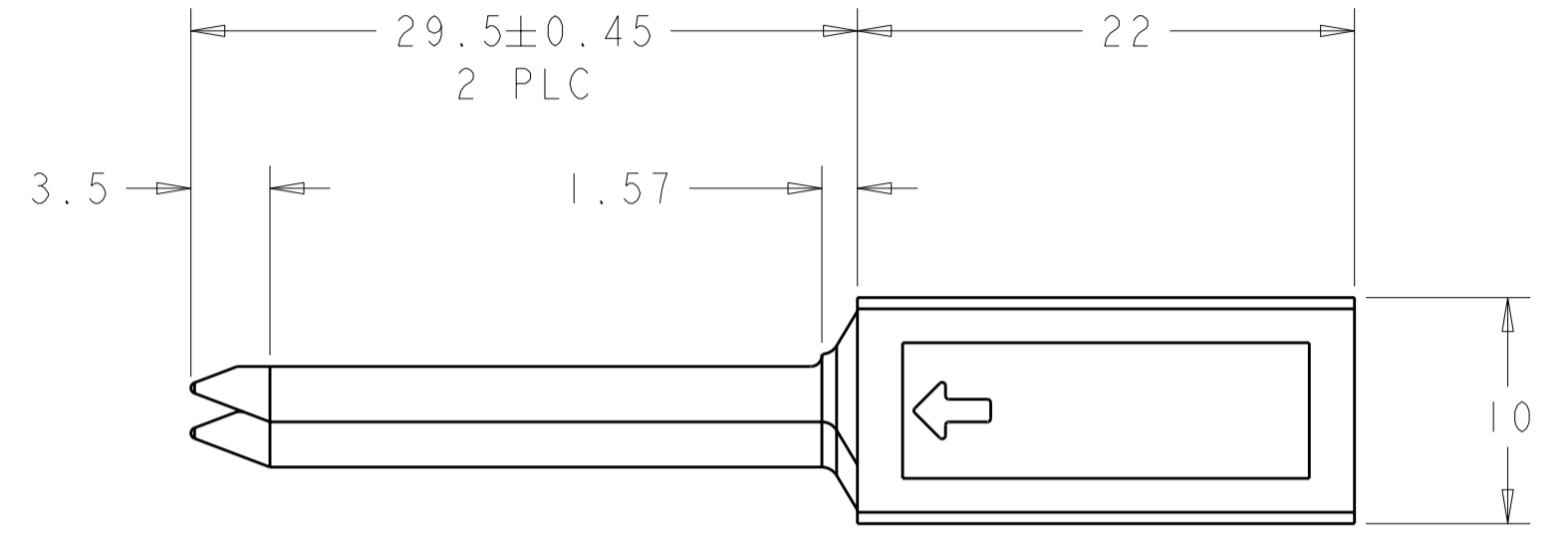
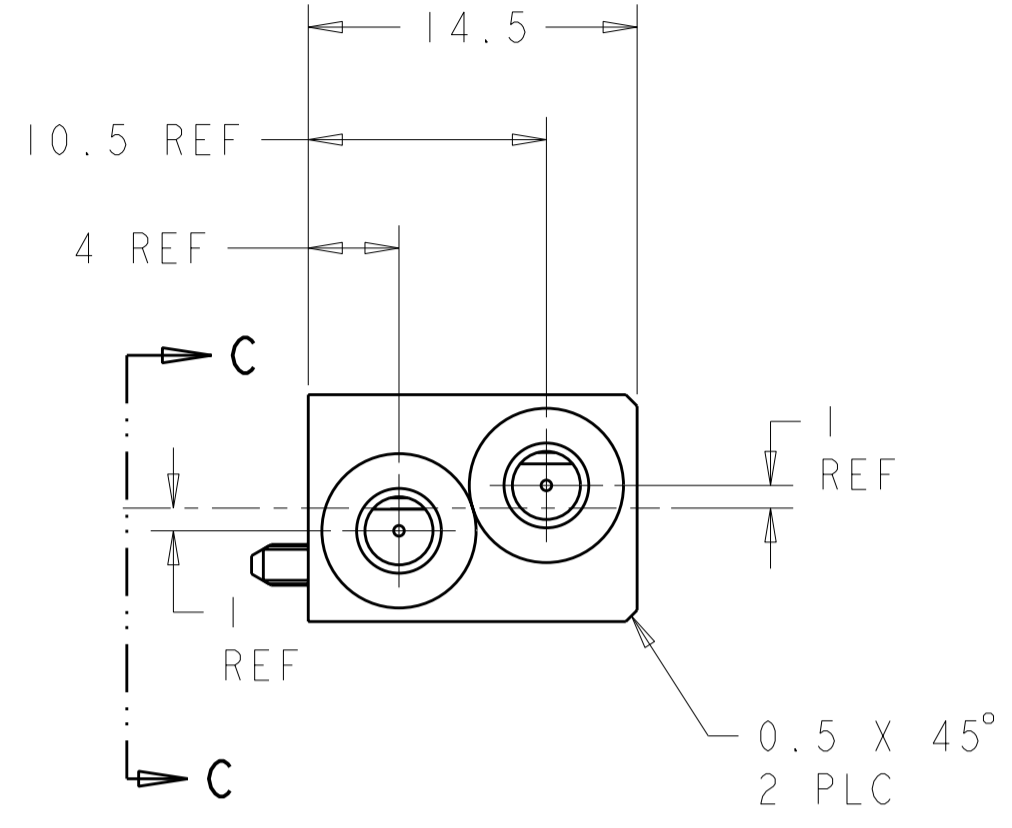
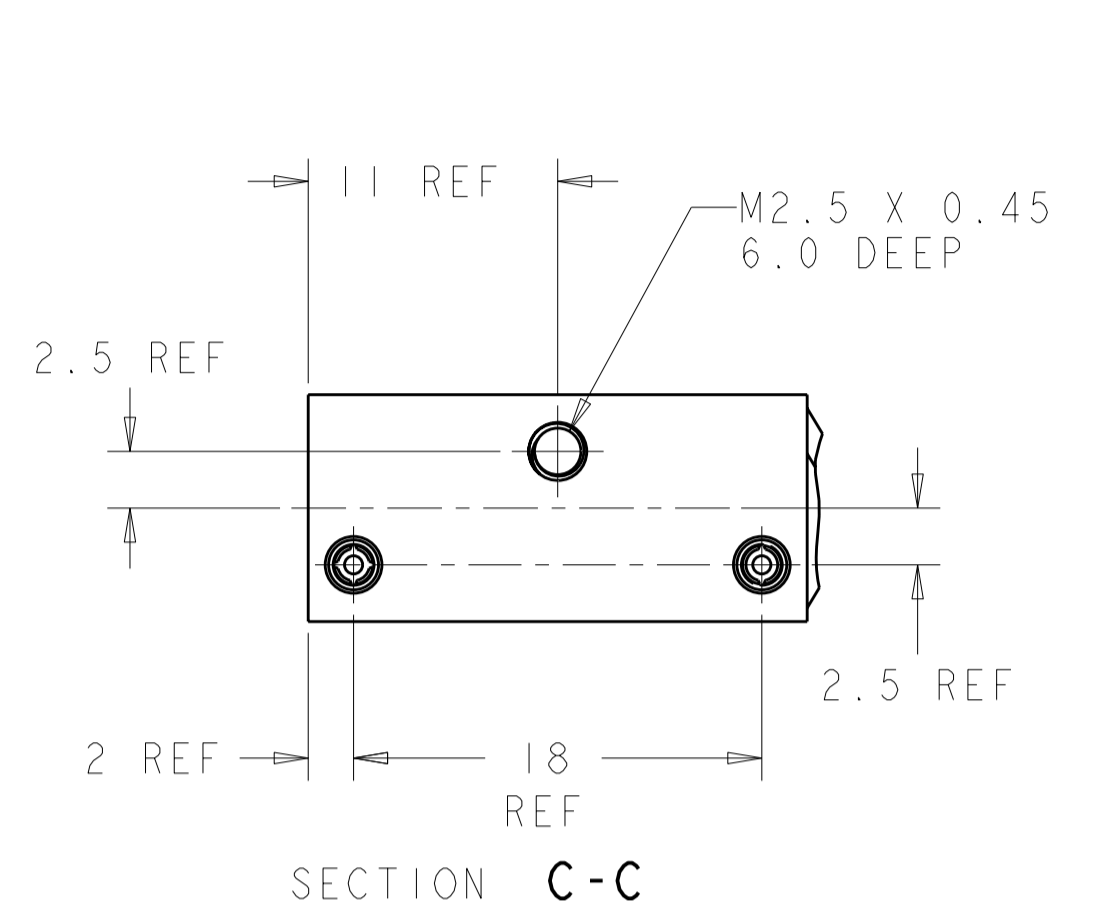


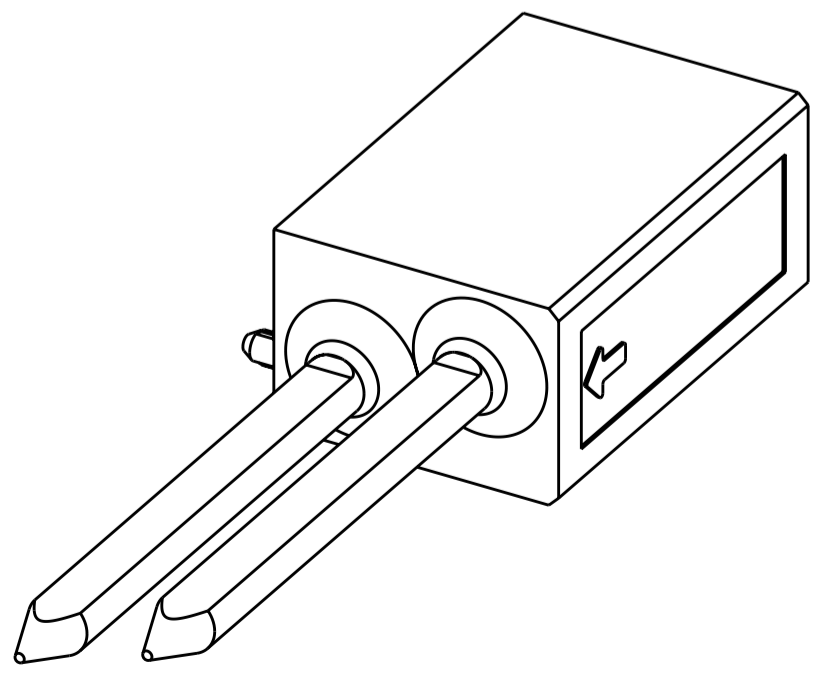
THIS DRAWING IS UNPUBLISHED. RELEASED FOR PUBLICATION 20
 © COPYRIGHT 20 ALL RIGHTS RESERVED.

REVISIONS				DATE	DWN	APVD
P	LTR	DESCRIPTION				
	D1	REVISED PER ECO-11-005027	23MAY2011	RK	HMR	



- RECOMMENDED MOUNTING HARDWARE - M2.5 X 0.45 SCREW, 7.0MM LONG UP TO 2.9 MM THICK PCB, 8.0MM LONG FOR 3.0 TO 4.0 MM THICK PCB, 10.0MM FOR 4.1 TO 6.0MM THICK PCB, 12.0MM FOR 6.1 TO 8.0MM THICK PCB. (HARDWARE NOT SUPPLIED WITH PART NUMBER)
- ENHANCED VERSION AVAILABLE FOR NEB'S DROP TEST. REFERENCE DRAWING 1469957.

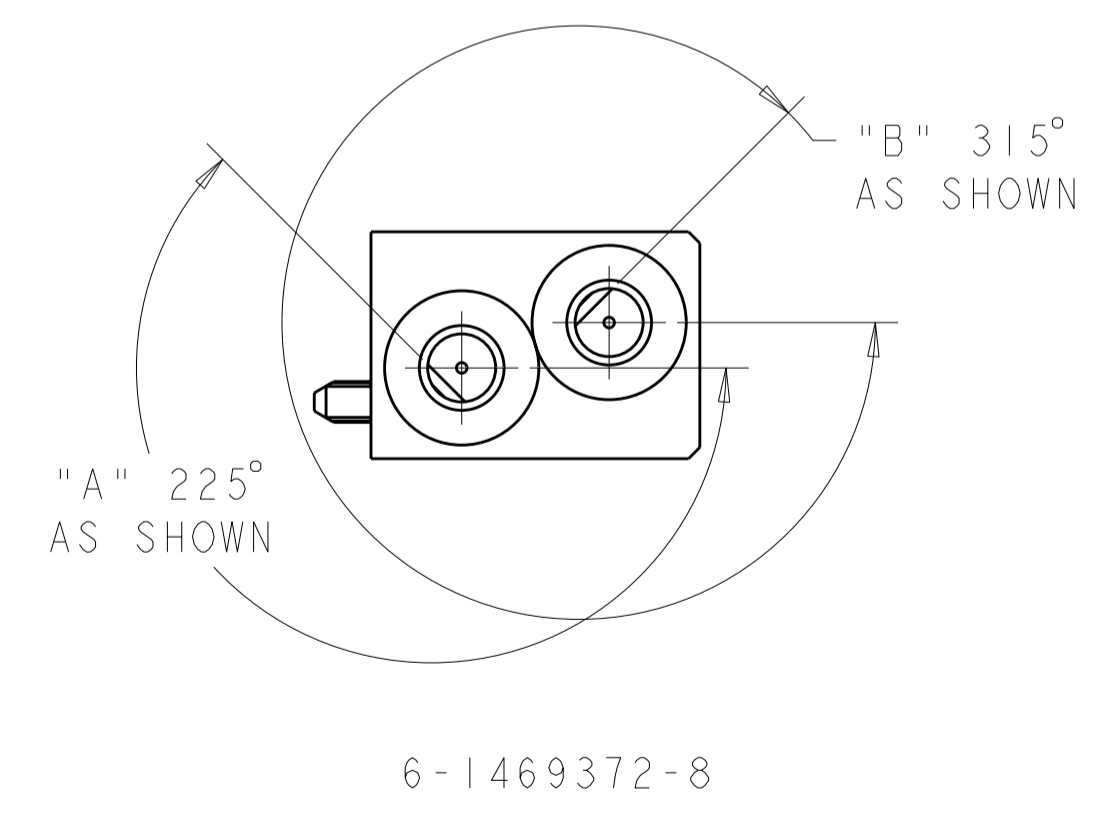
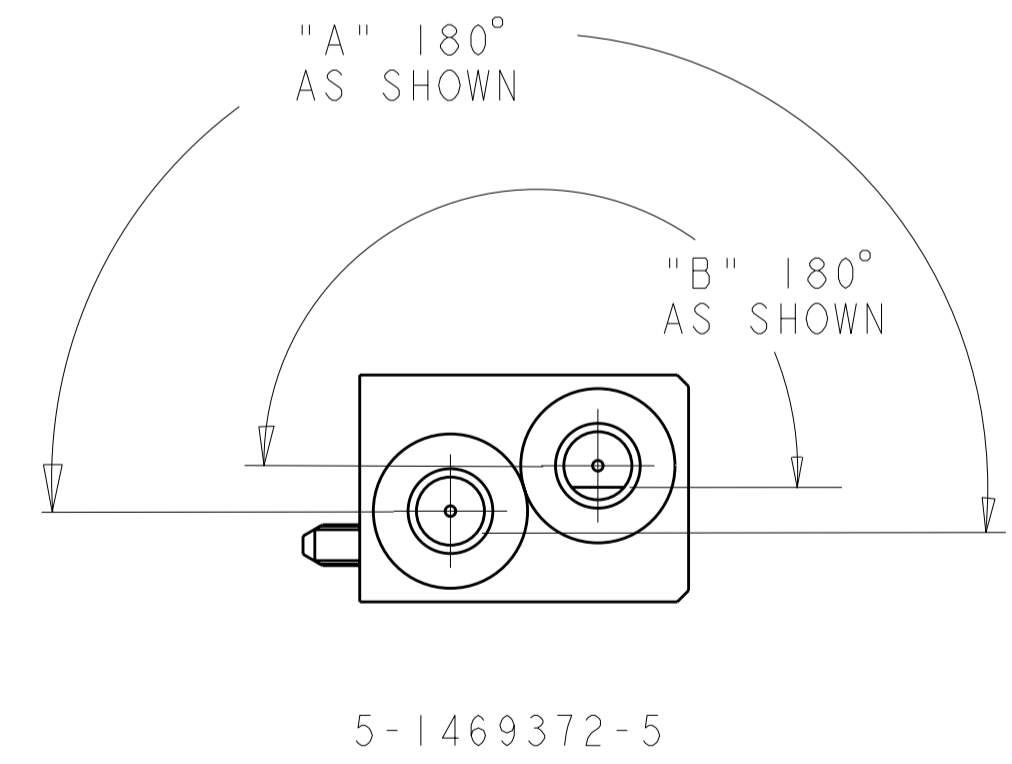
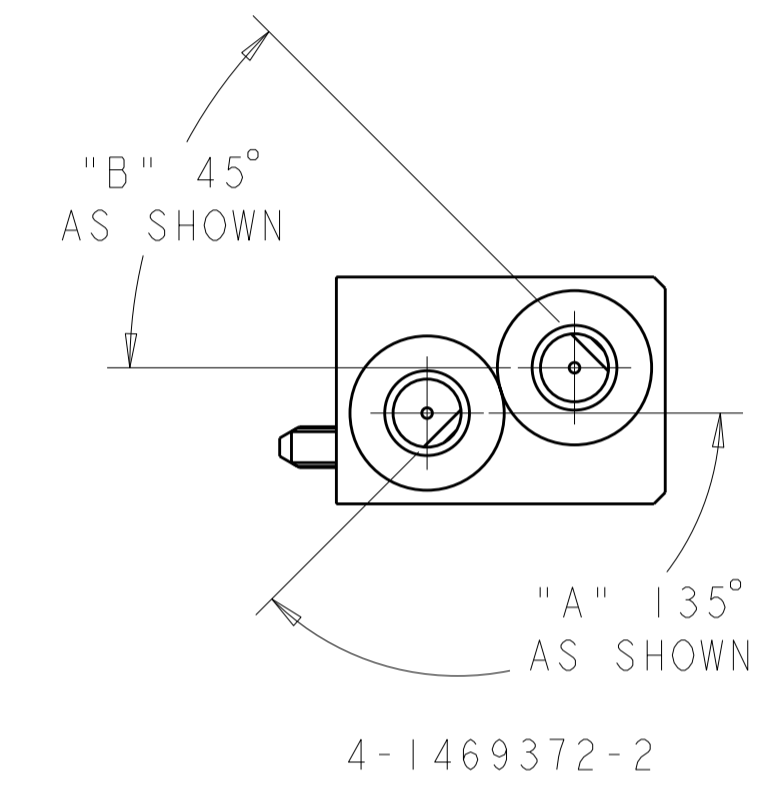
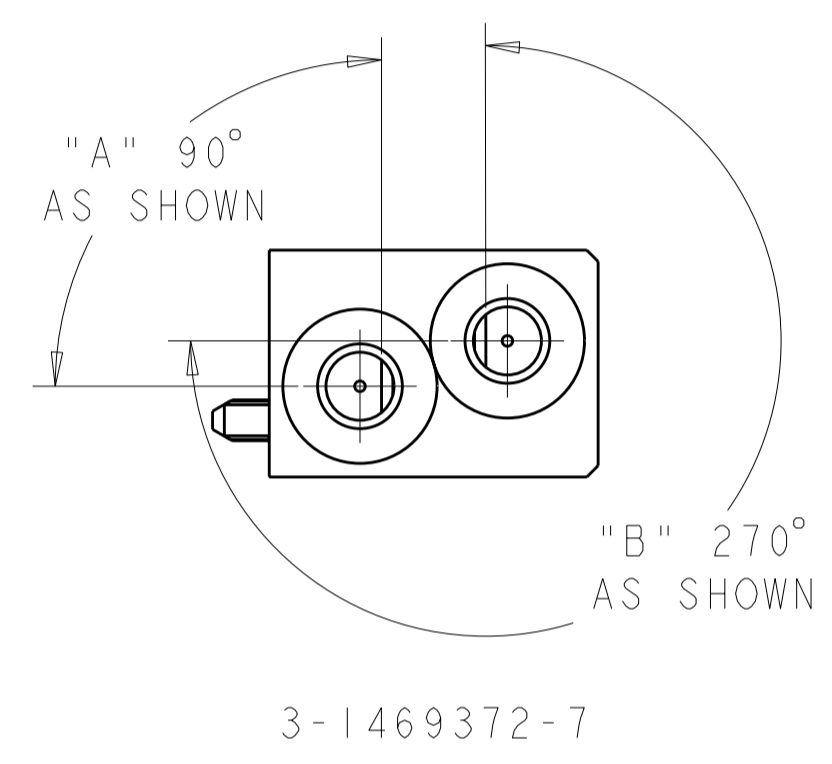
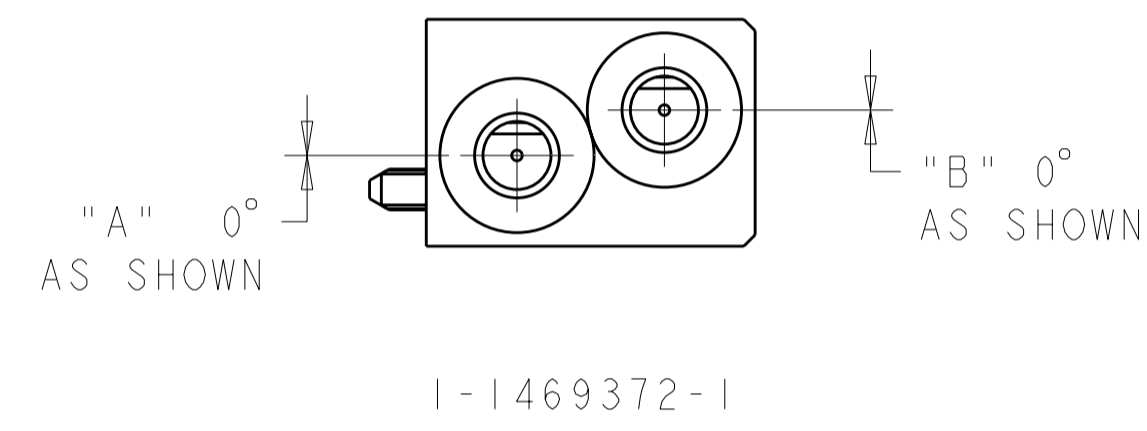
225°	315°	6 8	6-1469372-8
180°	180°	5 5	5-1469372-5
135°	45°	4 2	4-1469372-2
90°	270°	3 7	3-1469372-7
0°	0°	1 1	1-1469372-1
"A"	"B"	KEYING POS	PART NUMBER



THIS DRAWING IS A CONTROLLED DOCUMENT.		DWN D. SZCZESNY 17DEC02	TE Connectivity	
DIMENSIONS: mm		CHK R. PATTERSON 14SEP04		
TOLERANCES UNLESS OTHERWISE SPECIFIED:		APVD R. PATTERSON 14SEP04	NAME ATCA GUIDE MODULE (REAR TRANSITION MODULE - A2)	
0 PLC ±0.2 1 PLC ±0.2 2 PLC ±0.13 3 PLC ±0.005 4 PLC ±0.0200 ANGLES ±0.5 FINISH		PRODUCT SPEC -	SIZE A200779	
MATERIAL ZAMAK 3		APPLICATION SPEC -	DRAWING NO C-1469372	
NICKEL		WEIGHT -	RESTRICTED TO -	
CUSTOMER DRAWING		SCALE 3:1	SHEET 1 OF 2 REV D1	

THIS DRAWING IS UNPUBLISHED. RELEASED FOR PUBLICATION 20
 © COPYRIGHT 20 ALL RIGHTS RESERVED.

LOC	DIST	REVISIONS			
P	LTR	DESCRIPTION	DATE	DWN	APVD
AD	00	-	SEE SHEET 1	-	-



THIS DRAWING IS A CONTROLLED DOCUMENT.		DWN D. SZCZESNY 17DEC02	STE TE Connectivity	
DIMENSIONS: mm		CHK R. PATERSON 14SEP04		
TOLERANCES UNLESS OTHERWISE SPECIFIED:		APVD R. PATERSON 14SEP04	NAME ATCA GUIDE MODULE (REAR TRANSITION MODULE - A2)	
0 PLC ±0.2 1 PLC ±0.2 2 PLC ±0.13 3 PLC ±0.005 4 PLC ±0.0200 ANGLES ±0.5		PRODUCT SPEC -	SIZE A200779	
MATERIAL ZAMAK 3		APPLICATION SPEC -	DRAWING NO C-1469372	
FINISH NICKEL		WEIGHT -	RESTRICTED TO -	
CUSTOMER DRAWING		SCALE 3:1		SHEET 2 OF 2 REV D1