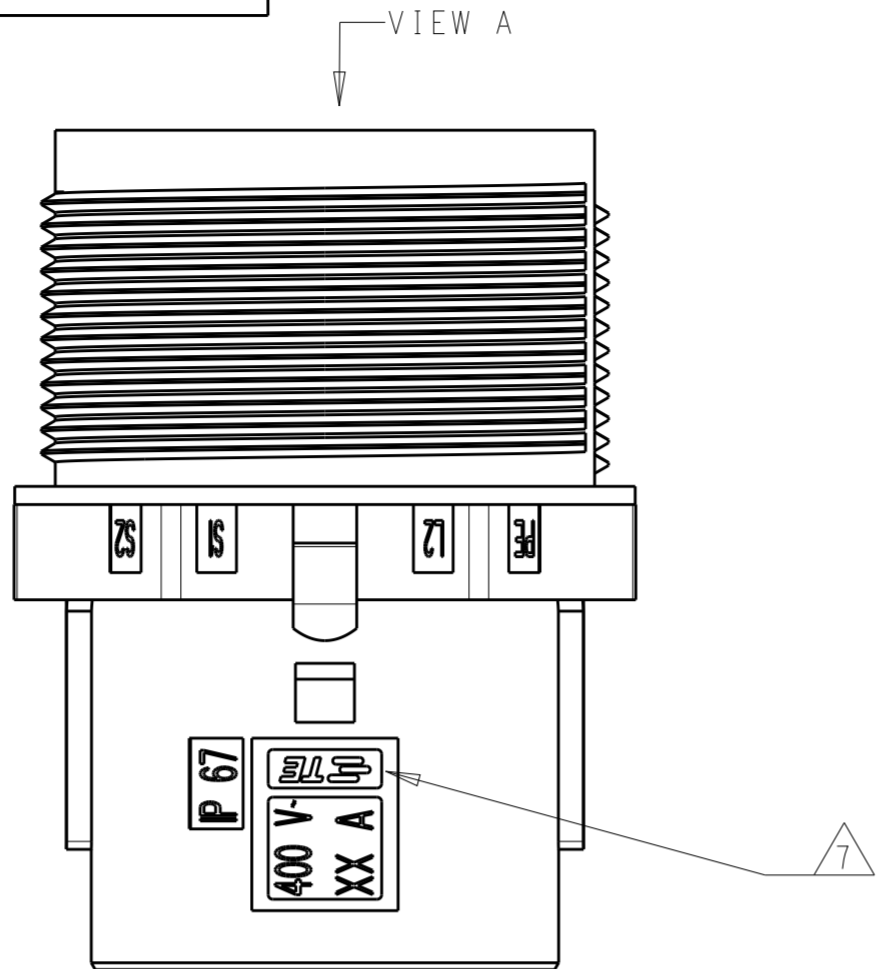
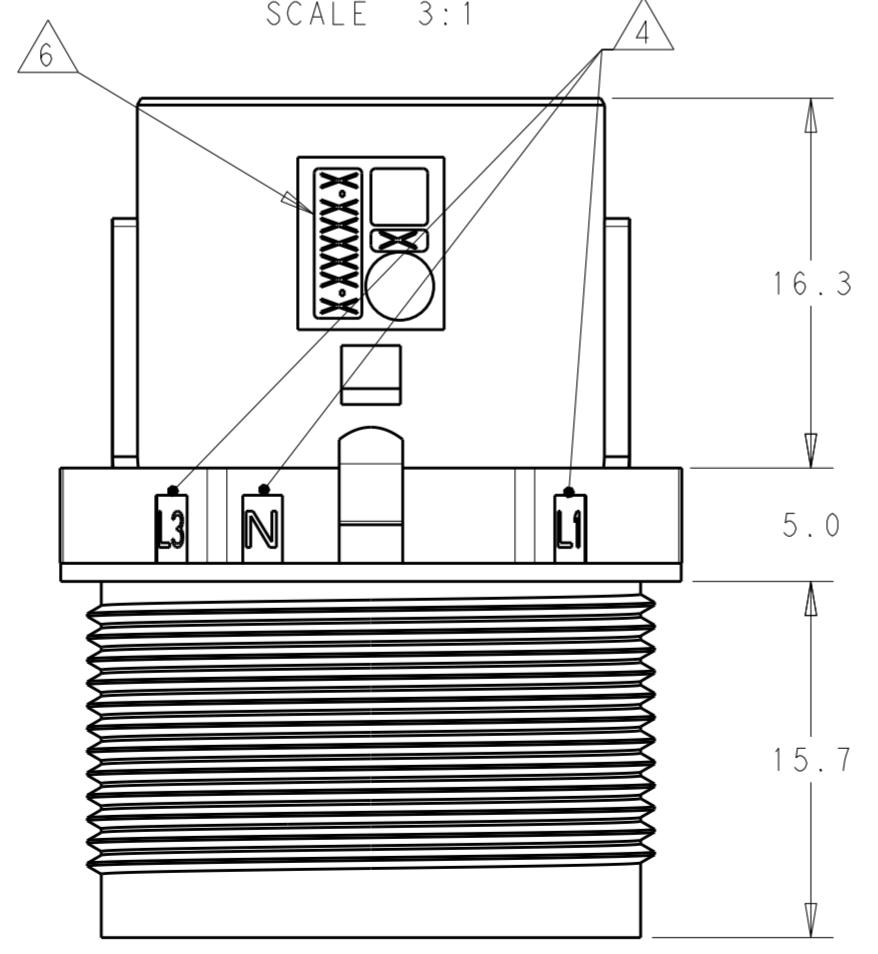
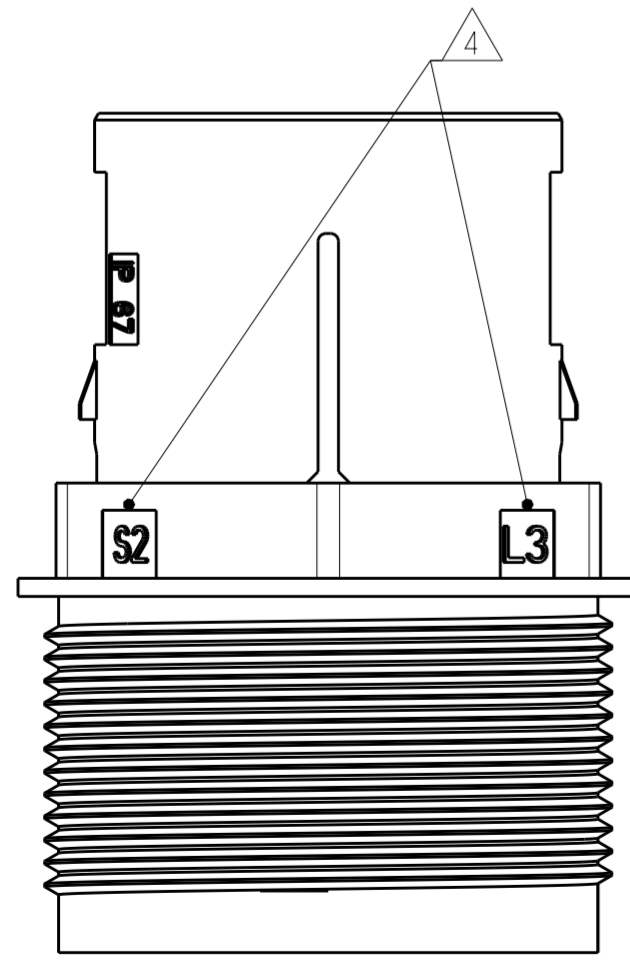
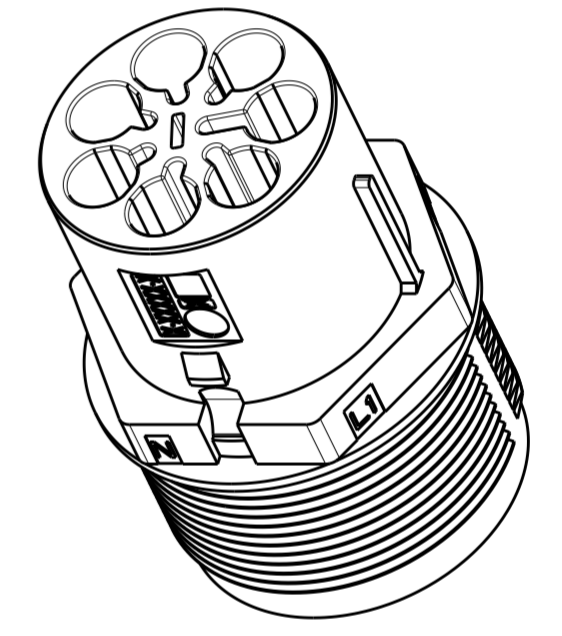
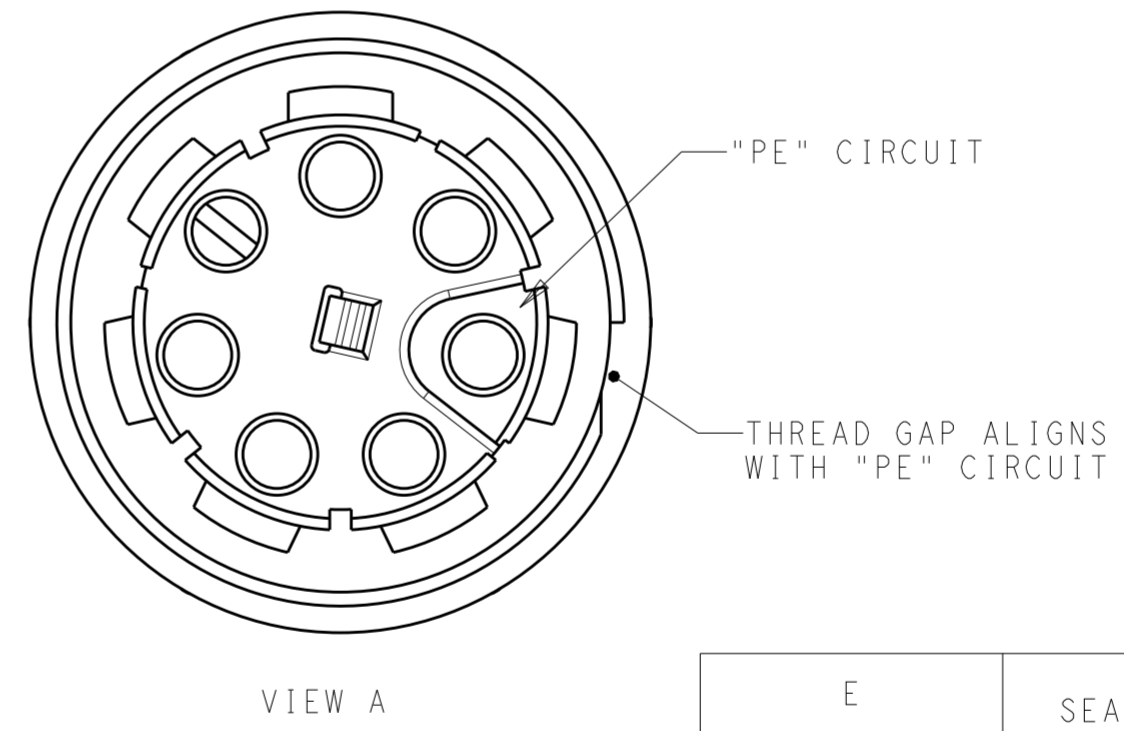
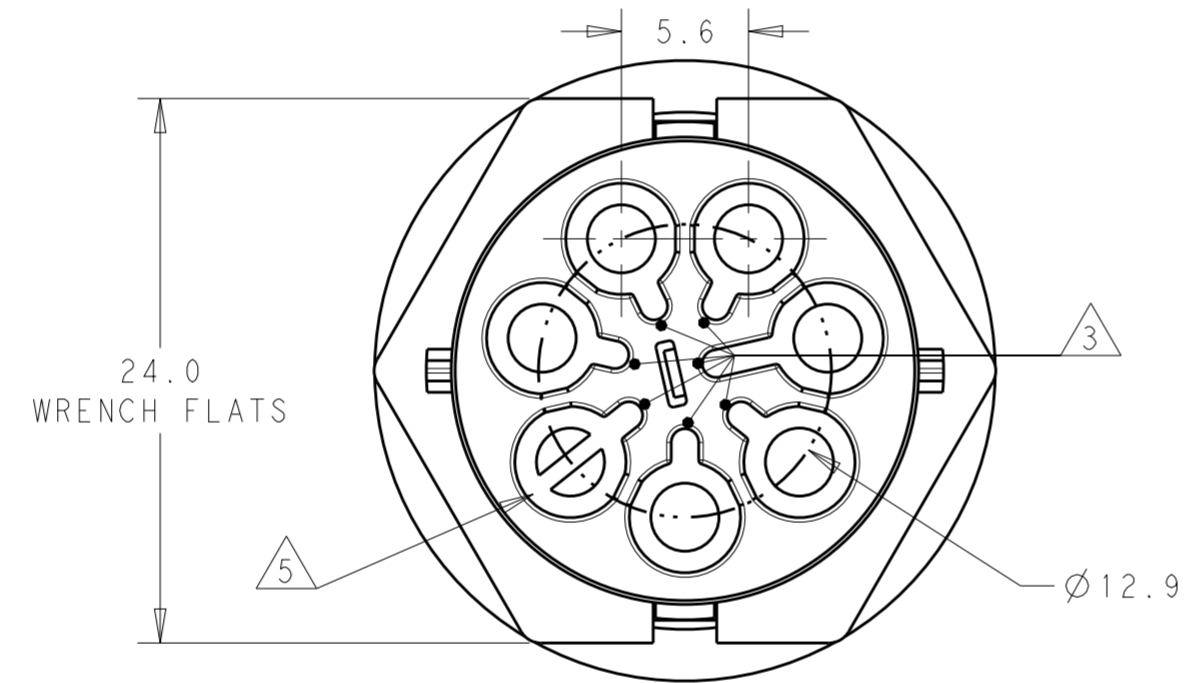


REVISIONS				
P	LTR	DESCRIPTION	DATE	APVD
A		REVISED AS PER ECR-15-005925	21APR2015	RS JL



- NOTES:
1. MATERIAL: GLASS FILLED PBT, COLOR: BLACK
  2. MUST COMPLY WITH DIRECTIVE 2002/95/EC (ROHS)
  3. ALL POLARIZATION KEYS SHOWN FOR REF ONLY.
  4. CIRCUIT I.D.
  5. CIRCUIT "L3" IS BLOCKED TO PREVENT CONTACT INSTALLATION.
  6. TE PART NUMBER
  7. TE LOGO
  8. THIS PRODUCT HAS NOT COMPLETED VALIDATION TESTING

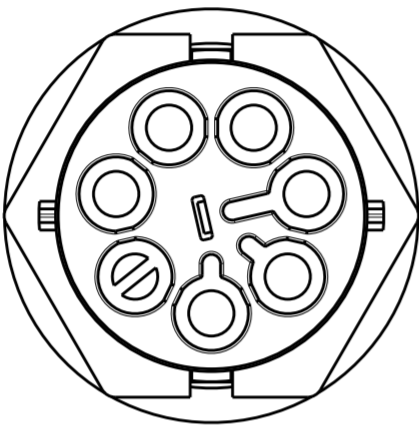
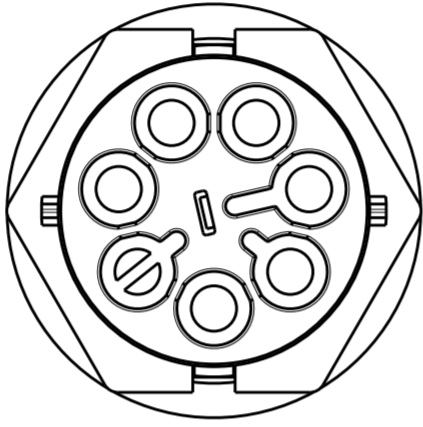
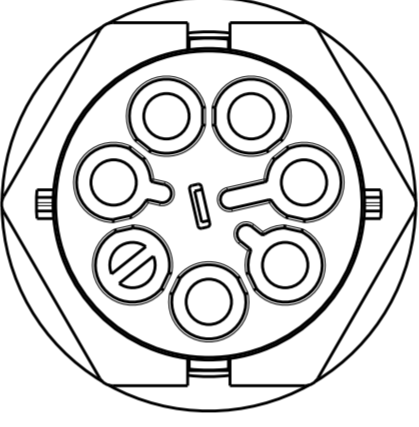
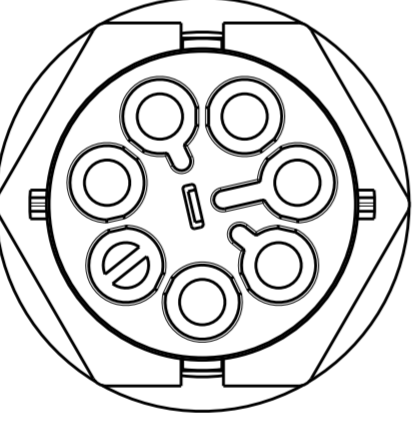
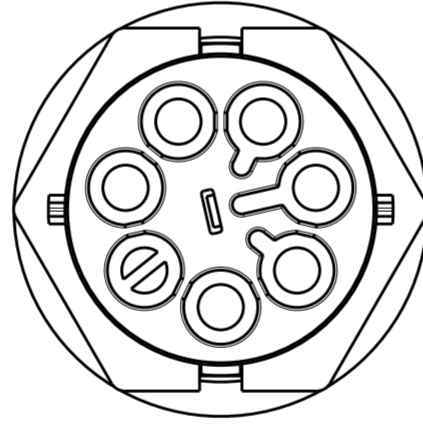



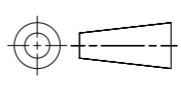
POLARIZATION TYPE	DESCRIPTION	PART NUMBER
E	FREE HANGING PIN. SEALED NECTOR M, 6 POSN	2213241-5
D	FREE HANGING PIN. SEALED NECTOR M, 6 POSN	2213241-4
C	FREE HANGING PIN. SEALED NECTOR M, 6 POSN	2213241-3
B	FREE HANGING PIN. SEALED NECTOR M, 6 POSN	2213241-2
A	FREE HANGING PIN. SEALED NECTOR M, 6 POSN	2213241-1

THIS DRAWING IS A CONTROLLED DOCUMENT.		DWN J. SHAFFER 21 JAN 2014	TE Connectivity	
DIMENSIONS: mm		CHK M. LUKSIC 21 JAN 2014		
TOLERANCES UNLESS OTHERWISE SPECIFIED:		APVD M. LUKSIC 21 JAN 2014	NAME	
0 PLC ±	1 PLC ±0.2	PRODUCT SPEC	FREE HANGING PIN HOUSING: SEALED NECTOR M-LINE, 6 POSN	
2 PLC ±0.13	3 PLC ±	108-133014	-	
4 PLC ±	ANGLES ±	APPLICATION SPEC	SIZE	CAGE CODE
FINISH		114-32111	A2	-
MATERIAL	NOTE 1	WEIGHT	DRAWING NO	RESTRICTED TO
			G-2213241	
Customer Drawing			SCALE 2:1	SHEET 1 OF 2
			REV A	

THIS DRAWING IS UNPUBLISHED. RELEASED FOR PUBLICATION 20  
 © COPYRIGHT 20 BY - ALL RIGHTS RESERVED.

REVISIONS				
P	LTR	DESCRIPTION	DATE	APVD
-		SEE SHEET 1	-	-

POLARIZATION TYPES		
POLARIZATION TYPE "A"	POLARIZATION TYPE "B"	POLARIZATION TYPE "C"
		
PN: 2213241-1	PN: 2213241-2	PN: 2213241-3
POLARIZATION TYPE "D"	POLARIZATION TYPE "E"	
		
PN: 2213241-4	PN: 2213241-5	

THIS DRAWING IS A CONTROLLED DOCUMENT.		DWN J. SHAFFER 21 JAN 2014	 TE Connectivity	
DIMENSIONS: mm		CHK M. LUKSIC 21 JAN 2014		
TOLERANCES UNLESS OTHERWISE SPECIFIED:		APVD M. LUKSIC 21 JAN 2014	NAME FREE HANGING PIN HOUSING: SEALED NECTOR M-LINE, 6 POSN	
		PRODUCT SPEC 108-133014	RESTRICTED TO	
MATERIAL NOTE 1		APPLICATION SPEC 114-32111	SIZE A2	CAGE CODE -
		WEIGHT -	DRAWING NO C-2213241	
		Customer Drawing	SCALE 2:1	SHEET 2 OF 2
				REV A