

15

XSTO 1

RCA connectors

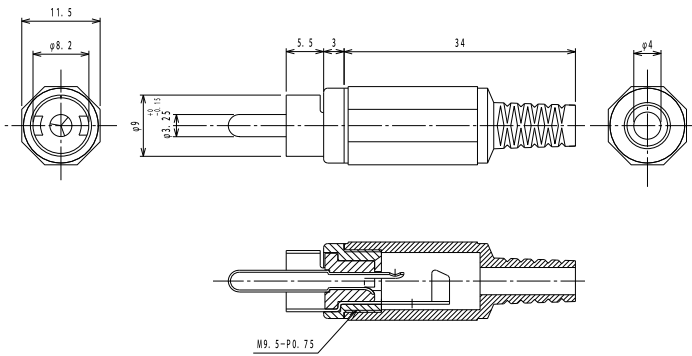


RCA plug acc. to JEITA RC-5231, straight version, with bend protection and solder terminals

State: Active

15

XSTO 1



Environmental conditions

Temperature range -20 °C/+70 °C

Materials

Insulating body	ABS
Inner contact	CuZn, nickel-plated
Outer contact	steel, nickel-plated
Housing	PE

Connectable conductors for solder area

Cable diameter 4 mm

Electrical data (at T_{amb} 20 °C)

Rated current	2 A
Rated voltage	34 V AC/DC
Rated impulse voltage	250 V/60 s
Insulation resistance	≥ 100 MΩ

Associated products

Counterparts		
 1552 02 V	 1553 02	 4514
 BTO 1	 BTO 1 V	 BTOR 1
 KTO 1	 XKTO 1	

15

XSTO 1

Designation	Pole Number	PU (Pieces)	MDQ (Pieces)
XSTO 1 GELB (yellow/jaune)	2	100	1000
XSTO 1 ROT (red/rouge)	2	100	1000
XSTO 1 SCHWARZ (black/noir)	2	100	1000
XSTO 1 WEISS (white/blanc)	2	100	1000

Packaging:

in bulk, in a cardboard box or a plastic bag