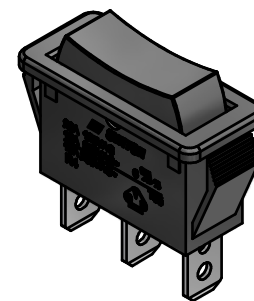
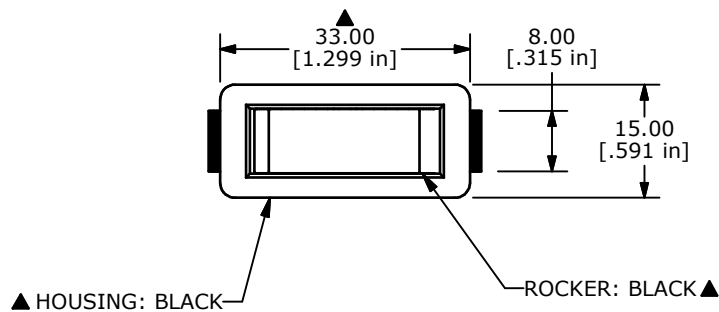
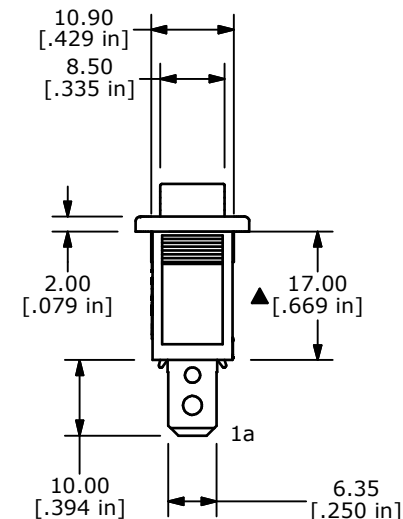
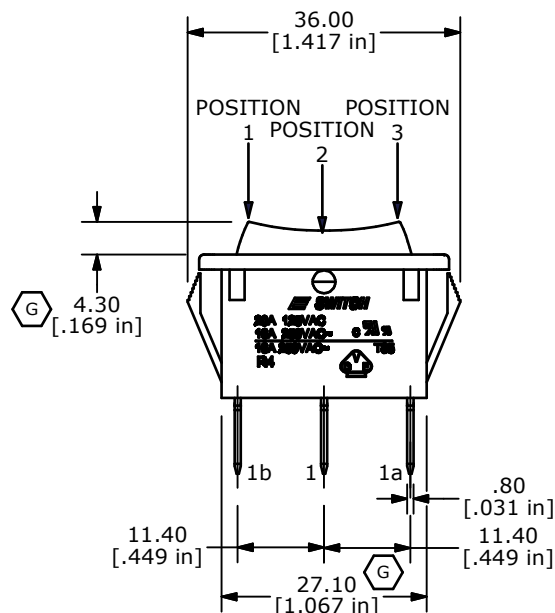
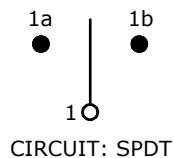


RECOMMENDED PANEL MOUNTING

| PANEL THICKNESS | X± 0.05 |
|-----------------|---------|
| 0.75-1.25       | 29.65   |
| 1.25-2.00       | 30.15   |
| 2.00-3.00       | 30.50   |



| SWITCH FUNCTION |        |        |
|-----------------|--------|--------|
| POS. 1          | POS. 2 | POS. 3 |
|                 |        |        |
| ON              | OFF    | ON     |
| 1-1a            | OPEN   | 1-1b   |



NOTES:

- ALL DIMENSIONS IN MM [INCH]
- GENERAL TOLERANCE: X.X=± 0.4  
X.XX=± 0.25
- TERM. NOS. FOR REF. ONLY
- RATING: 10A 250VAC, 15A 125VAC UL APPROVED  
16A 250VAC VDE APPROVED
- ELECTRICAL LIFE: OVER 10,000 CYCLES
- MECHANICAL LIFE: OVER 30,000 CYCLES
- CONTACT RESISTANCE: <20 mΩ(INITIAL)
- DIELECTRIC STRENGTH: >1500V 1 min
- INSULATION RESISTANCE: >1,000 mΩ @ 500V DC
- OPERATING TEMPERATURE: TERMINAL SIDE -20°C to 85°C  
ROCKER SIDE -20°C to 55°C
- ▲ DENOTES CRITICAL PARAMETER
- 2002/95/EC (ROHS) COMPLIANT

|     |        |                    |          |     |
|-----|--------|--------------------|----------|-----|
| J   | 21028  | CORRECT VDE RATING | 2/13/13  | EBP |
| H   | 20101  | CORRECT RATING     | 08/17/11 | BMA |
| G   | 19940  | CORRECT DIMENSIONS | 05/11/11 | BMA |
| F   | 19823  | UPDATE DRAWING     | 04/06/11 | BMA |
| REV | PCR NO | DESCRIPTION        | DATE     | BY  |



TITLE R4DBLKBLKEF0

|       |           |    |         |     |
|-------|-----------|----|---------|-----|
| SCALE | DATE      | DR | DWG     | REV |
| 1:1   | 3/29/1999 | MM | M040107 | J   |

THE INFORMATION CONTAINED IN THIS DOCUMENT IS PROPRIETARY TO E-SWITCH AND IS NOT TO BE COPIED OR TRANSFERRED