



PRODUCT DATASHEET

Rose series

last update 16/12/2013

DETAILS

Product Number	FA10302_OSS-O
Family	Rose
Type	Assembly
Color	white
Diameter	21,6 + 21,6 mm
Height	13,9 mm
Style	square
Optic Material	PC
Holder Material	
Fastening	tape
Status	production ready
ROHS Compliant	Yes
Date Updated	16/12/2013

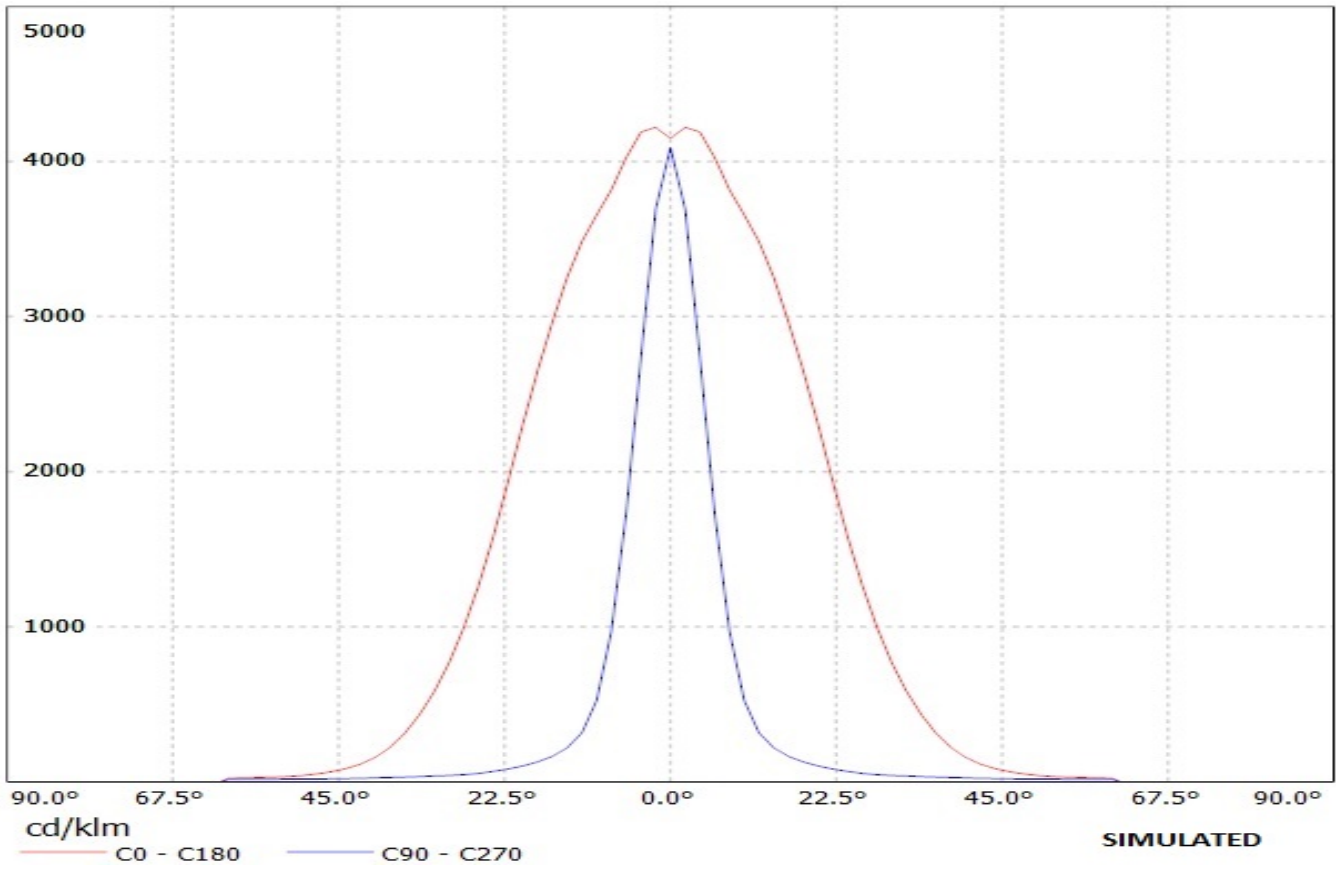


OPTICAL PROPERTIES

LED	Viewing Angle	Light Beam	Efficiency	cd/lm	Connector
Golden Dragon+	42+11 deg	Oval	86 %	4.200	-

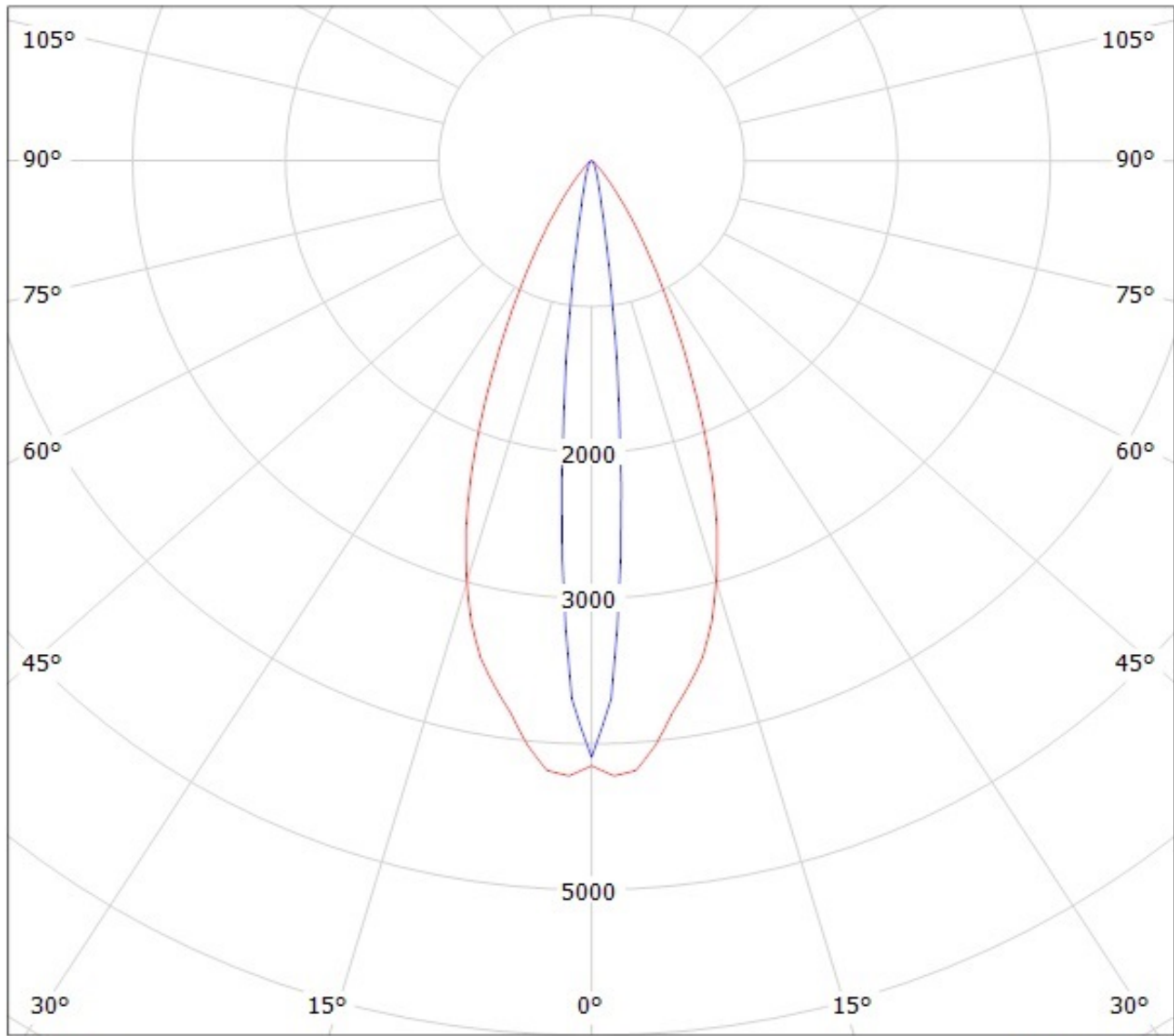
Ledil Oy FA10302_OSS-O FA10302_OSS-O / LDC (Linear)

Luminaire: Ledil Oy FA10302_OSS-O FA10302_OSS-O
Lamps: 1 x OSRAM-OS GOLDEN DRAGON+ (white)



Ledil Oy FA10302_OSS-O FA10302_OSS-O / LDC (Polar)

Luminaire: Ledil Oy FA10302_OSS-O FA10302_OSS-O
Lamps: 1 x OSRAM-OS GOLDEN DRAGON+ (white)



cd/klm

— C0 - C180

— C90 - C270

SIMULATED

NOTE: The typical divergence will be changed by different color, chip size and chip position tolerance. The typical total divergence is the full angle measured where the luminous intensity is half of the peak value.