



PRODUCT DATASHEET

Tina series

last update 1/4/2016

DETAILS

Product Number	CA12047_TINA2-O
Family	Tina
Type	Assembly
Color	white
Diameter	16,1 mm
Height	10,12 mm
Style	round
Optic Material	PMMA
Holder Material	
Fastening	tape
Status	production ready
ROHS Compliant	Yes
Date Updated	1/04/2016



OPTICAL PROPERTIES

LED	Viewing Angle	Light Beam	Efficiency	cd/lm	Connector
Golden Dragon+	36+12 deg	Oval	89 %	5.300	-

D

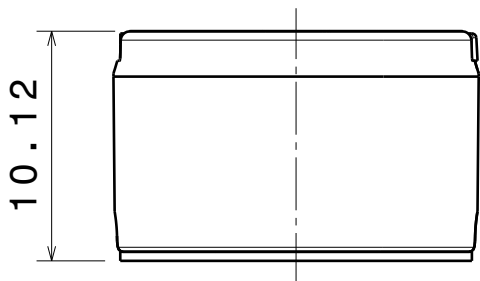
C

B

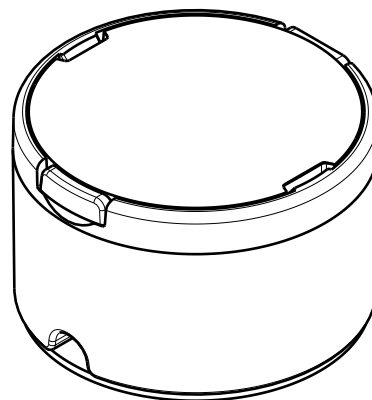
A

4

4

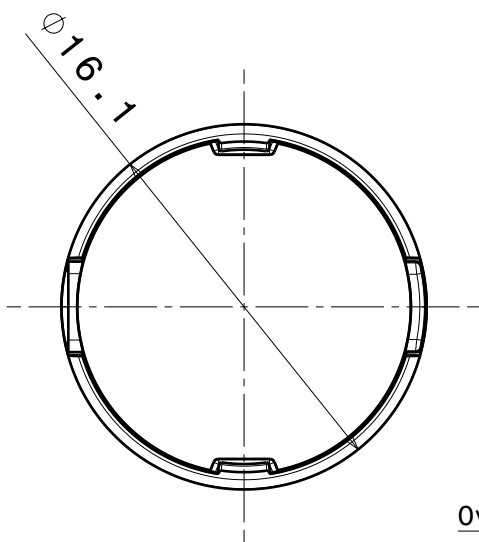


Front view

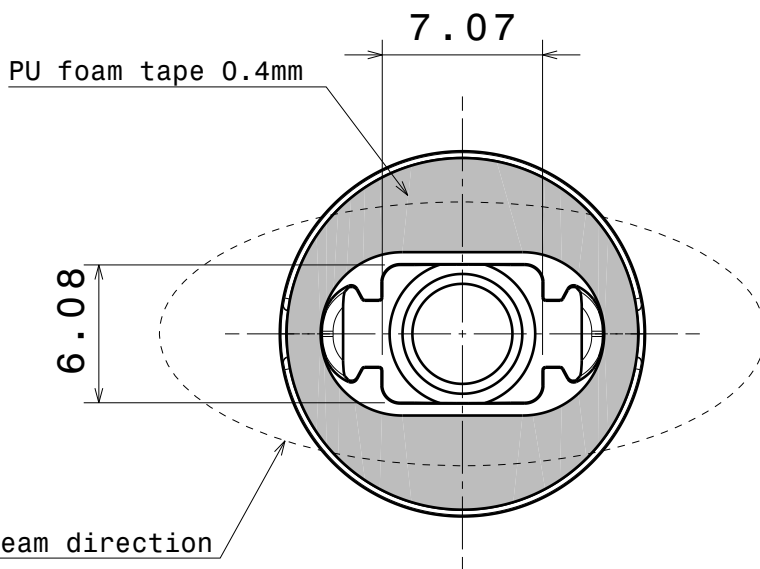
Isometric view
Scale: 3:1

3

3



Top view



Bottom view

2

2

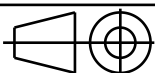
INDEX	PART NO	DESCRIPTION	MATERIAL	COLOUR
1	C11849	TINA2-0-PLUS-HLD-WHT	PC	white
	C12045	TINA2-0-PLUS-0	PMMA	clear

Tolerances if not otherwise shown
According to DIN ISO 2768-1
Linear measures:
Up to 30mm class M, otherwise class C.
According to DIN ISO 2768-2
Form and position: class L

LEDiL

Ledil Oy
Salorankatu 10
FIN 24240 SALO
Finland

THIRD ANGLE PROJECTION:



DRAWING TITLE

CA12047_TINA2-0

This drawing is the property
of LEDiL Oy. It may not be
reproduced, copied or
communicated without a written
agreement with LEDiL Oy.

SIZE PART NUMBER

A4

CA12047

SCALE

3:1

WEIGHT

2 g

SHEET

1/1

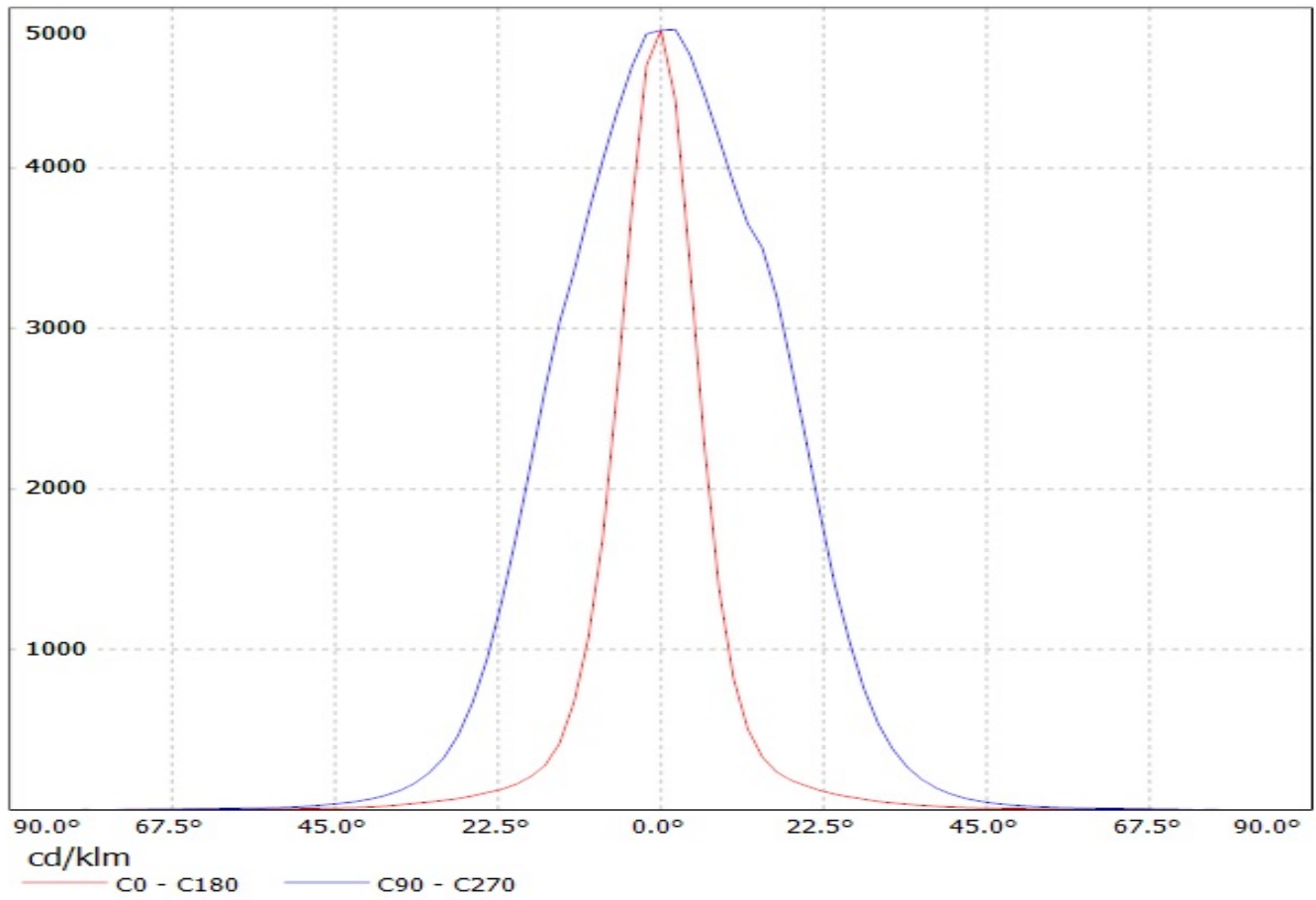
1

1

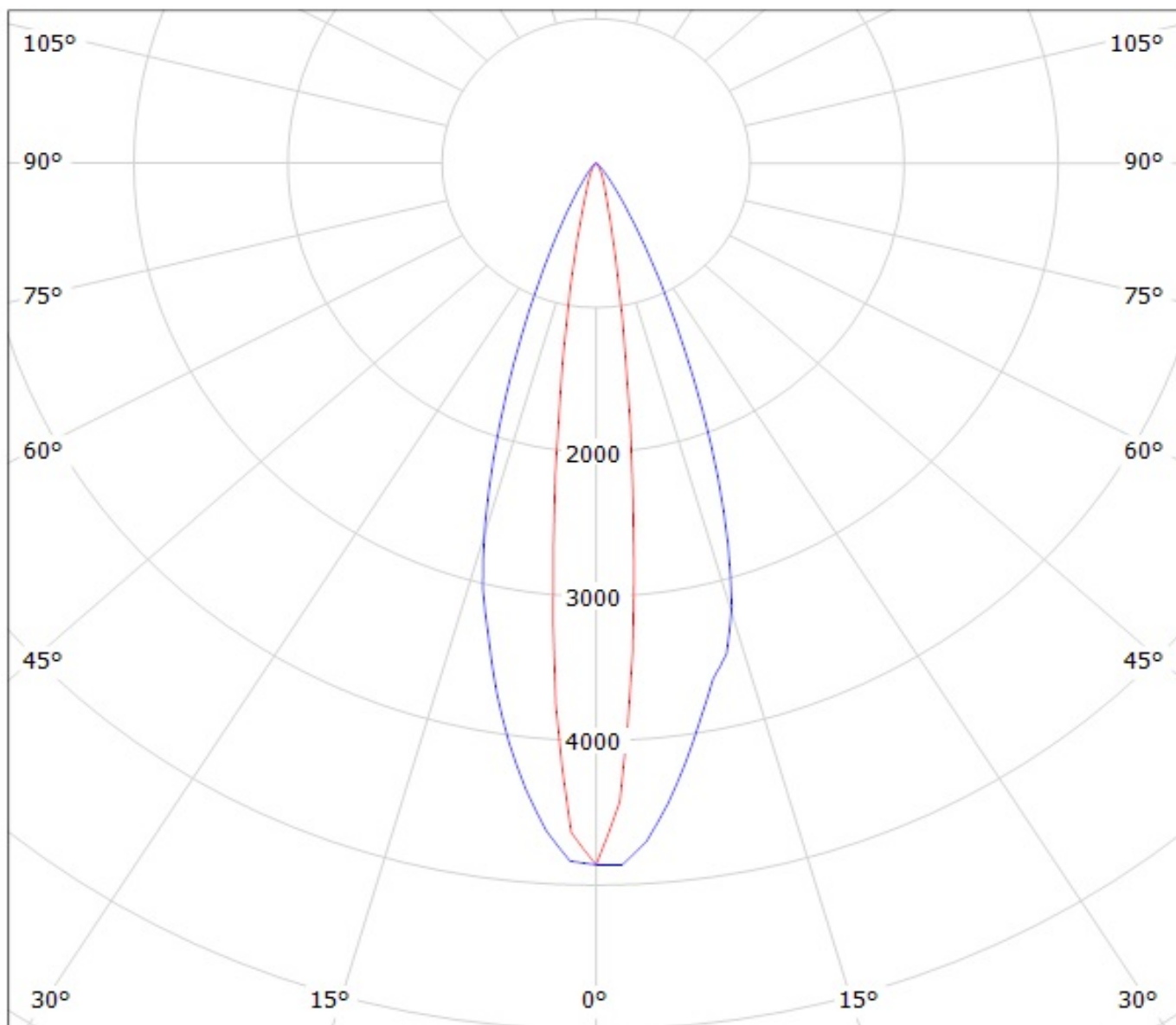
D

A

Luminaire: Ledil Oy CA12047_TINA2-O (OSRAM Golden Dragon+ 82 lm @ 250 mA) Efficiency=89%
Lamps: 1 x OSRAM Golden Dragon+ 82 lm @ 250 mA



Luminaire: Ledil Oy CA12047_TINA2-O (OSRAM Golden Dragon+ 82 lm @ 250 mA) Efficiency=89%
Lamps: 1 x OSRAM Golden Dragon+ 82 lm @ 250 mA



cd/klm

— C0 - C180

— C90 - C270

NOTE: The typical divergence will be changed by different color, chip size and chip position tolerance. The typical total divergence is the full angle measured where the luminous intensity is half of the peak value.