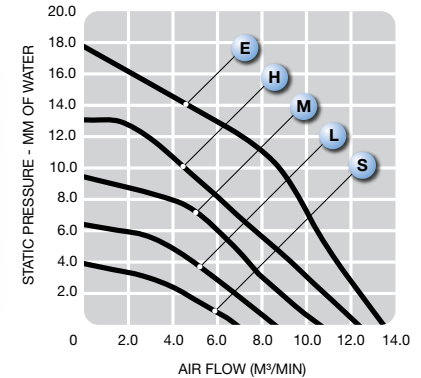
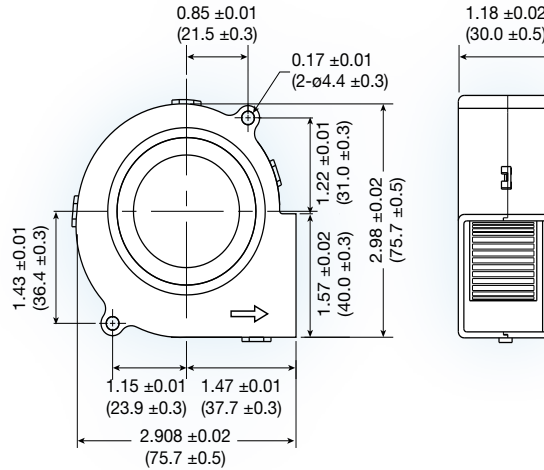


# B7530 series



**(76 x 76 x 30 mm)**

2.98 x 2.98 x 1.18 inches

Construction: UL94V-0 PBT impeller & frame

Bearing option: ball bearing or sleeve

Connection: lead wires

Protection: thermal

Options: tachometer output or locked rotor alarm signal

Model No.	Rated Voltage V	Current mA		Speed RPM	Air Volume		Max. Static Pressure (H <sub>2</sub> O)		Sound Noise dB <sub>A</sub>	Weight g
		12	24		M <sup>3</sup> /Min.	CFM	MM	INCH		
<b>B7530S</b>	12/24	130	90	2,000	0.20	6.9	3.9	0.16	28	87
<b>B7530L</b>	12/24	180	120	2,500	0.24	8.6	6.4	0.26	36	87
<b>B7530M</b>	12/24	270	180	3,000	0.30	10.6	9.4	0.38	38	87
<b>B7530H</b>	12/24	450	240	3,500	0.35	12.3	13.1	0.52	43	87
<b>B7530E</b>	12/24	500	300	3,800	0.38	13.5	17.7	0.71	45	87