

RoHS Compliant

26.0 x 26.0 x 24.5 (39.5) mm



Features

- Large switching capacity up to 40A
- Small size and light weight
- PCB pin and quick connect mounting available
- Suitable for automobile and lamp accessories
- QS-9000, ISO-9002 Certified Manufacturing

Contact Data*

Contact Arrangement	1A = SPST N.O. 1B = SPST N.C. 1C = SPDT
Contact Rating	1A : 40A @ 14VDC 1B : 30A @ 14VDC 1C : 40A @ 14VDC N.O. and : 30A @ 14VDC N.C.

Contact Resistance	< 30 milliohms initial
Contact Material	AgSnO ₂
Maximum Switching Power	630W
Maximum Switching Voltage	75VDC
Maximum Switching Current	40A

Coil Data*

Coil Voltage VDC		Coil Resistance Ω +/- 10%		Pick Up Voltage VDC (max)	Release Voltage VDC (min)	Coil Power W	Operate Time ms	Release Time ms
Rated	Max	1.6W	1.9W	70% of rated voltage	10% of rated voltage			
6	7.8	22.5	19	4.20	6	1.60 or 1.90	7	5
12	15.6	90	75.8	8.40	1.2			
24	31.2	360	303.2	16.80	2.4			
48	62.4	1440	1212	33.60	4.8			

General Data*

Electrical Life @ rated load	100K cycles, average	
Mechanical Life	10M cycles, average	
Insulation Resistance	100M Ω min. @ 500VDC initial	
Dielectric Strength	Coil to Contact	750V rms min. @ sea level initial
	Contact to Contact	500V rms min. @ sea level initial
Shock Resistance	147m/s ² for 11 ms	
Vibration Resistance	1.5mm double amplitude 10~40Hz	
Terminal (Copper Alloy) Strength	8N (quick connect), 4N (PCB pins)	
Operating Temperature	-40°C to +125°C	
Storage Temperature	-40°C to +155°C	
Solderability	260°C for 5 s	
Weight	31g	

* Values can change due to the switching frequency, desired reliability levels, environmental conditions and in-rush load levels. It is recommended to test actual load conditions for the application. It is the user's responsibility to determine the performance suitability for their specific application. The use of any coil voltage less than the rated coil voltage may compromise the operation of the relay.

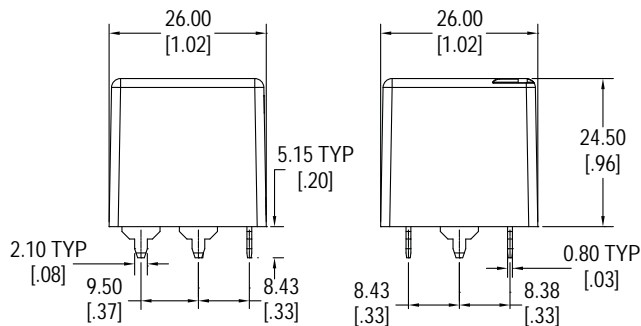
A2

Ordering Information

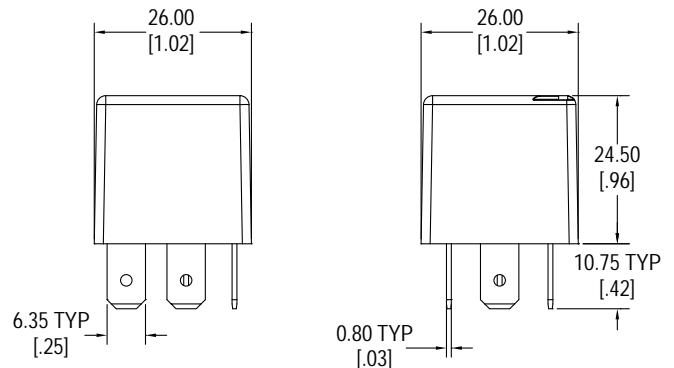
1. Series	A2	1C	S	Q	12VDC	1.6
A2 standard A2F with mounting flange A2M with metal bracket A2S with metal bracket and shroud						
2. Contact Arrangement						
1A = SPST N.O. 1B = SPST N.C. 1C = SPDT						
3. Sealing Option						
S = Sealed C = Dust Cover *not available with A2S						
4. Termination						
P = PCB Pins *not available with A2S Q = Quick Connect						
5. Coil Voltage						
6VDC 12VDC 24VDC 48VDC						
6. Coil Power						
1.6 = 1.6W 1.9 = 1.9W						
7. Coil Suppression						
Blank = Standard D = Diode (1N4005) Cathode on "86" terminal D1 = Diode (1N4004) Cathode on "86" terminal R = Resistor (180Ω for 6VDC; 680Ω for 12VDC; 2700Ω for 24VDC) 2D = 2 Diodes (1N4005) DR = Diode & Resistor Cathode on "86" terminal (1N4005 & 180Ω for 6VDC; 680Ω for 12VDC; 2700Ω for 24VDC) ** Consult factory if other values are needed						

Dimensions

Units = mm



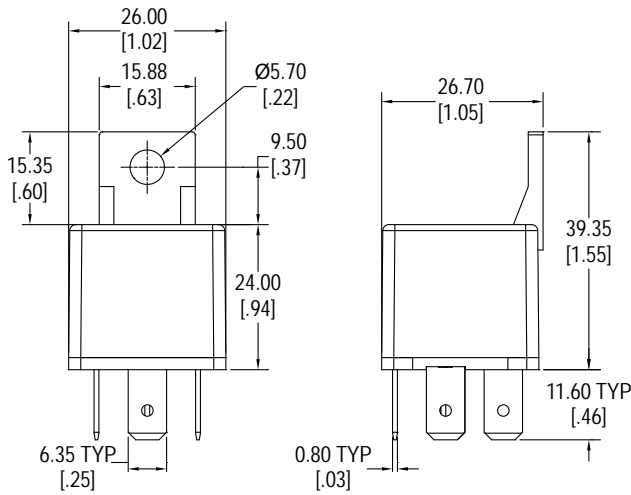
A2 with PC Pins



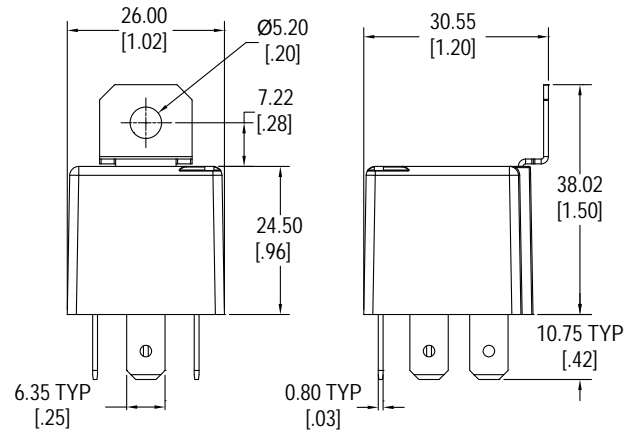
A2 with Quick Connect

Dimensions

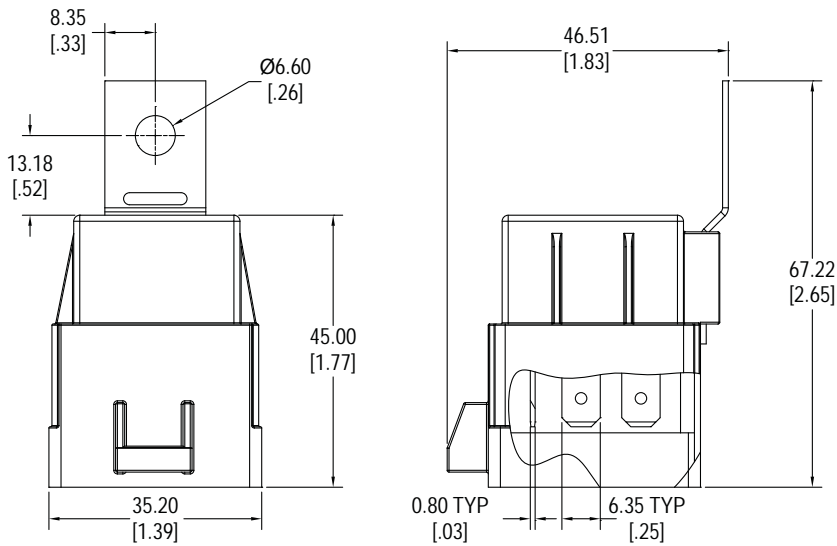
Units = mm



A2F with Quick Connect



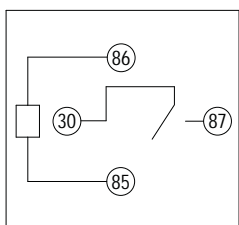
A2M with Quick Connect



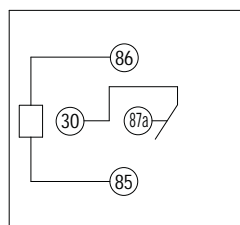
A2S with Quick Connect

Schematics & PC Layouts

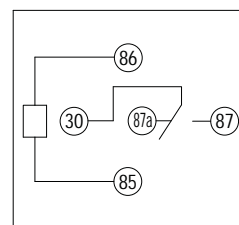
Bottom Views



1A



1B



1C

