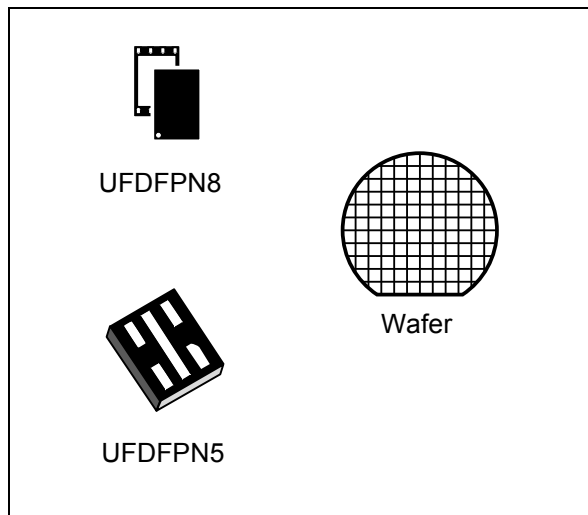


---

**NFC Forum Type 4 Tag IC with 2-Kbit EEPROM and  
general purpose digital output**

---

Datasheet - production data

**Features****Contactless interface**

- NFC Forum Type 4 Tag
- ISO/IEC 14443 Type A
- 106 Kbps data rate
- Internal tuning capacitance: 50 pF

**Memory**

- 256-byte (2-kbit) EEPROM
- Support of NDEF data structure
- Data retention: 200 years
- Endurance: 1 million erase-write cycles
- Read up to 255 bytes in a single command
- Write up to 54 bytes in a single command
- Chaining capability
- 7 bytes unique identifier (UID)
- 128 bits passwords protection
- 20 bits event counter with anti-tearing
- RF field detect

**Package**

- UDFPN8 ECOPACK<sup>®</sup>2
- UDFPN5 ECOPACK<sup>®</sup>2

**Digital pad**

- GPO: Configurable General Purpose Output driven by an Open drain transistor.

**Description**

The ST25TA02K-D device is a dynamic NFC/RFID tag IC with a general purpose digital output.

It embeds an EEPROM memory. It can be operated from a 13.56 MHz RFID reader or an NFC phone.

The ST25TA02K-D is an NFC Forum Type 4 Tag; it communicates using the ISO/IEC 14443 Type A protocol.

# Contents

<b>1</b>	<b>Functional description</b>	<b>8</b>
1.1	Functional modes	10
1.1.1	Tag mode	10
<b>2</b>	<b>Signal descriptions</b>	<b>11</b>
2.1	Antenna coil (AC0, AC1)	11
2.2	Ground ( $V_{SS}$ )	11
2.3	General Purpose Output (GPO)	12
2.3.1	Session Open configuration (GPO field = 0x10 or 0x90)	13
2.3.2	WIP Writing in Progress configuration (GPO field = 0x20 or 0xA0)	14
2.3.3	MIP NDEF Message writing in Progress configuration (GPO field = 0x30 or 0xB0)	15
2.3.4	INT Interrupt configuration (GPO field = 0x40 or 0xC0)	16
2.3.5	State Control configuration (GPO field = 0x50 or 0xD0)	17
2.3.6	RF busy configuration (GPO field = 0x60 or 0xE0)	18
2.3.7	Field detect configuration (GPO field = 0x70 or 0xF0)	19
<b>3</b>	<b>ST25TA02K-D memory management</b>	<b>20</b>
3.1	Memory structure	20
3.1.1	File identifier	20
3.1.2	CC file layout	20
3.1.3	NDEF file layout	21
3.1.4	System file layout	22
3.2	Read and write access rights to the NDEF File	23
3.2.1	State of the Read and Write access rights	23
3.2.2	Changing the read access right to NDEF files	24
3.2.3	Changing the write access right to NDEF files	25
3.3	Access right life time	25
3.4	NDEF file passwords	25
3.5	Read/Write counter	26
<b>4</b>	<b>Communication mechanism</b>	<b>27</b>
4.1	Master and slave	27

<b>5</b>	<b>RF command sets</b>	<b>28</b>
5.1	Structure of the command sets	29
5.2	I-Block format	29
5.2.1	C-APDU: payload format of a command	31
5.2.2	R-APDU: payload format of a response	31
5.3	R-Block format	32
5.4	S-Block format	33
5.5	CRC of the RF frame	34
5.6	NFC Forum Type 4 Tag protocol	34
5.6.1	Commands set	34
5.6.2	Status and error codes	34
5.6.3	NDEF Tag Application Select command	36
5.6.4	Capability Container Select command	36
5.6.5	NDEF Select command	37
5.6.6	System File Select command	38
5.6.7	ReadBinary command	39
5.6.8	UpdateBinary command	40
5.7	ISO/IEC 7816-4 commands	41
5.7.1	Verify command	41
5.7.2	Change Reference Data command	42
5.7.3	Enable Verification Requirement command	43
5.7.4	Disable Verification Requirement command	44
5.8	ST Proprietary command set	45
5.8.1	ExtendedReadBinary command	45
5.8.2	EnablePermanentState command	46
5.9	Specific RF command set	47
5.9.1	Anticollision command set	47
5.9.2	RATS command and ATS response	48
5.9.3	PPS command & response	49
<b>6</b>	<b>RF device operation</b>	<b>51</b>
6.1	Anticollision and Device Activation command set for the RF interface	51
6.2	Open an RF session	51
6.3	Close an RF session	51
6.4	Applicative command set	51

---

<b>7</b>	<b>Functional procedures</b> .....	<b>52</b>
7.1	Selection of an NDEF message .....	52
7.2	Reading of an NDEF message .....	52
7.3	Reading a locked NDEF file .....	52
7.4	Locking an NDEF file .....	52
7.5	Unlocking an NDEF file .....	53
7.6	Reaching the read-only state for an NDEF file .....	53
7.7	Changing a File type Procedure .....	53
<b>8</b>	<b>UID: Unique identifier</b> .....	<b>54</b>
<b>9</b>	<b>Maximum rating</b> .....	<b>55</b>
<b>10</b>	<b>GPO characteristics</b> .....	<b>56</b>
<b>11</b>	<b>GPO parameters</b> .....	<b>57</b>
<b>12</b>	<b>RF electrical parameters</b> .....	<b>58</b>
<b>13</b>	<b>Package information</b> .....	<b>59</b>
13.1	UFDFN8 package information .....	59
13.2	UFDFPN5 package information .....	61
<b>14</b>	<b>Part numbering</b> .....	<b>62</b>
<b>15</b>	<b>Revision history</b> .....	<b>63</b>

## List of tables

Table 1.	Signal names	9
Table 2.	Functional mode	10
Table 3.	File identifier	20
Table 4.	CC file layout for 1 NDEF file	20
Table 5.	NDEF file layout	21
Table 6.	Field list.	22
Table 7.	Details about the GPO field	22
Table 8.	Details about the Counter config field.	23
Table 9.	Read access right	23
Table 10.	Write access right	24
Table 11.	RF command sets.	28
Table 12.	I-Block format	29
Table 13.	PCB field of the I-Block format	30
Table 14.	C-APDU format.	31
Table 15.	R-APDU format.	31
Table 16.	R-Block format	32
Table 17.	R-Block detailed format	32
Table 18.	S-Block format	33
Table 19.	S-Block detailed format.	33
Table 20.	Command set overview	34
Table 21.	Status code of the ST25TA02K-D	34
Table 22.	Error code of the ST25TA02K-D.	35
Table 23.	C-APDU of the NDEF Tag Application Select command	36
Table 24.	R-APDU of the NDEF Tag Application Select command	36
Table 25.	C-APDU of the Capability Container Select command.	37
Table 26.	R-APDU of the Capability Container Select command.	37
Table 27.	C-APDU of the NDEF Select command	37
Table 28.	R-APDU of the NDEF Select command	38
Table 29.	C-APDU of the System File Select command.	38
Table 30.	R-APDU of the System File Select command.	38
Table 31.	C-APDU of the ReadBinary command	39
Table 32.	R-APDU of the ReadBinary command	39
Table 33.	C-APDU of the UpdateBinary command	40
Table 34.	R-APDU of the UpdateBinary command	40
Table 35.	Verify command format.	41
Table 36.	R-APDU of the Verify command	42
Table 37.	Change reference data command format.	42
Table 38.	R-APDU of the Change Reference Data command	43
Table 39.	Enable Verification Requirement command format	43
Table 40.	R-APDU of the Enable Verification Requirement command.	44
Table 41.	Disable Verification Requirement command format	44
Table 42.	R-APDU of the Disable Verification Requirement command	45
Table 43.	C-APDU of the ExtendedReadBinary command	45
Table 44.	R-APDU of the ExtendedReadBinary command	46
Table 45.	EnablePermanentState command format.	46
Table 46.	R-APDU table of the EnablePermanentState command	46
Table 47.	Commands issues by the RF host	47
Table 48.	Example of anticollision sequence	47

---

Table 49.	RATS command	48
Table 50.	Conversion from FDSI to FSD	48
Table 51.	ATS response	49
Table 52.	PPS command	50
Table 53.	Ascending and descending data rate coding	50
Table 54.	PPS response	50
Table 55.	UID format	54
Table 56.	Absolute maximum ratings	55
Table 57.	GPO Operating Conditions	56
Table 58.	DC characteristics	56
Table 59.	GPO timings measurement	57
Table 60.	Default operating conditions	58
Table 61.	RF characteristics	58
Table 62.	UFDFN8 - 8-lead, 2 × 3 mm, 0.5 mm pitch ultra thin profile fine pitch dual flat package mechanical data	60
Table 63.	UFDFPN5 - 5-lead, 1.7 × 1.4 mm, 0.55 mm thickness package mechanical data	61
Table 64.	Ordering information scheme for packaged devices	62
Table 65.	Document revision history	63

## List of figures

Figure 1.	ST25TA02K-D block diagram . . . . .	8
Figure 2.	Applicative schematic example . . . . .	9
Figure 3.	8-pin package connections . . . . .	9
Figure 4.	5-pin package connections . . . . .	9
Figure 5.	GPO configured as Session Open (GPO field = 0x10 or 0x90) . . . . .	13
Figure 6.	GPO configured as WIP (GPO field = 0x20 or 0xA0) . . . . .	14
Figure 7.	GPO configured as MIP (GPO field = 0x30 or 0xB0) . . . . .	15
Figure 8.	GPO configured as INT (GPO field = 0x40 or 0xC0) . . . . .	16
Figure 9.	GPO configured as State Control (GPO field = 0x50 or 0xD0) . . . . .	17
Figure 10.	GPO configured as RF busy (GPO field = 0x60 or 0xE0) . . . . .	18
Figure 11.	Field detect (GPO field = 0x70 or 0xF0) . . . . .	19
Figure 12.	Changing the read access right to an NDEF file . . . . .	24
Figure 13.	Changing the write access right to an NDEF file . . . . .	25
Figure 14.	UFDFN8 - 8-lead, 2 × 3 mm, 0.5 mm pitch ultra thin profile fine pitch dual flat package outline . . . . .	59
Figure 15.	UFDFPN5 - 5-lead, 1.7 × 1.4 mm, 0.55 mm thickness package outline . . . . .	61

# 1 Functional description

The ST25TA02K-D device is a dynamic NFC/RFID tag that can be accessed from the RF interface. The RF interface is based on the ISO/IEC 14443 Type A standard. The ST25TA02K-D is compatible with the NFC Forum Type 4 Tag specifications and supports all corresponding commands.

Figure 1 displays the block diagram of the ST25TA02K-D device.

Figure 1. ST25TA02K-D block diagram

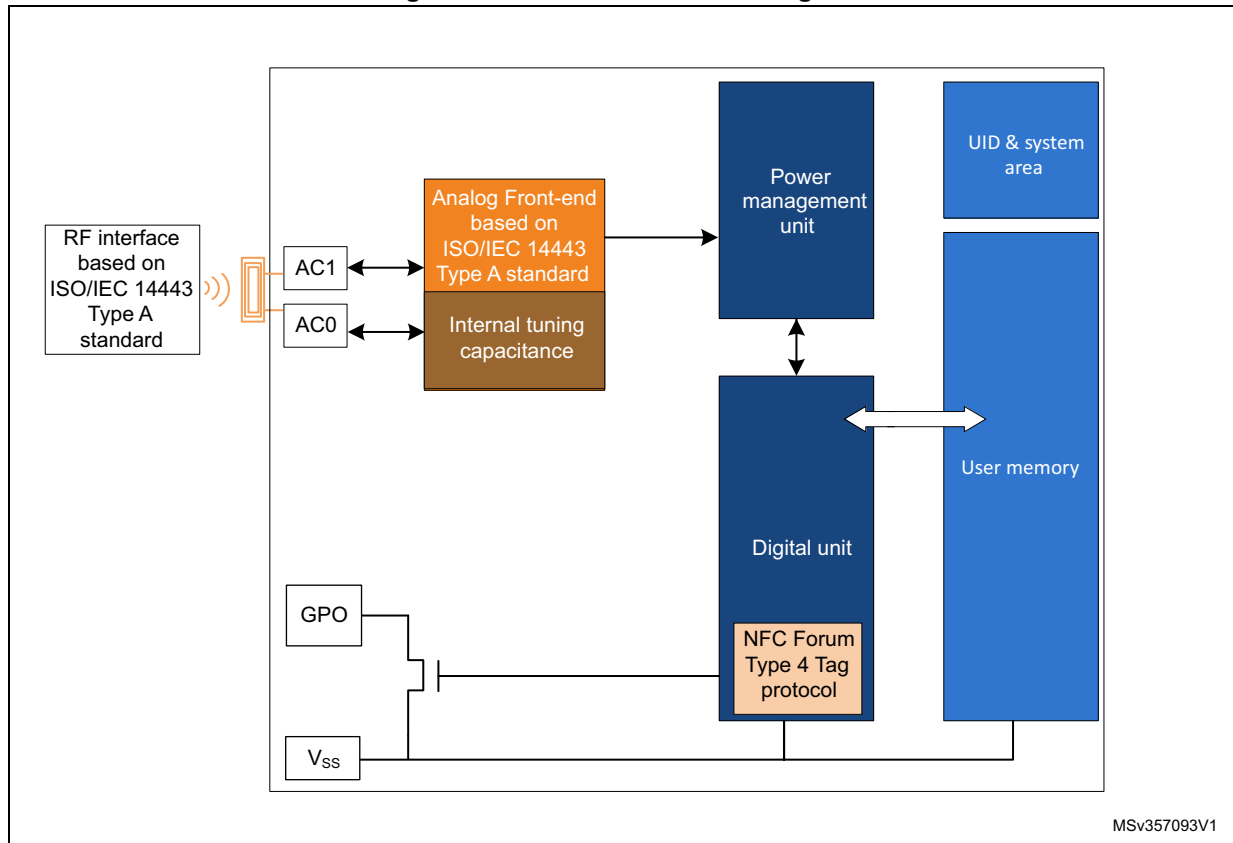
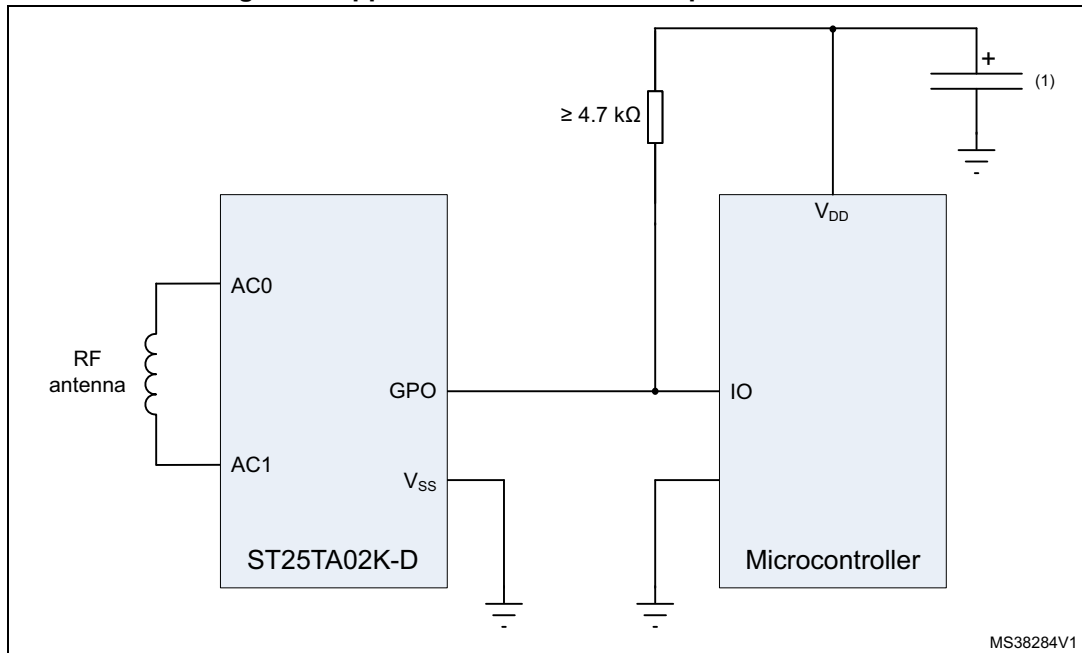




Figure 2. Applicative schematic example



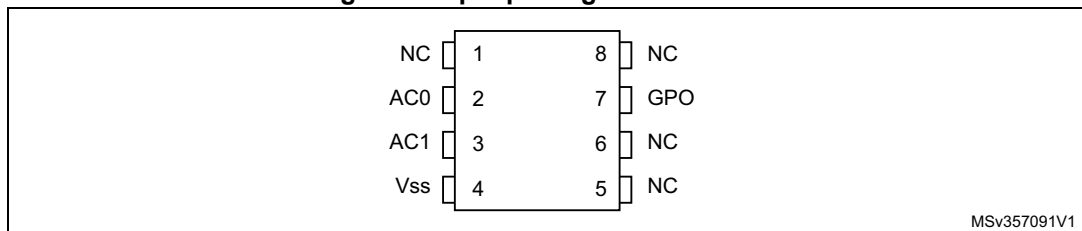
1. Decoupling capacitor

Table 1. Signal names

Signal name	Function	Direction
AC0, AC1	Antenna coils	-
V <sub>SS</sub>	Ground	-
GPO	Interrupt output <sup>(1)</sup>	Open drain output <sup>(1)</sup>

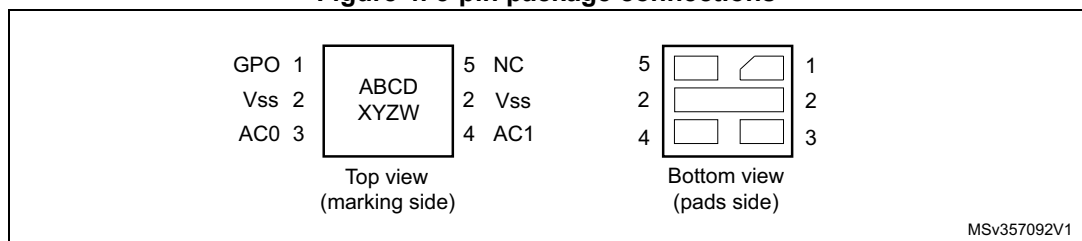
1. An external pull-up > 4.7 kΩ is required.

Figure 3. 8-pin package connections



1. See Package mechanical data section for package dimensions, and how to identify pin 1.

Figure 4. 5-pin package connections



1. See Package mechanical data section for package dimensions, and how to identify pin 1.

## 1.1 Functional modes

The ST25TA02K-D has just one functional mode available (see [Table 2](#)).

**Table 2. Functional mode**

Mode	Supply source	Comments
Tag mode	RF field only	The RF interface is connected, GPO Open drain transistor request an external Pull_up (>4.7KOhm) to operate.

### 1.1.1 Tag mode

The ST25TA02K-D is supplied by the RF field and can communicate with an RF host (RFID reader or an NFC phone). The User memory can be accessed by the RF commands.

## 2 Signal descriptions

### 2.1 Antenna coil (AC0, AC1)

These inputs are used to connect the device to an external coil exclusively. It is advised not to connect any other DC or AC path to AC0 or AC1.

When correctly tuned, the coil is used to access the device using NFC Forum Type 4 commands.

### 2.2 Ground (V<sub>SS</sub>)

V<sub>SS</sub>, when connected, is the reference for the V<sub>CC</sub> supply voltage for all pads, even AC0 and AC1.

## 2.3 General Purpose Output (GPO)

The GPO pad is an open drain pad and an external pull-up resistor shall be connected to it.

This pad is a configurable output signal, driven a low level when configured event occurs, otherwise it remains in an high impedance state. Its behavior is consistent with the RF session activated and with the mode chosen by the user.

The user can select one of these configurations<sup>(a)</sup>:

- SessionOpen: an RF session is ongoing.
- MIP (NDEF Message updating In Progress): the RF host is writing an NDEF length different from 0x0000. This mode can be used to detect when the RF host changes the NDEF message as defined by the NFC Forum.
- WIP (Writing In Progress): the ST25TA02K-D is executing a writing operation.
- INT (interrupt): the RF host can force the ST25TA02K-D to send an alternate pulse on the GPO pin.
- State mode: the RF host can control the state of the GPO pad during the RF session.
- RF busy: an RF host is communicating with the ST25TA02K-D.
- Field detection: the RF field is sufficient to establish an RF communication with the ST25TA02K-D.

GPO configuration byte can be locked, by setting its Most Significant Bit to 1 (1xxx 0000 b). Once locked, this byte cannot be changed anymore.

---

a. See [Table 59: GPO timings measurement](#) for more details.

### 2.3.1 Session Open configuration (GPO field = 0x10 or 0x90)

When the GPO is configured as "Session Open", it goes to the low state when an RF session is ongoing (see [Figure 5](#)).

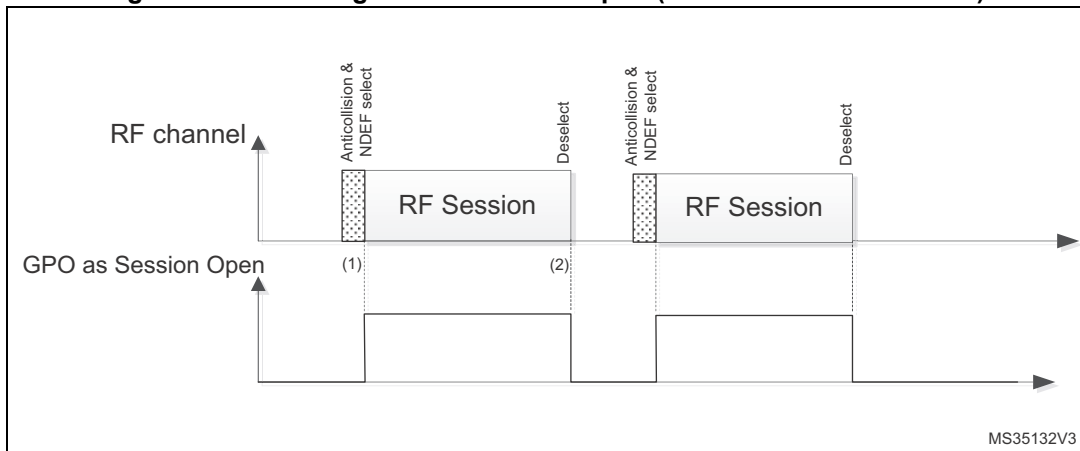
An RF session is taken when ST25TA02K-D receives a valid Select Application. The session is released when:

- ST25TA02K-D receives a valid Deselect command
- RF field becomes OFF

GPO is driven low after a delay (1.) when the session is open.

GPO is released after a delay (2.) when the session is released.

**Figure 5. GPO configured as Session Open (GPO field = 0x10 or 0x90)**



1. CmdEOFtoGPlow (RF command End of frame to GPORF Session pad low)
2. CmdEOFtoGPhigh (RF command End of frame to GPORF Session pad high)

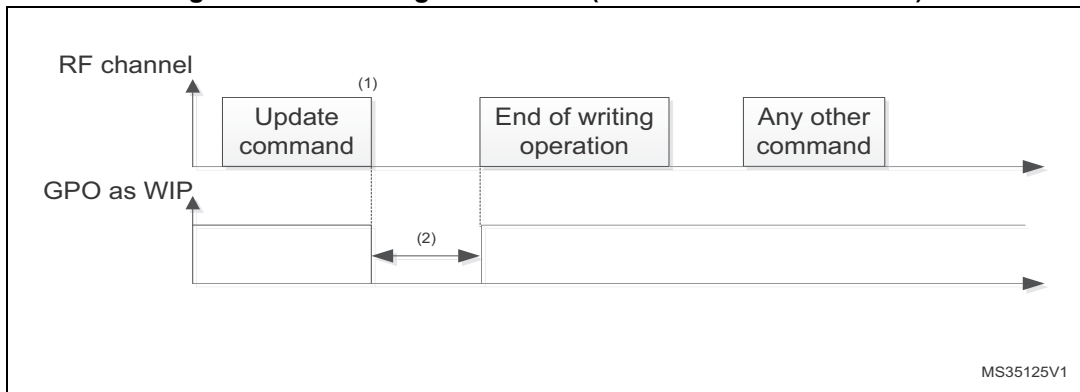
### 2.3.2 WIP Writing in Progress configuration (GPO field = 0x20 or 0xA0)

When the GPO is configured as "WIP", it goes to the low state during an RF writing operation (see [Figure 6](#)).

During an RF session, when ST25TA02K-D updates a file, GPO is driven low after a delay (1.) following the beginning of the correspondent UpdateBinary command execution.

GPO will remain low during the writing time (2.), before being released.

**Figure 6. GPO configured as WIP (GPO field = 0x20 or 0xA0)**



MS35125V1

- 1. CmdEOFtoGPlow (RF Command End of frame to GPO low)
- 2. Writing time duration

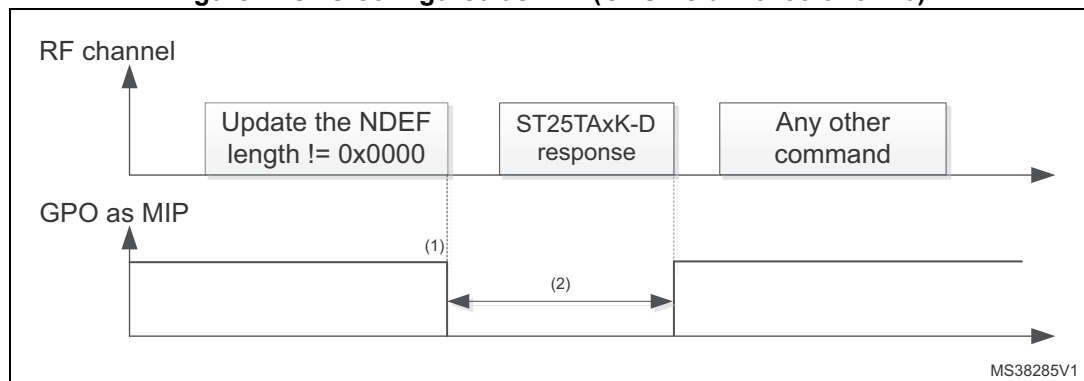
### 2.3.3 MIP NDEF Message writing in Progress configuration (GPO field = 0x30 or 0xB0)

When the GPO is configured as MIP, its state goes to the low state when the RF host writes the NDEF length to another value than 0x0000 (see [Figure 7](#)).

During an RF session, when ST25TA02K-D changes an NDEF file and updates the NDEF length with a value different from 0x0000, GPO is driven high after a delay (1.) following the beginning of the correspondent UpdateBinary command execution.

GPO will remain high during the writing time (2.), before being released.

**Figure 7. GPO configured as MIP (GPO field = 0x30 or 0xB0)**



- 1. CmdEOFToGPIow (RF command End of frame to GPO low)
- 2. Writing time duration

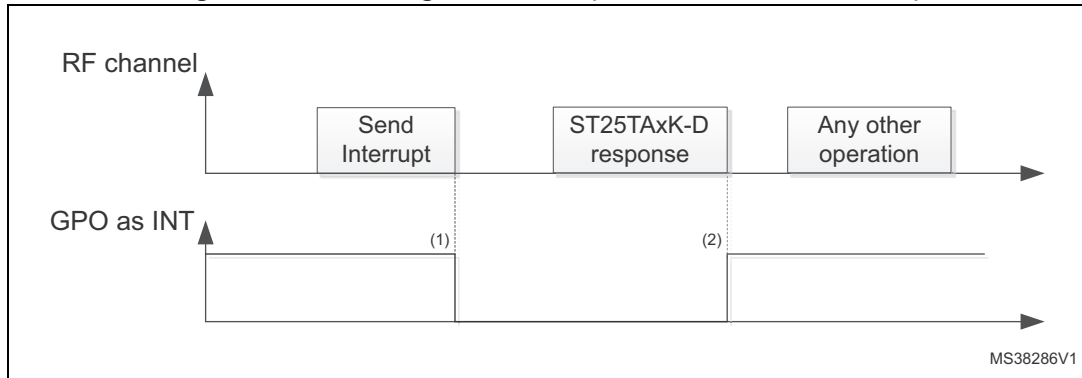
MS38285V1

### 2.3.4 INT Interrupt configuration (GPO field = 0x40 or 0xC0)

The RF host can send a negative pulse on the GPO pad. The GPO pad goes to high state at the end of the command and goes to the high state at the end of the ST25TA02K-D response (see [Figure 8](#)).

During an RF session, when ST25TA02K-D receives a valid Interrupt command, ST25TA02K-D GPO pin is driven high after (1.). Then GPO pin is released at the end of the response (2.).

Figure 8. GPO configured as INT (GPO field = 0x40 or 0xC0)



- 1. CmdEOFtoGPlow (RF command End of frame to GPO low)
- 2. RespEOFGPlow

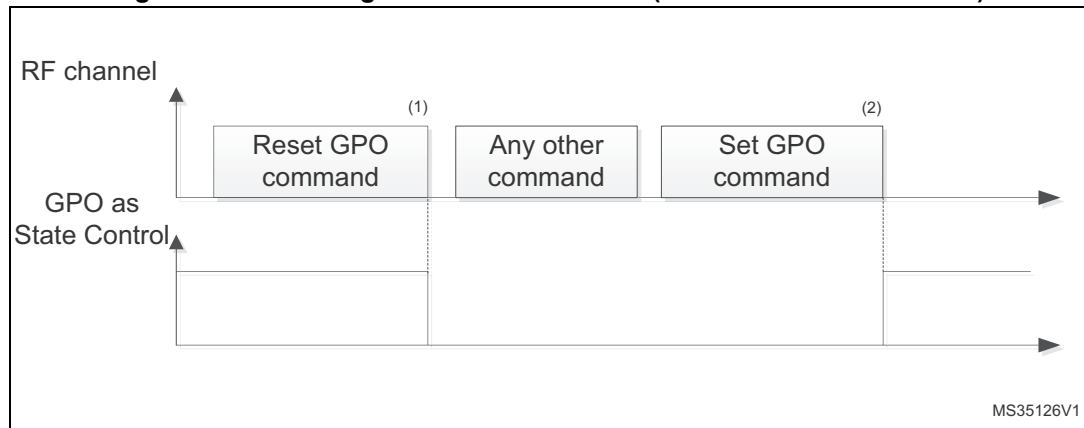


### 2.3.5 State Control configuration (GPO field = 0x50 or 0xD0)

When the GPO is configured as State Control, the RF host can control the state of the GPO by sending a dedicated command (see [Figure 9](#)).

During an RF session, the ST25TA02K-D can control the GPO pin. After receiving a valid reset GPO command, GPO pin is driven high after a delay (1). GPO will be released after a valid Set command or after a Power off.

**Figure 9. GPO configured as State Control (GPO field = 0x50 or 0xD0)**



MS35126V1

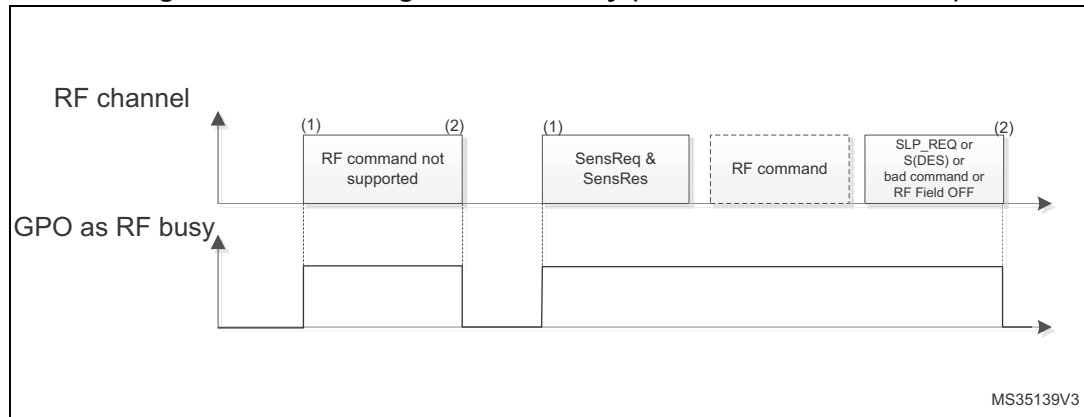
- 1. CmdEOFtoGPIow (RF Reset GPO command End of frame to GPO low)
- 2. CmdEOFtoGPHZ (RF Set GPO command End of frame to GPO High)

### 2.3.6 RF busy configuration (GPO field = 0x60 or 0xE0)

When the GPO is configured as RF busy, the GPO goes to the low state, both when the ST25TA02K-D is processing an RF command or when an RF session is ongoing (see [Figure 10](#)).

When an RF field is present, GPO is driven high after a delay (1.) when ST25TA02K-D detects the first command. If the RF session is ongoing and ST25TA02K-D receives a not-supported command, GPO remains high. It will be released only at the end of the RF session, after (2.).

**Figure 10. GPO configured as RF busy (GPO field = 0x60 or 0xE0)**



- 1. CmdSOFtoGPlow (RF command Start of frame to GPO low)
- 2. CmdEOFtoGPhigh (RF command End of frame to GPO high)

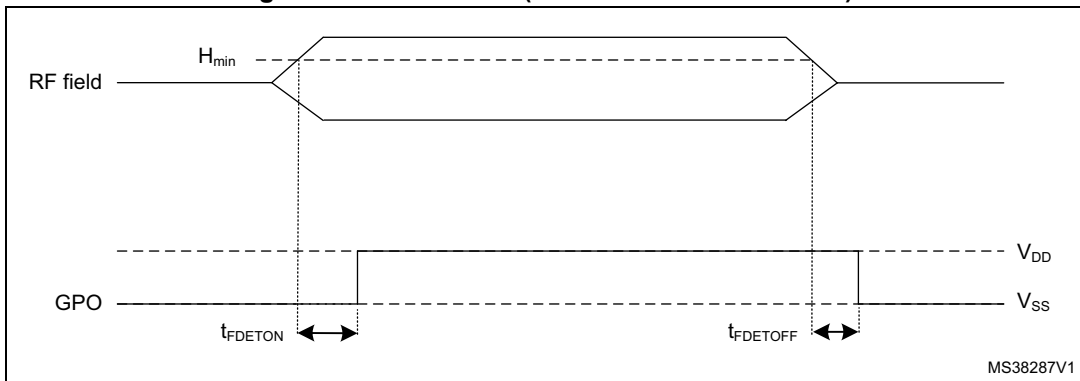
MS35139V3

### 2.3.7 Field detect configuration (GPO field = 0x70 or 0xF0)

When the GPO is configured as Field detect, the GPO goes to the low state when ST25TA02K-D detects an RF Field (see [Figure 11](#)).

When an RF field is present, GPO is driven low after a delay when ST25TA02K-D detects this field. Whatever the activity during the RF field detection (communication with the reader or not), GPO will stay low. It will be released when ST25TA02K-D leaves the RF field.

Figure 11. Field detect (GPO field = 0x70 or 0xF0)



## 3 ST25TA02K-D memory management

### 3.1 Memory structure

The ST25TA02K-D supports the NDEF Tag Application as defined in the NFC Forum Type 4 Tag. The ST25TA02K-D is composed of three files:

- One Capability Container file
- One NDEF file
- One System file: this file is an ST-proprietary file

The System file contains some information on the configuration of the ST25TA02K-D device. The CC file gives some information about the ST25TA02K-D itself and the NDEF file. The NDEF file contains the User data.

#### 3.1.1 File identifier

The file identifier is the value used in the Select command to select a file.

**Table 3. File identifier**

File identifier	Meaning
0xE101	System file
0xE103	CC file
0x0001	NDEF file

#### 3.1.2 CC file layout

The CC file gives some information about the ST25TA02K-D and the NDEF file. This file is a read-only file for the RF host and cannot be modified by issuing a write command.

The T field, Read Access and Write Access fields can be changed by the RF host by issuing a specific process (refer to [Section 7: Functional procedures](#)).

**Table 4. CC file layout for 1 NDEF file**

File offset	Meaning	Value	Comments
0x0000	Length CC file	0x000F	15 bytes
0x0002	Mapping version <sup>(1)</sup>	0x20 or 0x10	V 2.0 or V 1.0
0x0003	Maximum number of bytes that can be read	0x00FF	255 bytes
0x0005	Maximum number of bytes that can be written	0x0036	54 bytes

**Table 4. CC file layout for 1 NDEF file (continued)**

File offset	Meaning	Value	Comments
0x0007	NDEF file control TLV	0x04 <sup>(2)</sup>	T field
0x0008		0x06	L field
0x0009		0x0001	FileID
0x000B		0x0100	Maximum NDEF file size in Byte
0x000D		0x00 <sup>(2)</sup>	Read access
0x000E		0x00 <sup>(2)</sup>	Write access

1. According to the reader command format ST25TA02K-D will automatically align to the corresponding NFC Forum version.
2. Delivery state.

### 3.1.3 NDEF file layout

The NDEF file contains the NDEF message which contains the User data. The RF host can read and write data inside the file. The first two bytes named NDEF Message Length define the size of the NDEF message. The NDEF Message Length shall be managed by the application and the ST25TA02K-D device does not check if its value is relevant vs the data written by the RF host. The ST25TA02K-D device uses the NDEF Message Length, e. g. the standard read can be processed only inside the NDEF message; otherwise, the ST25TA02K-D device returns an error code. For more details about the read command, refer to [Section 5.6.7: ReadBinary command](#).

**Table 5. NDEF file layout**

File offset	Byte 0	Byte 1	Byte 2	Byte 3
0x0000	NDEF message length		User data	User data
0x0004	User data	User data	User data	User data
...	...	...	...	...
...	...	...	...	...
...	...	...	...	...
0x00FC	...	...	...	User data

### 3.1.4 System file layout

The system file specifies the configuration of the ST25TA02K-D. [Table 6](#) lists the different fields.

**Table 6. Field list**

File offset	Field name	Number of bytes	Read access	Write access	Delivery state
0x0000	Length system file	2	yes	-	0x0012
0x0002	GPO Config	1	yes	yes <sup>(1)</sup>	0x70 <sup>(2)</sup>
0x0003	Event Counter Config	1	yes	yes <sup>(1)</sup>	0x00
0x0004	20 bits counter (MS nibble 0x0)	3	yes	none	0x000000
0x0007	Product version	1	yes	none	0x13 <sup>(3)</sup>
0x0008	UID	7	yes	none	0x02F2 xx xx xx xx xx <sup>(4)</sup>
0x000F	Memory Size - 1	2	yes	none	0x00FF
0x0011	Product Code	1	yes	none	0xF2

1. Configuration bytes can be locked by setting the Most significant bit to 1. Once locked, these bytes cannot be changed anymore.
2. Field detect as default GPO configuration.
3. ST reserved.
4. x values are defined by ST to ensure UID unicity.

**Table 7. Details about the GPO field**

File offset	b7	b6-b4	b3-b0
0x0002			
GPO config lock bit: 0b0: unlocked 0b1: locked			
GPO configuration: 0b000: Not used 0b001: Session opened 0b010: WIP 0b011: MIP 0b100: Interrupt 0b101: State Control 0b110: RF Busy 0b111: Field Detect			
0b0000 ST Reserved			

**Warning:** When GPO config lock bit is set to "1", the whole byte cannot be changed anymore.

**Table 8. Details about the Counter config field**

File offset	b7	b6-b2	b1	b0
0x0003				
Counter config lock bit: 0b0: unlocked 0b1: locked				
0b00000: ST reserved				
Counter enable: 0b0: disable 0b1: enable				
Counter increment: 0b0: on Read 0b1: on Write				

### 3.2 Read and write access rights to the NDEF File

The NDEF file can be locked for read or write accesses. It is also protected by a 128-bit password that the host shall present before accessing the NDEF file. There are two 128-bit passwords, one for the read access and the other one for the write access.

An NDEF file can be permanently locked for read or write accesses. Thus, the host cannot access the NDEF file.

The read password shall be sent to the ST25TA02K-D device before reading a read-locked NDEF file.

The write password shall be present on the ST25TA02K-D device before writing a write-locked NDEF file. The write password shall be sent to change the read or write access. The read or write access right is defined for the NDEF file.

#### 3.2.1 State of the Read and Write access rights

Two bytes in the CC file are used to define the Read and Write access rights to the NDEF file. For more details, refer to [Section 3.1.2: CC file layout](#).

**Table 9. Read access right**

Value	Meaning
0x00	Read access without any security
0x80	Locked <sup>(1)</sup>
0xFE	Read not authorized

1. The read password shall be sent before reading in the NDEF file.

**Table 10. Write access right**

Value	Meaning
0x00	Write access without any security
0x80	Locked <sup>(1)</sup>
0xFF	Write not authorized

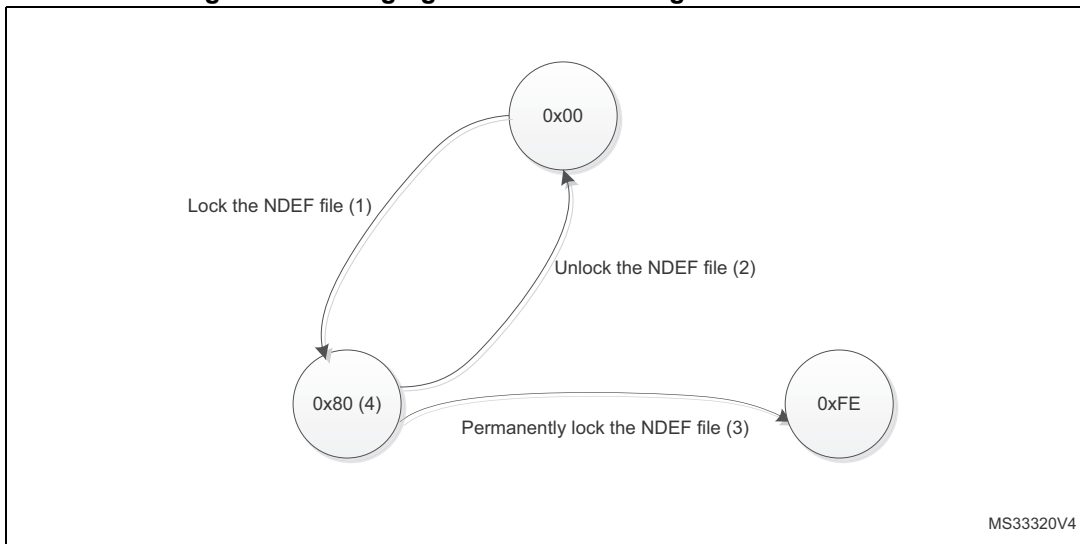
1. The write password shall be sent before writing in the NDEF file.

The state 0xFF and 0xFE cannot be changed by using the Read or Write passwords.

### 3.2.2 Changing the read access right to NDEF files

The state diagram on [Figure 12](#) shows how to change the access right to read an NDEF file.

**Figure 12. Changing the read access right to an NDEF file**



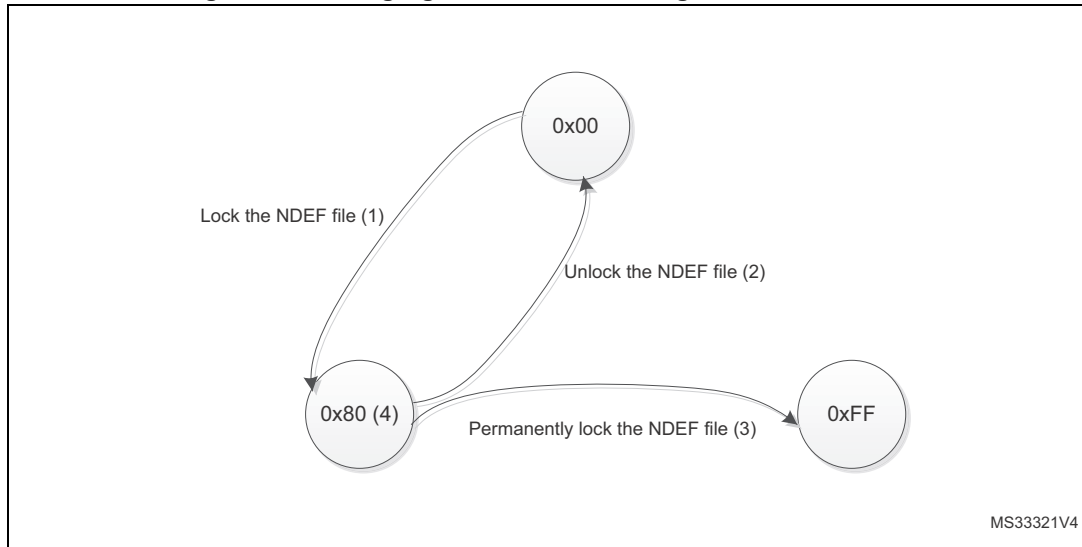
1. See the procedure to lock the read access ([Section 7.4: Locking an NDEF file](#)).
2. See the procedure to unlock the read access ([Section 7.5: Unlocking an NDEF file](#)).
3. See the procedure to permanently lock the read access ([Section 7.6: Reaching the read-only state for an NDEF file](#)).
4. Proprietary state, not defined by NFC Forum Type 4 Tag.



### 3.2.3 Changing the write access right to NDEF files

The state diagram on [Figure 13](#) shows how to change the write access right to an NDEF file.

**Figure 13. Changing the write access right to an NDEF file**



1. See the procedure to lock the write access.
2. See the procedure to unlock the write access.
3. See the procedure to permanently lock the write access ([Section 7.6: Reaching the read-only state for an NDEF file](#)).
4. Proprietary state, not defined by NFC Forum Type 4 Tag.

### 3.3 Access right life time

The access right life time is validated while the NDEF file is selected or until the end of the RF session. Once the read or write access right is granted, the host can send one or more ReadBinary or UpdateBinary commands.

At the end of a session or when the host selects another file, the read and write access rights are initialized.

### 3.4 NDEF file passwords

The NDEF file passwords protect the read or write access from an RF interface from/to an NDEF file.

Two NDEF file passwords are available for each NDEF file:

- Read password
- Write password

The length of a password is 128 bits (16 bytes).

*Note:* The delivery state for all passwords = 0x00000000000000000000000000000000.

### 3.5 Read/Write counter

A 20 bits counter can track the read or write events on the NDEF file.

It benefits from an anti-tearing mechanism, that ensures the consistency of the counter, even if there has been an electrical problem during its increment.

The value of the Read/Write counter can be checked by any application, by reading suitable bytes in System file (see [Section 3.1.4](#)).

If enabled, the Read/Write counter will be incremented on first event (exclusively Read or Write) which is performed on the NDEF File, inside an RF session (an RF session is entered when ST25TA02K-D receives a valid "Select Application" command).

The counter is reset when it is disabled.

Apart from these procedures, there is no way to act on the value of this counter.

The Read/Write counter can be configured through a specific byte in System file (see [Section 3.1.4](#)).

This configuration byte allows to:

- Enable or disable this counter
- Define if the counter must be incremented on a read or write sequence
- Definitively lock this configuration byte

---

**Warning: Once this configuration byte is locked, it cannot be changed anymore: the counter will behave accordingly.**

---

If enabled, the Read/Write counter will have an impact on the execution time of the event which is countered: the counter increment needs some write cycles of specific EEPROM cells automatically managed by ST25TA02K-D, which increase the total time before the response is sent to the reader.

As a consequence, an S(WTX) request can be issued on the command that will increment the counter (see [Section 5.4: S-Block format](#)).

## 4 Communication mechanism

This section describes the principle of communication between an RF host and the ST25TA02K-D device.

### 4.1 Master and slave

The ST25TA02K-D acts as a slave device on the RF channel and therefore waits for a command from the RF host before sending its response.

The RF host shall generate the RF field and the RF commands.

## 5 RF command sets

This section describes the ST25TA02K-D command sets that can be issued by the RF host.

There are three command families:

- the NFC Forum Type 4 Tag command set
- the ISO/IEC 7816-4 command set
- the proprietary command set

The NFC Forum Type 4 Tag command set and the ISO/IEC 7816-4 command set use the I-Block format. For more details about the I-Block format, refer to [Section 5.2: I-Block format](#).

Two other command formats exist:

- the commands using the R-Block format
- the commands using the S-Block format

For more details about these formats, refer to the corresponding sections: [Section 5.3: R-Block format](#) and [Section 5.4: S-Block format](#).

This section gives a brief description of the RF host commands. The format of these command sets is the I-Block format.

[Table 11](#) lists the RF command sets.

**Table 11. RF command sets**

Family command set	Command name	Class byte	Instruction code	Brief description
NFC Forum Type 4 Tag	NDEF Tag Application Select	0x00	0xA4	NDEF Tag Application Select
	CC select	0x00	0xA4	Select the CC file
	NDEF select	0x00	0xA4	Select the NDEF file
	System select	0x00	0xA4	Select the system file
	ReadBinary	0x00	0xB0	Read data from file
	UpdateBinary	0x00	0xD6	Write or erase data to a NDEF file
ISO/IEC 7816-4	Verify	0x00	0x20	Checks the right access of a NDEF file or sends a password
	ChangeReferenceData	0x00	0x24	Change a Read or write password
	EnableVerificationRequirement	0x00	0x28	Activate the password security
	DisableVerificationRequirement	0x00	0x26	Disable the password security
ST Proprietary	EnablePermanentState	0xA2	0x28	Enables the Read Only or Write Only security state
ST Proprietary	ExtendedReadBinary	0xA2	0xB0	Read data from file

## 5.1 Structure of the command sets

The exchange of data between the RF host and the ST25TA02K-D uses three kinds of data formats, called blocks:

- I-Block (Information block): to exchange the command and the response
- R-Block (Receive ready block): to exchange positive or negative acknowledgement
- S-Block (Supervisory block): to use either the Deselect command or the Frame Waiting eXtension (WTX) command or response

This section describes the structure of I-Block, R-block and S-Block. This format is used for the application command set.

## 5.2 I-Block format

The I-Block is used to exchange data between the RF host and the ST25TA02K-D. It is composed of three fields. [Table 12](#) details the I-Block format.

**Table 12. I-Block format**

Name	SoD		Payload	EoD
	PCB	DID	-	CRC
Length	1 byte	1 byte	1 to 251 bytes	2 bytes
PCB field				
DID field (optional)				
RF host to ST25TA02K-D: C-APDU				
ST25TA02K-D to RF host: R-APDU				
2 CRC bytes				

Table 13. PCB field of the I-Block format

	b7-b6	b5	b4	b3	b2	b1	b0
	0b00	0	0	X	0	1	X
I-Block							
RFU							
Must be set to 0							
DID field is present, if bit is set							
Must be set to 0							
Must be set to 1							
Block number <sup>(1)</sup>							

1. Follow ISO 14443\_4 Block numbering rules (see note)

Note: Block numbering rules:

**Reader rules:**

- Rule A: The Reader block number shall be initialized to 0.
- Rule B: When an I-block or an R(ACK) block with a block number equal to the current block number is received, the Reader shall toggle the current block number before optionally sending a block to the ST25TA02K-D.

**ST25TA02K-D rules:**

- Rule C. The ST25TA02K-D block number shall be initialized to 1 at activation.
- Rule D. When an I-block is received, the ST25TA02K-D shall toggle its block number before sending a block.

*Note: The ST25TA02K-D may check if the received block number is not in compliance with Reader rules to decide neither to toggle its internal block number nor to send a response block.*

- Rule E. When an R(ACK) block with a block number not equal to the current ST25TA02K-D block number is received, the ST25TA02K-D shall toggle its block number before sending a block.

*Note: There is no block number toggling when an R(NAK) block is received.*

When the RF host sends a command to the ST25TA02K-D the format of the payload is the C-APDU.

When the ST25TA02K-D sends a command to the RF host, the format of the payload is the R-APDU.

### 5.2.1 C-APDU: payload format of a command

The C-APDU format is used by the RF host to send a command to the ST25TA02K-D. [Table 14](#) describes its format.

**Table 14. C-APDU format**

Name	Payload field						
	CLA	INS	P1	P2	L <sub>C</sub>	Data	Le
<b>Length</b>	<b>1 byte</b>	<b>1 byte</b>	<b>1 byte</b>	<b>1 byte</b>	<b>1 byte</b>	<b>Lc byte</b>	<b>1 byte</b>
Class byte - 0x00: standard command - 0xA2: ST command <sup>(1)</sup>							
Instruction byte							
Param Byte 1							
Param Byte 2							
Number of bytes of the Data field							
Data bytes							
Number of bytes to be read in the ST25TA02K-D memory							

1. See [Table 11](#)

### 5.2.2 R-APDU: payload format of a response

the ST25TA02K-D uses the I-Block format to reply to a command which used the I-Block format. This format is described in [Table 15](#).

**Table 15. R-APDU format**

Name	Payload field		
	Data (optional)	SW1	SW2
<b>Length</b>	<b>Le byte</b>	<b>1 byte</b>	<b>1 byte</b>
Data			
Status byte 1			
Status byte 2			

### 5.3 R-Block format

The R-Block is used to convey positive or negative acknowledgment between the RF host and the ST25TA02K-D.

**Table 16. R-Block format**

NFC frame	SoD		-	EoD
	PCB	DID	Payload	CRC
<b>Length</b>	<b>1 byte</b>	<b>1 byte</b>	<b>0 byte</b>	<b>2 bytes</b>
R(ACK) without the DID field: 0xA2 or 0xA3 R(ACK) with the DID field: 0xAA or 0xAB R(NAK) without the DID field: 0xB2 or 0xB3 R(NAK) with the DID field: 0xBA or 0xBB				
DID field (optional)				
-				
2 CRC bytes				

There are two kinds of R-Blocks:

- R(ACK): the acknowledgment block sent by the RF host or by the ST25TA02K-D
- R(NAK): the non-acknowledgment block sent by the RF host

**Table 17. R-Block detailed format**

	b7-b6	b5	b4	b3	b2	b1	b0
	0b10	1	X	X	0	0	X
R-Block							
Must be set to 1.							
0: NAK 1: ACK							
0: DID field is not present 1: DID field is present							
Must be set to 0							
Must be set to 0							
Block number							



## 5.4 S-Block format

The S-Block is used to exchange control information between a reader and a contactless tag.

**Table 18. S-Block format**

NFC frame	SoD		-	EoD
	PCB	DID	Payload	CRC
<b>Length</b>	<b>1 byte</b>	<b>1 byte</b>	<b>1 byte</b>	<b>2 bytes</b>
0xC2: for S(DES) when the DID field is not present 0xCA: for S(DES) when the DID field is present 0xF2: for S(WTX) when the DID field is not present 0xFA: for S(WTX) when the DID field is present				
DID field (optional)				
WTX field (optional) <sup>(1)</sup>				
2 CRC bytes				

1. This field is present when b5-b4 bits are set to 0b11 (S-Block is a WTX). see [Table 19: S-Block detailed format](#).

There are two requests using the S-Block format:

- S(DES): the deselect command
- S(WTX): the Waiting Frame eXtension command or response.

A Waiting Time eXtension request occurs in RF when the operating time needed by ST25TA02K-D is greater than 19.2 ms.

The WTX field indicates the increase time factor to be used in this command execution (FDTtemp = WTX \* 19.2 ms). WTX depends on FWI.

**Table 19. S-Block detailed format**

	b7-b6	b5-b4	b3	b2	b1	b0
	0b11	X	X	0	1	0
S-Block						
0b00: Deselect 0b11: WTX						
0: DID field is not present 1: DID field is present						
Must be set to 0						
Must be set to 1						
Must be set to 0						

*Note:* After receiving the deselect command, the session is released and ST25TA02K-D enters the Standby power mode.

*In response to a RATS command, ST25TA02K-D returns FWI parameter (default frame waiting time used); when ST25TA02K-D needs more time for a command execution, it requests a frame waiting time extension by responding 0xF2 0xWTX (Request waiting time = FWI \* WTX). If the reader accepts ST25TA02K-D request, it acknowledges by sending the command 0xF2 0xWTX. The frame waiting time becomes FWI \* WTX for the current command only.*

## 5.5 CRC of the RF frame

The two CRC bytes check the data transmission between the RF host and the ST25TA02K-D. For the RF frame, the CRC is computed on all the data bits in the frame, excluding parity bits, SOF and EOF, and the CRC itself.

The CRC is as defined in ISO/IEC 13239. The initial register content shall be 0x6363 and the register content shall not be inverted after calculation.

## 5.6 NFC Forum Type 4 Tag protocol

### 5.6.1 Commands set

ST25TA02K-D command set is built to easily support the NFC Forum Type 4 Tag protocol.

**Table 20. Command set overview**

Command name	Brief description
NDEF Tag Application Select	Select the NDEF Tag Application
Capability Container Select	Select the capability container (CC) file using the Select command
NDEF Select	Select the NDEF file using the Select command.
System File Select	Select the system file using the Select command.
ReadBinary	Read data from a file
UpdateBinary	Write new data to a file

### 5.6.2 Status and error codes

This section lists the status and the error code of the ST25TA02K-D.

**Table 21. Status code of the ST25TA02K-D**

	SW1	SW2	Comment
Value	0x90	0x00	Command completed successfully

Table 22. Error code of the ST25TA02K-D

	SW1	SW2	Comment
Length	1 byte	1 byte	
Value	0x62	0x82	End of file or record reached before reading Le bytes
Value	0x63	0x00	Password is required
Value	0x63	0xCX	Password is incorrect, X further retries allowed (X can take value 0,1, 2)
Value	0x65	0x81	Unsuccessful updating
Value	0x67	0x00	Wrong frame length
Value	0x69	0x81	Cmd is incompatible with the file structure
Value	0x69	0x82	Security status not satisfied
Value	0x69	0x84	Reference data not usable
Value	0x6A	0x80	Incorrect parameters Le or Lc
Value	0x6A	0x82	File or application not found
Value	0x6A	0x84	File overflow (Lc error)
Value	0x6A	0x86	Incorrect P1 or P2 values
Value	0x6D	0x00	INS field not supported
Value	0x6E	0x00	Class not supported

### 5.6.3 NDEF Tag Application Select command

the RF host shall send this command to activate the NDEF Tag Application.

To activate the NDEF Tag Application, the RF host sends the Select command (see [Table 23](#)) in addition to the sequence defined in the NFC Forum digital protocol.

[Table 23](#) defines the C-APDU of the Select command to select the NDEF Tag Application (called NDEF Tag Application Select).

**Table 23. C-APDU of the NDEF Tag Application Select command**

Name	CLA	INS	P1	P2	Lc	Data	Le
-	0x00	0xA4	0x04	0x00	0x07	0xD27600 00850101	0x00
Class byte							
Select instruction code							
P1 field							
P2 field							
Number of bytes of data							
Application ID							
Le field							

[Table 24](#) defines the R-APDU of the NDEF Tag Application Select command.

**Table 24. R-APDU of the NDEF Tag Application Select command**

	Data	SW1	SW2	Comment
Length	-	1 byte	1 byte	-
Value	-	0x90	0x00	Command completed
Value	-	0x6A	0x82	NDEF Tag Application not found
Value	-	0x6D	0x00	Class not supported

*Note:* For further return codes and definitions, refer to [Section 5.6.2: Status and error codes](#).

### 5.6.4 Capability Container Select command

The RF host uses the Capability Container Select procedure to select the capability container (CC) file.

The CC file is selected when this command returns "command completed" in the R-APDU. [Table 25](#) defines the C-APDU of the Select command to select the CC file (called Capability Container Select).

**Table 25. C-APDU of the Capability Container Select command**

Name	CLA	INS	P1	P2	Lc	Data	Le
-	0x00	0xA4	0x00	0x0C	0x02	0xE103	-
Class byte							
Select instruction code							
P1 field							
P2 field							
Number of bytes of data							
CC file ID							
(empty field)							

Table 26 defines the R-APDU of the CC Select command.

**Table 26. R-APDU of the Capability Container Select command**

	Data	SW1	SW2	Comment
Length	-	1 byte	1 byte	-
Value	-	0x90	0x00	Command completed
Value	-	0x6A	0x82	File or application not found
Value	-	0x6D	0x00	Class not supported

Note: For further return codes and definitions, refer to [Section 5.6.2: Status and error codes](#).

### 5.6.5 NDEF Select command

The RF host uses the NDEF Select command to select the NDEF file.

The NDEF file is selected when this command returns "command completed" in the R-APDU. Table 27 defines the C-APDU of the Select command to select the NDEF file (called NDEF Select).

**Table 27. C-APDU of the NDEF Select command**

Name	CLA	INS	P1	P2	Lc	Data	Le
-	0x00	0xA4	0x00	0x0C	0x02	0x0001	-
Class byte							
Select instruction code							
P1 field							
P2 field							
Number of bytes of data							
0x0001: NDEF file							
(empty field)							

[Table 28](#) defines the R-APDU of the NDEF Select command.

**Table 28. R-APDU of the NDEF Select command**

	Data	SW1	SW2	Comment
Length	-	1 byte	1 byte	-
Value	-	0x90	0x00	Command completed
Value	-	0x6A	0x82	File or application not found

*Note:* For further return codes and definitions, refer to [Section 5.6.2: Status and error codes](#).

## 5.6.6 System File Select command

The RF host uses this command to select the system file.

The System file is selected when this command returns "command completed" in the R-APDU.

[Table 29](#) defines the C-APDU of the command to select the System file (called System Select).

**Table 29. C-APDU of the System File Select command**

Name	CLA	INS	P1	P2	Lc	Data	Le
-	0x00	0xA4	0x00	0x0C	0x02	0xE101	-
Class byte							
Select instruction code							
P1 field							
P2 field							
Number of bytes of data							
System file ID (empty field)							

[Table 30](#) defines the R-APDU of the System File Select command.

**Table 30. R-APDU of the System File Select command**

	Data	SW1	SW2	Comment
Length	-	1 byte	1 byte	-
Value	-	0x90	0x00	Command completed
Value	-	0x6A	0x82	System file not found, no data is returned

*Note:* Note: For further return codes and definitions, refer to [Section 5.6.2: Status and error codes](#).

### 5.6.7 ReadBinary command

On receiving the ReadBinary command, the ST25TA02K-D reads the requested memory field and sends back its value in the R-APDU response.

Before sending a ReadBinary command, a file shall be selected by using a Select command.

The Response of the ReadBinary command is successful when the data to be read is within the selected file <sup>(a)</sup>; in other words, when the sum of P1-P2 and Le fields is equal to or lower than the selected file length.

[Table 31](#) defines the ReadBinary command.

**Table 31. C-APDU of the ReadBinary command**

Name	CLA	INS	P1 & P2	Lc	Data	Le
-	0x00	0xB0	2 bytes	-	-	1 byte
Class byte						
Read instruction code						
Offset in the file selected						
(empty field)						
(empty field)						
Number of bytes to read between 0x01 ≤ Le ≤ max(Selected File length, 0xFFh)						

[Table 32](#) defines the R-APDU of the ReadBinary command.

**Table 32. R-APDU of the ReadBinary command**

	Data	SW1	SW2	Comment
Length	-	1 byte	1 byte	-
Value	Content read	0x90	0x00	Command completed
Value	-	0x67	0x00	Wrong length
Value	-	0x69	0x82	Security status not satisfied
Value	-	0x6A	0x82	File or application not found
Value	-	0x6E	0x00	-

**Note:** For further return codes and definitions, refer to [Section 5.6.2: Status and error codes](#).

a. For more details about CC file, refer to [Section 3.1.2: CC file layout](#).  
 For more details about NDEF file, refer to [Section 3.1.3: NDEF file layout](#).  
 For more details about System file, refer to [Section 3.1.4: System file layout](#).

### 5.6.8 UpdateBinary command

On receiving the UpdateBinary command, the ST25TA02K-D writes the data field into the selected file and sends back a status in the R-APDU response. If needed, ST25TA02K-D will request a timing extension (see [Section 5.4](#)).

Before sending an UpdateBinary command, a file shall be selected by issuing a Select command.

[Table 33](#) defines the UpdateBinary command.

**Table 33. C-APDU of the UpdateBinary command**

Name	CLA	INS	P1 & P2	Lc	Data	Le
-	0x00	0xD6	2 bytes	1 byte	Lc bytes	-
Class byte						
Write instruction code						
Offset in the file selected						
Number of bytes of data ( $0x01 \leq Lc \leq 0xF6$ )						
Data to write in the ST25TA02K-D memory (empty field)						

*Note:* For further return codes and definitions, refer to [Section 5.6.2: Status and error codes](#).

[Table 34](#) defines the R-APDU of the UpdateBinary command.

**Table 34. R-APDU of the UpdateBinary command**

	Data	SW1	SW2	Comment
Length	-	1 byte	1 byte	-
Value	-	0x90	0x00	Command completed
Value	-	0x65	0x81	Unsuccessful updating
Value	-	0x67	0x00	-
Value	-	0x69	0x82	Security status not satisfied
Value	-	0x6A	0x82	File or application not found
Value	-	0x6E	0x00	-

*Note:* For further return codes and definitions, refer to [Status and error codes](#).



## 5.7 ISO/IEC 7816-4 commands

The ISO/IEC 7816-4 command set offers some extended features such as the protection of the NDEF file. This command set is used to manage the right access of the NDEF file.

### 5.7.1 Verify command

The Verify command has two functions:

1. Check if a password is required to access to the NDEF file (the LC field = 0x00).
2. Check that the password embedded in the Verify command allows the access to the memory (the Lc field = 0x10 and the password is present).

When the Lc field is equal to 0x00, the verify command returns a success code (0x90 00) provided that the access to the NDEF file does not require a password. When the access to the NDEF file is protected, the response to the Verify command returns an error code (0x63 00).

When the Lc field equals 0x10, on receiving the Verify command, the ST25TA02K-D compares the requested password with the data contained in the request and reports whether the operation has been successful in the response.

Before sending this command, an NDEF file shall be selected by issuing the NDEF Select command. Thus, this command checks the right access condition of the last NDEF file selected.

After a successful command, an access is granted for the whole NDEF file.

[Table 35](#) defines the Verify command.

**Table 35. Verify command format**

Name	CLA	INS	P1 & P2	Lc	Data	Le
-	0x00	0x20	2 bytes	1 byte	Lc bytes	-
Class byte						
Instruction code						
Password identification						
0x0001: Read NDEF password transmit						
0x0002: Write NDEF password transmit						
Other: RFU <sup>(1)</sup>						
0x00: the password is not present						
0x10: the password is present in the data field						
Password						
(empty field)						

1. Return ERROR code when used.

Table 36 defines the R-APDU of the Verify command.

**Table 36. R-APDU of the Verify command**

	Data	SW1	SW2	Comment
Length	-	1 byte	1 byte	-
Value	-	0x90	0x00	Command completed, the password is correct
Value	-	0x69	0x84	The conditions of use are not satisfied (e.g. no NDEF file was selected or Write access equal to FFh (write lock) or read access equal to FEh (read lock))
Value	-	0x69	0x81	Cmd incompatible with file structure
Value	-	0x69	0x82	Security status not satisfied
Value	-	0x6A	0x80	Incorrect parameter in cmd data field
Value	-	0x63	0x00	A password is required
Value	-	0x63	0xCX <sup>(1)</sup>	The password transmitted is incorrect and X encodes the number of further allowed retries.

1. At each session, the RF host can check a password 3 times.

*Note:* For further return codes and definitions, refer to [Section 5.6.2: Status and error codes](#).

## 5.7.2 Change Reference Data command

The Change Reference Data command replaces the read or write password related to the NDEF files previously selected. It can be performed only if the security status satisfies the security attributes for this command.

Before sending this command, the verify command with the correct NDEF write password shall be issued. Thus, this command changes the reference data of the NDEF file.

Table 37 defines the Change Reference Data command.

**Table 37. Change reference data command format**

Name	CLA	INS	P1 & P2	Lc	Data	Le
-	0x00	0x24	2 bytes	0x10	Lc bytes	-
Class byte						
Instruction code						
Password identification						
0x0001: Read password transmit						
0x0002: Write password transmit						
Other: RFU <sup>(1)</sup>						
0x10: the password is present in the data field						
NDEF new file Password						
(empty field)						

1. Return ERROR code when used.

Table 38 defines the R-APDU of the Change Reference Data command.

**Table 38. R-APDU of the Change Reference Data command**

	Data	SW1	SW2	Comment
Length	0	1 byte	1 byte	-
Value	-	0x90	0x00	Command completed, the access right has been changed
Value	-	0x69	0x81	Cmd is incompatible with the file structure
Value	-	0x65	0x81	Unsuccessful updating
Value	-	0x69	0x82	Security status not satisfied
Value	-	0x6A	0x80	Incorrect param. in file structure
Value	-	0x6A	0x82	File or application not found
Value	-	0x6A	0x86	Incorrect P1 or P2 values

Note: Note: For further return codes and definitions, refer to Section 5.6.2: Status and error codes.

### 5.7.3 Enable Verification Requirement command

The Enable Verification Requirement command activates the protection by password of the NDEF file. When this command is successful, the read or write access to the NDEF file is protected by a 128-bit password. It can be performed only if the security status satisfies the security attributes for this command.

This command can update the right access of the NDEF file by writing into the EEPROM. In this case, the response timing will be around 5 ms.

Before sending this command, the verify command with the correct NDEF write password shall be issued. Thus, this command changes the access right of the NDEF file.

Table 39 defines the Enable Verification requirement command.

**Table 39. Enable Verification Requirement command format**

Name	CLA	INS	P1 & P2	Lc	Data	Le
-	0x00	0x28	2 bytes	-	-	-
Class byte						
Instruction code						
New security attributes						
0x0001: Enable the read protection of the NDEF file						
0x0002: Enable the write protection of the NDEF file						
Other: RFU						
(empty field)						
(empty field)						
(empty field)						

The last five bits identify the password sent in the Verify command.

[Table 40](#) defines the R-APDU of the Enable Verification Requirement command.

**Table 40. R-APDU of the Enable Verification Requirement command**

	Data	SW1	SW2	Comment
Length	0	1 byte	1 byte	-
Value	-	0x90	0x00	Command completed, the password is correct
Value	-	0x69	0x81	Cmd is incompatible with the file structure
Value	-	0x69	0x82	Security status not satisfied
Value	-	0x6A	0x80	Incorrect param. in cmd data field
Value	-	0x6A	0x82	File or application not found
Value	-	0x6A	0x86	Incorrect P1 or P2 values

*Note:* For further return codes and definitions, refer to [Section 5.6.2: Status and error codes](#).

### 5.7.4 Disable Verification Requirement command

The Disable Requirement command deactivates the protection by password of the NDEF file. When this command is successful, the read or write access to the NDEF file is granted without security requirements. It can be performed only if the security status satisfies the security attributes for this command.

Before sending this command, the verify command with the correct NDEF write password shall be issued. Thus, this command changes the access right of the NDEF file.

This command can update the right access of the NDEF file by writing into the EEPROM. In this case, the response timing will be around 6 ms.

[Table 41](#) defines the Disable Verification Requirement command.

**Table 41. Disable Verification Requirement command format**

Name	CLA	INS	P1 & P2	Lc	Data	Le
-	0x00	0x26	2 bytes	-	-	-
Class byte						
Instruction code						
New security attributes						
0x0001: Disable the read protection of the NDEF file						
0x0002: Disable the write protection of the NDEF file						
Other: RFU						
(empty filed)						
(empty filed)						
(empty filed)						

Table 42 defines the R-APDU of the Disable Verification Requirement command.

**Table 42. R-APDU of the Disable Verification Requirement command**

	Data	SW1	SW2	Comment
Length	0	1 byte	1 byte	-
Value	-	0x90	0x00	Command completed, the password is correct
Value	-	0x69	0x81	Cmd is incompatible with the file structure
Value	-	0x69	0x82	Security status not satisfied
Value	-	0x6A	0x80	CC file or System file selected
Value	-	0x6A	0x82	File or application not found
Value	-	0x6A	0x86	Incorrect P1 or P2 values
Value	-	0x65	0x81	Update failed

Note: Note: For further return codes and definitions, refer to Section 5.6.2: Status and error codes.

## 5.8 ST Proprietary command set

The RF host can be issued with the command set described in this chapter.

### 5.8.1 ExtendedReadBinary command

On receiving the ExtendedReadBinary command, the ST25TA02K-D reads the requested memory field and sends back its value in the R-APDU response.

Before sending an ExtendedReadBinary command, a file shall be selected by issuing an NDEF select command.

The response of the ExtendedReadBinary command will be successful even if the data to be read is beyond the NDEF message. The command returns an error code if the data to be read goes beyond the end of the file.

**Table 43. C-APDU of the ExtendedReadBinary command**

Name	CLA	INS	P1 & P2	Lc	Data	Le
-	0xA2	0xB0	2 bytes	-	-	1 byte
ST Class byte						
Read instruction code						
Offset in the file selected						
(empty field)						
(empty field)						
Number of bytes to read between $0x01 \leq Le \leq 0xFF$						

Table 44 defines the R-APDU of the read binary command.

**Table 44. R-APDU of the ExtendedReadBinary command**

	Data	SW1	SW2	comment
Length	Le bytes	1 byte	1 byte	-
Value	Content read	0x90	0x00	Command completed
Value	-	0x67	0x00	Wrong length
Value	-	0x69	0x82	Security status not satisfied
Value	-	0x6A	0x82	File or application not found
Value	-	0x6A	0x86	Incorrect P1 or P2 values

Note: Note: For further return codes and definitions, refer to Section 5.6.2: Status and error codes.

### 5.8.2 EnablePermanentState command

The command configures the NDEF file to the ReadOnly or to the WriteOnly State.

This command can update the right access to the NDEF file by writing into the EEPROM. In this case, the response timing will be around 6 ms.

Table 45 defines the EnablePermanentState requirement command.

**Table 45. EnablePermanentState command format**

Name	CLA	INS	P1 & P2	Lc	Data	Le
-	0xA2	0x28	2 bytes	-	-	-
Class byte						
Instruction code						
New security attributes						
0x0001: Lock the NDEF file in read mode						
0x0002: Lock the NDEF file in write mode						
Other: RFU						
(empty field)						
(empty field)						
(empty field)						

Table 46 defines the R-APDU of the EnablePermanentState command.

**Table 46. R-APDU table of the EnablePermanentState command**

	Data	SW1	SW2	Comment
Length	-	1 byte	1 byte	-
Value	-	0x90	0x00	Command completed
Value	-	0x65	0x81	Update failed
Value	-	0x69	0x82	Security status not satisfied

**Table 46. R-APDU table of the EnablePermanentState command (continued)**

	Data	SW1	SW2	Comment
Value	-	0x6A	0x82	File or application not found
Value	-	0x6A	0x86	Incorrect P1 or P2 values

Note: For further return codes and definitions, refer to [Section 5.6.2: Status and error codes](#).

## 5.9 Specific RF command set

This section describes the command set that can be issued only by the RF host.

### 5.9.1 Anticollision command set

[Table 47](#) lists the commands that can be issued only by the RF host. The format of these commands is described in the NFC Forum Digital Protocol specification.

**Table 47. Commands issues by the RF host**

Family command set	Command name	Instruction code
NFC-A technology	ALL_REQ	0x52 <sup>(1)</sup>
	SENS_REQ	0x26 <sup>(1)</sup>
	SDD_REQ	0x93 or 0x95
	SEL_REQ	0x93 or 0x95
	SLP_REQ	0x50

1. Code on 7 bits.

Note: In response to a SDD\_REQ Command with a SEL\_PAR value equal to 20h, ST25TA02K-D in the Operating Field transmit the requested cascade level of their NFCID1 (NFCID1 CL<sub>n</sub>, with n=1 or 2). The NFCID1 of ST25TA02K-D consists of 7 bytes. The length of the Response containing a complete NFCID1 cascade level (i.e., NFCID1 CL<sub>1</sub>, or NFCID1 CL<sub>2</sub>) is always 5 bytes. The coding of the Response depends on the value of the SEL\_CMD byte and the size of the NFCID1.

Refer to example below for more details .

**Table 48. Example of anticollision sequence**

Command	Code	Comment	Response	Code	Comment
SENS_REQ or ALL-REQ	26	-	ATQA	42 00	UID double size bit frame anticollision
	52				
SDD_REQ 1	93 20	NVB 20 Number Valid bit (2 bytes Code & NVB)	-	CT uid1 uid2 uid3 BCC	CT Cascade Tag "0x88" (UID 7bytes) BCC Block Check Character (XOR previous Bytes)

**Table 48. Example of anticollision sequence (continued)**

Command	Code	Comment	Response	Code	Comment
SEL_REQ 1	93 70 CT uid1 uid2 uid3 BBC	NVB 70 (cmd NVB Uid lower bytes) CT Cascade Tag "0x88"	SAK & CRC	04 DAD7	UID Not complete
SDD_REQ 2	95 20	NVB 20 Number Valid bit (2 bytes Code & NVB)	-	uid4 uid5 uid6 uid7 BCC	(UID 7bytes) BCC Block Check Character (XOR previous Bytes)
SEL_REQ 1	95 70 uid4 uid5 uid6 uid7 BBC	NVB 70 (cmd NVB Uid Upper bytes)	SAK & CRC	20 FC70	UID complete

### 5.9.2 RATS command and ATS response

RATS command and ATS response are used for NFC Forum Type 4A Tag Platform Device Activation (as defined in NFC Forum Digital Protocol specification).

[Table 49](#) details the RATS command. This command shall be sent after the anticollision process.

**Table 49. RATS command**

Name	INS	Param		CRC
Byte field	0xE0	1 byte		2 bytes
Bit field	-	b7-b4	b3-b0	-
Instruction code				
FSDI				
DID (0 ≤ DID ≤ 14)				
2 CRC bytes				

The FSDI field codes the FSD that defines the maximum size that an RF host is able to receive. [Table 50](#) gives the conversion from FDSI to FSD.

**Table 50. Conversion from FDSI to FSD**

FDSI	0x0	0x1	0x2	0x3	0x4	0x5	0x6	0x7	0x8	0x9h-0xE	0xF
FSD	16	24	32	40	48	64	96	128	256	RFU	256

The DID field defines the value of the addressed ST25TA02K-D.



Table 51. ATS response

Name	TL	T0	TA(1)	TB(1)		TC(1)	CRC
Byte field	0x05	0x75	0x80	0x60		0x02	2 bytes
Bit field	-	-	-	b8-b5	b4-b1	-	-
Length of the ATS response							
FSCI = 5 => FSC = 64 bytes							
The maximum ascending data rate is 106 kbps The maximum descending data rate is 106 kbps							
FWI field (FWI = 6 => FWT = 19.2 ms)							
SFGI field (SFGI = 0 => SFGT = 302 μs)							
The DID is supported							
2 CRC bytes							

The FSCI codes the FSC which stands for the maximum frame size that the ST25TA02K-D is able to receive. The ST25TA02K-D is able to receive up to 64 bytes of command. If the RF host sends a command with more than 64 bytes, the ST25TA02K-D will not be able to treat the command and will not reply.

The FWI which stands for the Frame Waiting time Integer codes the FWT. This time corresponds to the maximum duration while an RF host shall send before sending the next command.

The SFGI which stands for the Start-up Frame Guard Time is the minimum time that the reader shall wait after receiving the response of the ST25TA02K-D.

### 5.9.3 PPS command & response<sup>(b)</sup>

PPS (Protocol and Parameter Selection) command and response are defined in ISO/IEC 14443-4, in the Protocol Activation of PICC Type A.

The PPS command allows to change the data rates of the ascending (RF host to ST25TA02K-D) and descending (ST25TA02K-D to RF host) data rates. Usage of this command is optional, ST25TA02K-D only supports 106 Kb/s in both direction.

b. Not useful in case of ST25TA02K-D which only support a Data Rate of 106 Kb/s in both direction.

**Table 52. PPS command**

Name	INS (PPSS)		PPS0	PPS1			CRC
Byte field	0xDX		0x11	1 byte			2 bytes
Bit field	b7-b4	b3-b0	-	0b0000	b3-b2	b1-b0	-
INS	Instruction code						
	DID						
-	PPS1 is present						
PPS1	RFU						
	Descending data rate (106 kb/s) = 0b00						
	Ascending data rate (106 kb/s) = 0b00						
-	2 CRC bytes						

The ascending and descending data rates shall be coded as described in [Table 53](#).

**Table 53. Ascending and descending data rate coding**

Value	0b00	0b01	0b10	0b11
Data rate	106 kbps	RFU	RFU	RFU

When the ST25TA02K-D is able to change both data rates, it returns the following response. The data rate of this response is 106 kbps; then, the ST25TA02K-D changes the ascending and descending data rates.

[Table 54](#) gives the details of the PPS response.

**Table 54. PPS response**

Name	RESPONSE (PPSS)		CRC
Byte field	0xDX		2 bytes
Bit field	b8-b5	b4-b1	-
Response code			
DID field			
2 CRC bytes			

## **6 RF device operation**

### **6.1 Anticollision and Device Activation command set for the RF interface**

The ST25TA02K-D device supports the command set defined in the NFC-A Technology and the Type 4A Tag Platform chapters of the NFC Digital Protocol V1.0 specification.

### **6.2 Open an RF session**

Once the RF host has terminated the anticollision procedure and retrieve the ATS response, it shall send the SelectApplication command. The ST25TA02K-D will open an RF session. At this point, the RF host can send the applicative command set.

### **6.3 Close an RF session**

The RF host can close the RF session by issuing one of these methods:

- send an S(DES) command
- turn off the RF field

### **6.4 Applicative command set**

The applicative command set is composed of the following command sets:

- the NFC Forum Type 4 Tag command set
- the ISO/IEC 7816-4 command set
- the proprietary command set

## 7 Functional procedures

This section describes some procedure to access the memory or manage its protection.

### 7.1 Selection of an NDEF message

The RF host shall use this procedure to detect the NDEF message inside an ST25TA02K-D.

The NDEF detection procedure is as follows:

1. Open an RF session
2. Send the SelectNDEFTagApplication command
3. Select the CC file
4. Read the CC file
5. Select the NDEF file.

### 7.2 Reading of an NDEF message

The RF host executes the NDEF read procedure to read the NDEF file.

1. Detect successfully the NDEF file using the NDEF detection procedure
2. Check that the read access without any security is granted for the NDEF file from the information provided by the CC file
3. Select the NDEF file
4. Read the NDEF file.

### 7.3 Reading a locked NDEF file

The RF host executes this procedure to read an NDEF file which has been locked previously.

1. Select the NDEF Tag Application
2. Select the NDEF file
3. Present the Read password by using the Verify command
4. Read the data in the NDEF file.

### 7.4 Locking an NDEF file

The RF host executes this procedure to protect an NDEF file.

1. Select the NDEF Tag Application
2. Check the right access provided by the CC file
3. Select the NDEF file
4. Present the NDEF file Write password by using the Verify command
5. Lock the NDEF file by sending the Enable verification command.

## 7.5 Unlocking an NDEF file

The RF host executes this procedure to read an NDEF file which has been locked previously.

1. Select the NDEF Tag Application
2. Select the NDEF file
3. Present the NDEF file Write password by using the Verify command
4. Unlock the NDEF file by sending the Disable verification command.

## 7.6 Reaching the read-only state for an NDEF file

The RF host executes this procedure to read an NDEF file which has been locked previously.

1. Select the NDEF Tag Application
2. Select the NDEF file
3. Transmit the NDEF file Write password by using the Verify command
4. Send an EnablePermanentState command.

## 7.7 Changing a File type Procedure

The RF host executes this procedure to change the File Type of a file for which all access rights were previously granted.

1. Select the NDEF Tag Application
2. Select the File to be modified
3. Set the File Length to 0x00 using the UpdateBinary command
4. Send an UpdateFileType command with the New file Type as data.

## 8 UID: Unique identifier

The ST25TA02K-D is uniquely identified by a 7 bytes unique identifier (UID). The UID is a read-only code and comprises:

- The IC manufacturer code on 1 byte (0x02 for STMicroelectronics).
- The Product code on 1 byte.
- A device number on 5 bytes.

[Table 55](#) describes the UID format.

**Table 55. UID format**

-	0x02	0xF2	5 bytes
IC manufacturer code			
ST25TA02K-D product code			
Device number			

## 9 Maximum rating

Stressing the device above the rating listed in [Table 56](#) may cause permanent damage to the device. These are stress ratings only and operation of the device at these or any other conditions above those indicated in the operating sections of this specification is not implied. Exposure to absolute maximum rating conditions for extended periods may affect the device reliability.

**Table 56. Absolute maximum ratings**

Symbol	Parameter		Min.	Max.	Unit
$T_A$	Ambient operating temperature		-40	85	°C
$T_{STG}$ $h_{STG}$ $t_{STG}$	Storage conditions	Sawn wafer on UV tape	15	25	°C
			-	6 <sup>(1)</sup>	months
			Kept in its original packing form		
$T_{STG}$	Storage temperature	UFDFPN8 or UFDFPN5	-65	150	°C
$T_{STG}$	Storage temperature	Sawn bumped Wafer (kept in its antistatic bag)	15	25	°C
	Storage time		-	6	months
$T_{LEAD}$	Lead temperature during soldering	UFDFPN8 or UFDFPN5	see note <sup>(2)</sup>		°C
$V_{DCG}$	GPO Power Supply		-0.5	5.5	V
$I_{CC}$ <sup>(3)</sup>	RF supply current AC0 - AC1		-	64	mA
$V_{MAX\_1}$ <sup>(3)</sup>	RF input voltage amplitude between AC0 and AC1, $V_{SS}$ pad left floating	VAC0-VAC1 (Peak to Peak)	-	10	V
$V_{MAX\_2}$ <sup>(3)</sup>	AC voltage between AC0 and $V_{SS}$ , or AC1 and $V_{SS}$	VAC0- $V_{SS}$ or VAC1- $V_{SS}$	-0.5	4.5	V
$V_{ESD}$	Electrostatic discharge voltage (human body model) <sup>(4)</sup>	AC0-AC1	-	1000	V
$V_{ESD}$	Electrostatic discharge voltage (human body model) <sup>(4)</sup>	Other pads	-	3500	V

1. Counted from ST shipment date.
2. Compliant with JEDEC Std J-STD-020D (for small body, Sn-Pb or Pb assembly), the ST ECOPACK<sup>®</sup> 7191395 specification, and the European directive on Restrictions on Hazardous Substances (ROHS directive 2011/65/EU, July 2011).
3. Based on characterization, not tested in production. Maximum absorbed power = 100 mW @ 7.5 A/m
4. AEC-Q100-002 (compliant with JEDEC Std JESD22-A114A, C1 = 100 pF, R1 = 1500  $\Omega$ , R2 = 500  $\Omega$ )

## 10 GPO characteristics

This section summarizes the operating and measurement conditions of the GPO feature. The parameters in the DC and AC characteristic tables that follow are derived from tests performed under the measurement conditions summarized in

**Table 57. GPO Operating Conditions**

Symbol	Parameter	Min.	Max.	Unit
$V_{DCG}$	GPO Power Supply	1.65	5.5	V

**Table 58. DC characteristics**

Symbol	Parameter	Test condition	Min.	Max.	Unit
$V_{OL}^{(1)}$	Output Low voltage (GPO)	$I_{OL} = 1 \text{ mA}$ , Pull-up supply = 1.65 to 5.5 V	-	0.4 V	V

1. Characterized only



# 11 GPO parameters

This section lists the timing of the GPO according to its configuration.

**Table 59. GPO timings measurement <sup>(1)</sup>**

GPO field		I/F	Condition	Command	Symbol	Typ.	Unit
Session Open	0x10 or 0x90	RF	GPO when session active	NDEF select	CmdEOFtoGP	170	µs
		RF	GPO return	Deselect	CmdEOFtoGP	370	µs
WIP	0x20 or 0xA0	RF	GPO when programming	Update Binary	CmdEOFtoGPlow	75	µs
		RF			Writing time duration (No time extension)	(2)	ms
Message In Progress	0x30 or 0xB0	RF	GPO when modifying NDEF	UpdateBinary (Msg Length #0)	CmdEOFtoGP	75	µs
		RF	GPO when modifying NDEF	UpdateBinary	Writing time duration (No time extension)	(2)	ms
Interrupt	0x40 or 0xC0	RF	GPO after receiving an Interrupt command	SendInterrupt	CmdEOFtoGP	75	µs
		RF			Pulse duration	540	µs
State Control	0x50 or 0xD0	RF	GPO when reset	Reset GPO	CmdEOFtoGP	60	µs
		RF	GPO return when set	Set GPO	CmdEOFtoGP	60	µs
RF Busy	0x60 or 0xE0	RF	GPO after receiving an RF command	Anticollision command or start of RF disturb (command using another RF protocol)	CmdSOFtoGP	6	µs
		RF	GPO return after deselection or RF command in another protocol	Deselect or end of RF disturb (command using another RF protocol)	CmdEOFtoGP	460	µs
Field detect	0x70 or 0xF0	RF	GPO when RF field is present	-	t <sub>FDETON</sub>	140	µs
					t <sub>FDETOFF</sub>	20	µs

1. Characterized only.

2. Writing time is function of the message length and is automatically managed by ST25TA02K-D. NDEF message is mapped on memory blocks of 16 bytes. Each basic block has a typical update time duration of 6 ms including the internal verify.

## 12 RF electrical parameters

This section summarizes the operating and measurement conditions, and the DC and AC characteristics of the device in RF mode.

The parameters in the DC and AC characteristics tables that follow are derived from tests performed under the Measurement Conditions summarized in the relevant tables. Designers should check that the operating conditions in their circuit match the measurement conditions when relying on the quoted parameters.

**Table 60. Default operating conditions**

Symbol	Parameter	Min.	Max.	Unit
$T_A$	Ambient operating temperature	-40	85	°C

**Table 61. RF characteristics<sup>(1)</sup>**

Symbol	Parameter	Condition	Min	Typ	Max	Unit
$f_C$	External RF signal frequency	-	13.553	13.56	13.567	MHz
$H_{ISO}$	Operating field according to ISO	$T_A = 0^\circ\text{C}$ to $50^\circ\text{C}$	1500	-	7500	mA/m
$H_{Extended}$	Operating field in extended temperature range	$T_A = -40^\circ\text{C}$ to $85^\circ\text{C}$	100	-	7500	mA/m
$H_{min}$	Field detect, Set-up field <sup>(1)</sup>	$T_A = -40^\circ\text{C}$ to $85^\circ\text{C}$	-	115	-	mA/m
$MI_{CARRIER}$	100% carrier modulation index	$MI=(A-B)/(A+B)$	90	-	100	%
$t_1$	Pause A length	-	$28 / f_C$	-	$40.5 / f_C$	$\mu\text{s}$
$t_2$	Pause A low time	-	$7 / f_C$	-	$t_1$	$\mu\text{s}$
$t_3$	Pause A rise time	-	$1.5 \times t_4$	-	$16 / f_C$	$\mu\text{s}$
$t_4$	Pause A rise time section	-	0	-	$6 / f_C$	$\mu\text{s}$
$t_{MIN CD}$	Minimum time from carrier generation to first data	From H-field min	-	-	5	ms
$W_t$	RF write time (including internal Verify) for one page	-	-	$4.468^{(2)}$	-	ms
$C_{TUN} / 5^{(3)}$	Internal tuning capacitor <sup>(4)</sup>	$f_C = 13.56 \text{ MHz}$	45	50	55	pF
$t_{RF\_OFF}$	RF OFF time	Chip reset	-	-	0.1	ms

- All timing characterizations were performed on a reference antenna with the following characteristics:  
 External size: 75 mm x 48 mm  
 Number of turns: 4  
 Width of conductor: 0.5 mm  
 Space between two conductors: 0.5 mm  
 Value of the tuning capacitor: 50 pF (ST25TA02K-D)  
 Value of the coil: 2.5  $\mu\text{H}$   
 Tuning frequency: 14.2 MHz.
- Time between command EOF and Response SOF when Updating NDEF message Length
- See [Capacitor value](#)
- Characterized only, at room temperature only, measured at  $V_{AC0-VAC1} = 2 \text{ V}$  peak to peak at 13.56 MHz.

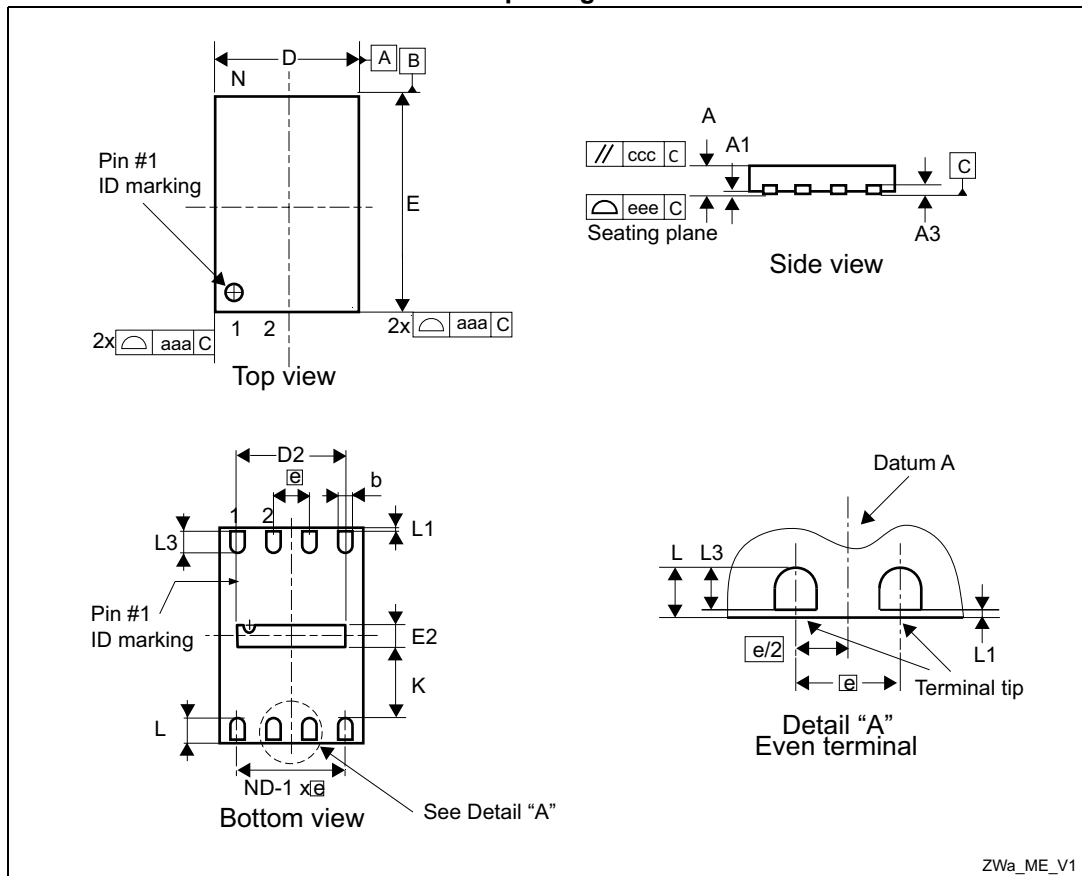
# 13 Package information

In order to meet environmental requirements, ST offers these devices in different grades of ECOPACK® packages, depending on their level of environmental compliance. ECOPACK® specifications, grade definitions and product status are available at: .

ECOPACK® is an ST trademark.

## 13.1 UDFN8 package information

Figure 14. UDFN8 - 8-lead, 2 × 3 mm, 0.5 mm pitch ultra thin profile fine pitch dual flat package outline



1. Max. package warpage is 0.05 mm.
2. Exposed copper is not systematic and can appear partially or totally according to the cross section.
3. Drawing is not to scale.

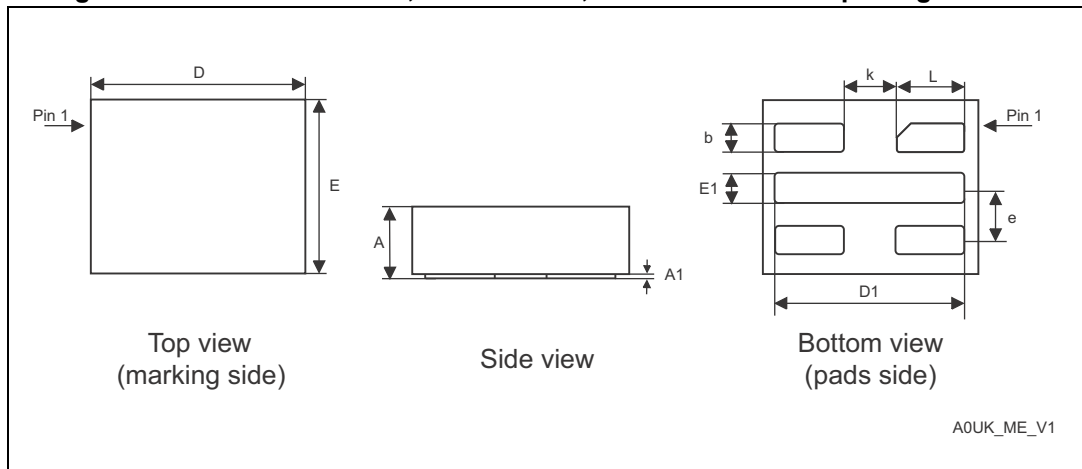
**Table 62. UFDFN8 - 8-lead, 2 × 3 mm, 0.5 mm pitch ultra thin profile fine pitch dual flat package mechanical data**

Symbol	millimeters			inches <sup>(1)</sup>		
	Min	Typ	Max	Min	Typ	Max
A	0.450	0.550	0.600	0.0177	0.0217	0.0236
A1	0.000	0.020	0.050	0.0000	0.0008	0.0020
b <sup>(2)</sup>	0.200	0.250	0.300	0.0079	0.0098	0.0118
D	1.900	2.000	2.100	0.0748	0.0787	0.0827
D2	1.500	1.600	1.700	0.0591	0.0630	0.0669
E	2.900	3.000	3.100	0.1142	0.1181	0.1220
E2	0.100	0.200	0.300	0.0039	0.0079	0.0118
e	-	0.500	-	0.0197		
K	0.800	-	-	0.0315	-	-
L	0.400	0.450	0.500	0.0157	0.0177	0.0197
L1	-	-	0.150	-	-	0.0059
L3	0.300	-	-	0.0118	-	-
aaa	-	-	0.150	-	-	0.0059
bbb	-	-	0.100	-	-	0.0039
ccc	-	-	0.100	-	-	0.0039
ddd	-	-	0.050	-	-	0.0020
eee <sup>(3)</sup>	-	-	0.080	-	-	0.0031

1. Values in inches are converted from mm and rounded to 4 decimal digits.
2. Dimension b applies to plated terminal and is measured between 0.15 and 0.30 mm from the terminal tip.
3. Applied for exposed die paddle and terminals. Exclude embedding part of exposed die paddle from measuring.

### 13.2 UDFPN5 package information

Figure 15. UDFPN5 - 5-lead, 1.7 × 1.4 mm, 0.55 mm thickness package outline



1. Max. package warpage is 0.05 mm.
2. Exposed copper is not systematic and can appear partially or totally according to the cross section.
3. Drawing is not to scale.

Table 63. UDFPN5 - 5-lead, 1.7 × 1.4 mm, 0.55 mm thickness package mechanical data

Symbol	millimeters			inches <sup>(1)</sup>		
	Min	Typ	Max	Min	Typ	Max
A	0.500	0.550	0.600	0.0197	0.0217	0.0236
A1	0.000	-	0.050	0.0000	-	0.0020
b <sup>(2)</sup>	0.175	0.200	0.225	0.0069	0.0079	0.0089
D	1.600	1.700	1.800	0.0630	0.0669	0.0709
D1	1.400	1.500	1.600	0.0551	0.0591	0.0630
E	1.300	1.400	1.500	0.0512	0.0551	0.0591
E1	0.175	0.200	0.225	0.0069	0.0079	0.0089
e	-	0.400	-	-	0.0157	-
L	0.500	0.550	0.600	0.0197	0.0217	0.0236
L1	-	0.100	-	-	0.0039	-
k	-	0.400	-	-	0.0157	-

1. Values in inches are converted from mm and rounded to 4 decimal digits.
2. Dimension b applies to plated terminal and is measured between 0.15 and 0.30mm from the terminal tip.

# 14 Part numbering

**Table 64. Ordering information scheme for packaged devices**

	ST25	T	A	02K	D	-	C	6	H/C	5
<b>Device type</b>										
ST25 = RF memory										
<b>Product Type</b>										
T = Tags +RFID										
<b>Protocol</b>										
A = ISO14443-A										
<b>Memory density</b>										
02K (binary)										
<b>Interface</b>										
D = OD GPO										
<b>Features</b>										
C = Counter as option										
<b>Operating temperature</b>										
6 = -40°C to +85°C										
<b>Package / Packing</b>										
H = DFN5 C = DFN8										
<b>Capacitor value</b>										
5 = 50 pF										

*Note: Parts marked as “ES”, “E” or accompanied by an Engineering Sample notification letter, are not yet qualified and therefore not yet ready to be used in production and any consequences deriving from such usage will not be at ST charge. In no event, ST will be liable for any customer usage of these engineering samples in production. ST Quality has to be contacted prior to any decision to use these Engineering samples to run qualification activity.*

## 15 Revision history

**Table 65. Document revision history**

Date	Revision	Changes
03-Aug-2015	1	Initial release.

**IMPORTANT NOTICE – PLEASE READ CAREFULLY**

STMicroelectronics NV and its subsidiaries ("ST") reserve the right to make changes, corrections, enhancements, modifications, and improvements to ST products and/or to this document at any time without notice. Purchasers should obtain the latest relevant information on ST products before placing orders. ST products are sold pursuant to ST's terms and conditions of sale in place at the time of order acknowledgement.

Purchasers are solely responsible for the choice, selection, and use of ST products and ST assumes no liability for application assistance or the design of Purchasers' products.

No license, express or implied, to any intellectual property right is granted by ST herein.

Resale of ST products with provisions different from the information set forth herein shall void any warranty granted by ST for such product.

ST and the ST logo are trademarks of ST. All other product or service names are the property of their respective owners.

Information in this document supersedes and replaces information previously supplied in any prior versions of this document.

© 2015 STMicroelectronics – All rights reserved