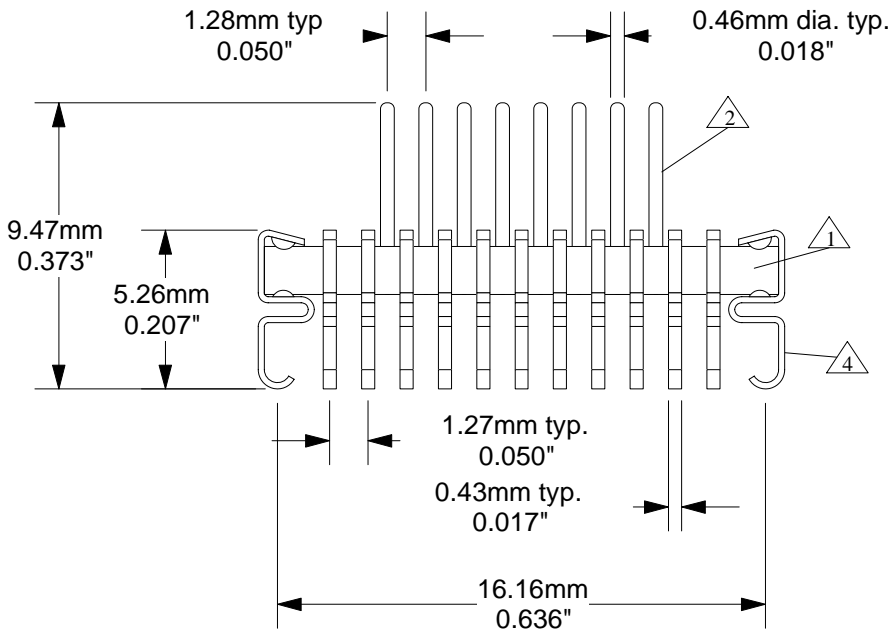
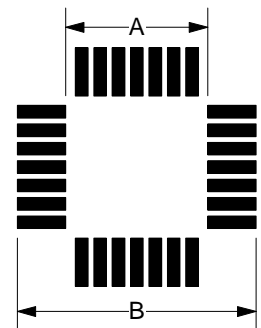


Top View



Side View

recommended target board land dimensions  
 A < 0.580"  
 B > 0.700"




- △ 1 Substrate: 1.59mm ±0.18mm [0.0625" ±0.007"] FR4/G10 or equivalent high temp material. 17µm [1/2 oz.] Cu clad. SnPb plating.
- △ 2 Pins: material- Brass Alloy 360 1/2 hard; finish- 0.25µm [10µ"] Au over 1.27µm [50µ"] Ni (min.).
- △ 4 Leads: material- BeCu Alloy 194; plating- 60/40 SnPb 3.80-10.16µm [150-400µ"].

**Description:** PLCC Surface Mount Foot

44 position PLCC surface mount foot (J-Leaded) to 44 position high density pin interface. Pin assignment as per top view

Tolerances: diameters ±0.03mm [±0.001"], PCB perimeters ±0.13mm [±0.005"], PCB thicknesses ±0.18mm [±0.007"], pitches (from true position) ±0.08mm [±0.003"], all other tolerances ±0.13mm [±0.005"] unless stated otherwise.

	<b>SF-PLCC44-J-01 Drawing</b>	Status: Released	Scale: 4:1	Rev: D
	© 1992 IRONWOOD ELECTRONICS, INC. PO BOX 21151 ST. PAUL, MN 55121 Tele: (651) 452-8100 www.ironwoodelectronics.com	Drawing: C. Hautman		Date: 11/18/92
		File: SF-PLCC44-J-01 Dwg	Modified: 3/17/00	