

# Visual Signals - Industrial LED ECO BEACONS



## Industrial LED ECO Beacons > LED-TLM Series

### Product overview

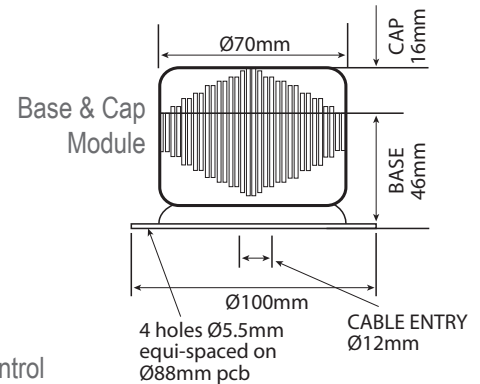
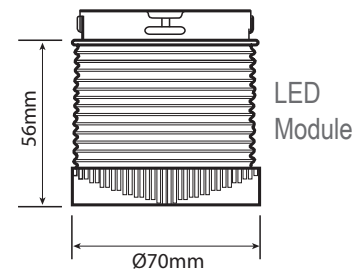
The LED Tower Light Module series is ideally suited for status indication in light commercial & industrial signalling applications where a local signal is required. These beacons have two selectable stages of alarm, flashing or continuous (static) mode, selectable by a slide switch on the PCB.

The LED TLM ECO range has been designed predominantly to offer a cost effective solution against more traditional incandescent types of lamps, whether through new plant

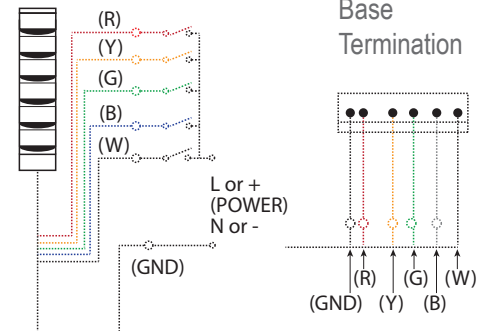
and machinery installations or existing facility upgrades.

The design is modular and is easily assembled. Colour modules are supplied with quick fix termination that simply push into male terminal in the module below to make a connection. Customer connections are into the base unit only.

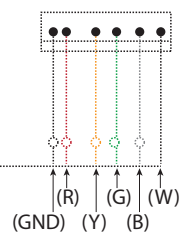
Audible modules are also available. The two ECO sounders units (Dc or Ac) offer up to 100dB and are either continuous or pulsed tone and rated at IP54. An additional high output sounder unit offers up to a 120dB and is either continuous or pulsed tone and is rated at IP65. Data sheets available.



### Control Termination



### Base Termination



### Features

- Continuously rated
- LED long life
- Low current consumption
- Suitable for surface mounting
- 360° light output around the vertical axis
- Dustproof and Weatherproof

### Material

UV Stable Polycarbonate Lens  
UV Stable ABS Plastic Base

## LED-TLM Series > Ordering Information

Code No:	Voltage:	Light Source:	Current:
LED-TLM-02	24v Dc ---	18 SMT LEDs	45mA
LED-TLM-04	85-275v Ac ~	18 SMT LEDs	75mA
LED-TLM-AUD-02	24v Dc ---	n/a	55mA
LED-TLM-AUD-04	85-275v Ac ~	n/a	20mA
LED-TLM-BC	Mounting Base and Cap		

ADD THE FOLLOWING LENS CODES TO THE PRODUCT WHEN ORDERING **01** **02** **03** **04** **05**

**Kg** 0.70 (Light Module)  
0.12 (Base & Cap)

50/60 Hz

°C -25+55

IP 65

**FPM** 60

**dB** 100 Dc  
100/120 Ac

APPROVALS and  
CONFORMITIES

