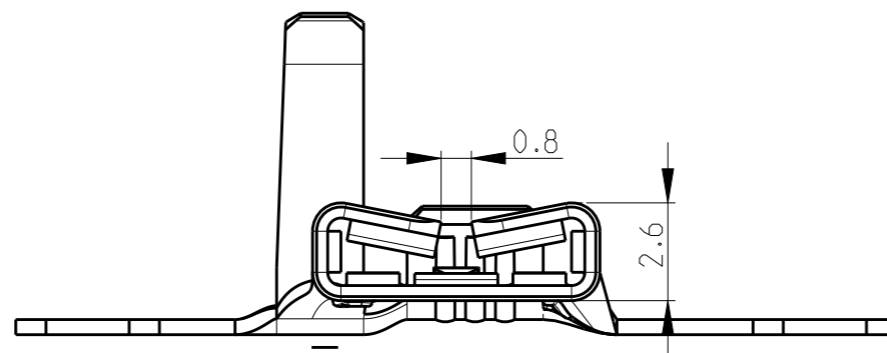
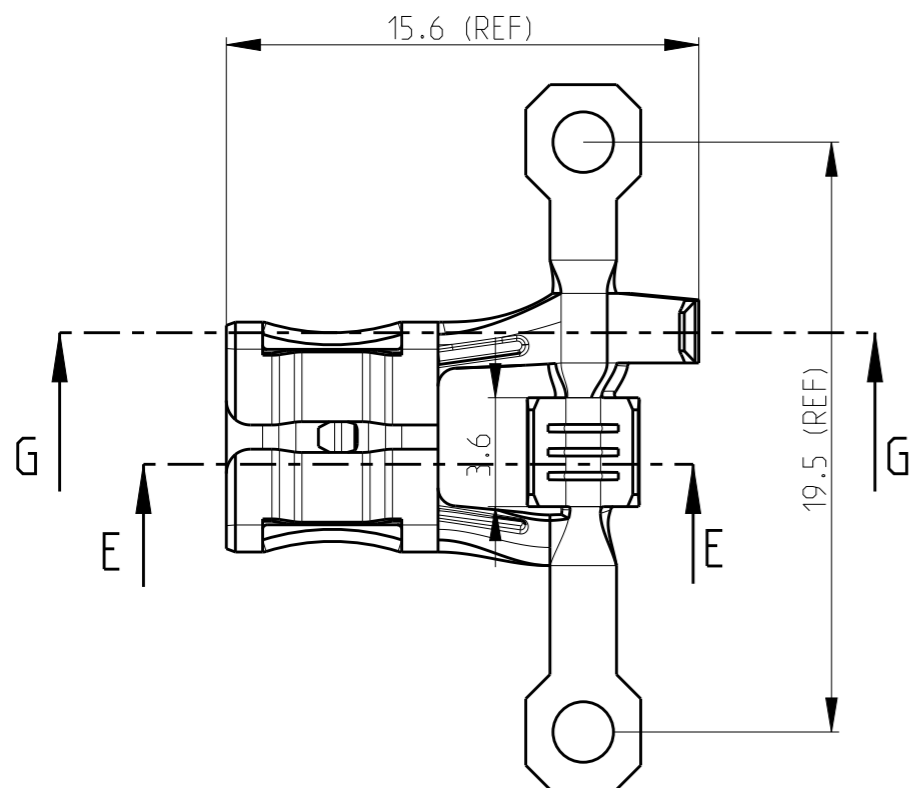


THIS DRAWING IS UNPUBLISHED. RELEASED FOR PUBLICATION 20
 © COPYRIGHT 20 BY TYCO ELECTRONICS CORPORATION ALL RIGHTS RESERVED.

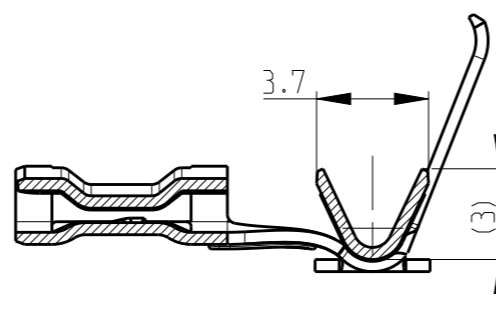
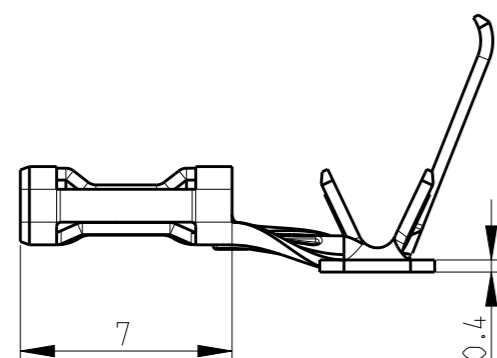
LOC	DIST	REVISIONS					
		P	LTR	DESCRIPTION	DATE	DWN	APVD
-	-		A	RELEASE PER ECR-14-018864	24DEC2014	DL	TD
			A1	RELEASE PER ECR-15-004911	31MAR2015	DL	TD
			A2	RELEASE PER ECR-15-013713	21SEP2015	DL	TD
			A3	RELEASE PER ECR-16-008480	12JUN2016	HG	TD



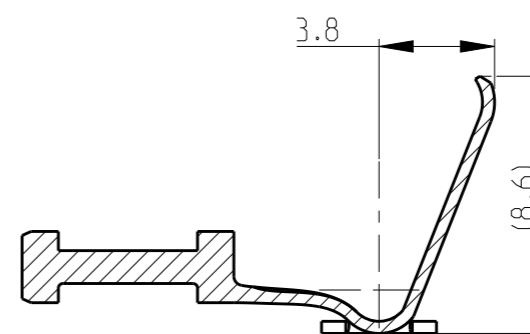
NOTE:

1. CONTINUOUS STRIP ON REELS
2. MATING TAB ACCORDING TO UL310 AND IEC61210 NORM. (WIDTH*THICKNESS IS 6.3*0.8 mm)
3. WIRE SIZE IS #20-#16 AWG(0.5-1.5 sqmm)
4. INSULATION RANGE IS Ø1.9-3.3mm
5. CUT-OFF LENGTH 0.5 mm MAX.

△ PRELIMINARY, NOT FOR PRODUCTION.

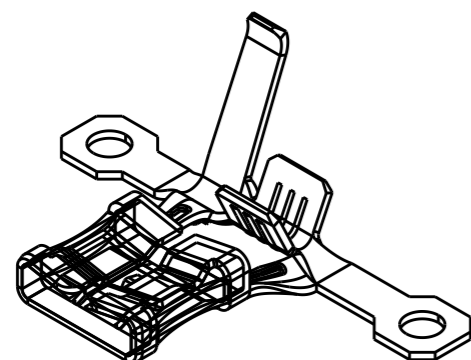


SECTION E-E



SECTION G-G

Pre-Tin Plated	BRASS	△ 2178423-2
Pre-NICKEL	Steel	2178423-1
FINISH	MATERIAL	PART NO.



THIS DRAWING IS A CONTROLLED DOCUMENT.		DWN VIBHUTHI 29NOV2012	TE Connectivity	
DIMENSIONS: mm		CHK SUBHASH M 29NOV2012		
TOLERANCES UNLESS OTHERWISE SPECIFIED:		APVD SURESH T N 29NOV2012	NAME 6.3 SRS FLAG F-SPRING LIF RECEPTACLE	
0 PLC ±0.5		PRODUCT SPEC 108-64027	SIZE A3	
1 PLC ±0.5		APPLICATION SPEC 114-64027	CAGE CODE 00779	DRAWING NO C-2178423
2 PLC ±0.25		WEIGHT -	RESTRICTED TO -	
3 PLC ±		MATERIAL SEE TABLE	SCALE 4:1	
4 PLC ±			SHEET 1 OF 1	
ANGLES ±1°		REV A3		
FINISH SEE TABLE		Customer Drawing		