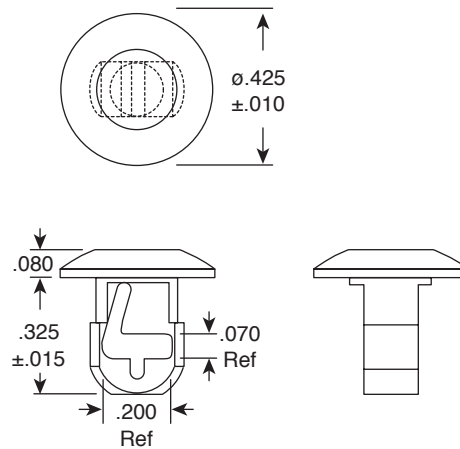


Dimensions: in.



Flat tie holder for use when both sides of the panel are accessible.

| Part Number | Panel Hole Diameter | Panel Thickness |
|--------------|---------------------|-----------------|
| 561-TA250125 | .250" | .125" |

Mouser Electronics

Authorized Distributor

Click to View Pricing, Inventory, Delivery & Lifecycle Information:

[Eagle Plastic Devices:](#)

[561-TA250125](#) [561-TA250125B](#)