

# 30C40

definite purpose contactor



- 30C 40FLA Definite Purpose Contactor
- Robust 1 - 4 Pole Contactor
- Arc Covers as standard
- Industry Standard Mounting
- RoHS Compliant
- UL File No: E61703



### Contact Data

Table 1

- Arrangements: 1 Form X (SPST-NO-DM) with or without shunt  
 2 Form X (DPST-NO-DM)  
 3 Form X (3PST-NO-DM)  
 4 Form X (4PST-NO-DM)

Material: AgCdO, AgSnInO

Model No	Full Load Amps (FLA)	Poles	Line Voltage (VAC)	Locked Rotor Amps (LRA)	Resistive Amps	Max. HP		
						Voltage	1 Phase	3 Phase
30C40-1021	40	1	120	240	50	120	2	
			240/277	240		240	5	
			480	200				
			600	160				
30C40-1022	40	2	120	240	50	120	2	
			240/277	240		240/277	5	
			480	200				
			600	160				
30C40-1023	40	3	120	240	50	120	3	
			240/277	240		240	7.5	10
			480	200		480		20
			600	160		600		25
30C40-1024	40	4	120	240	50	120	3	
			240/277	240		240	7.5	10
			480	200		480		20
			600	160		600		25

FLA rating tested for 30,000 cycles of endurance at 240/480/600VAC per UL508.  
 Resistive Heat rating tested for 250,000 cycles at 277VAC.  
 LRA rating tested for 6000 cycles of Locked Rotor endurance per UL508.



# 30C40

## definite purpose contactor



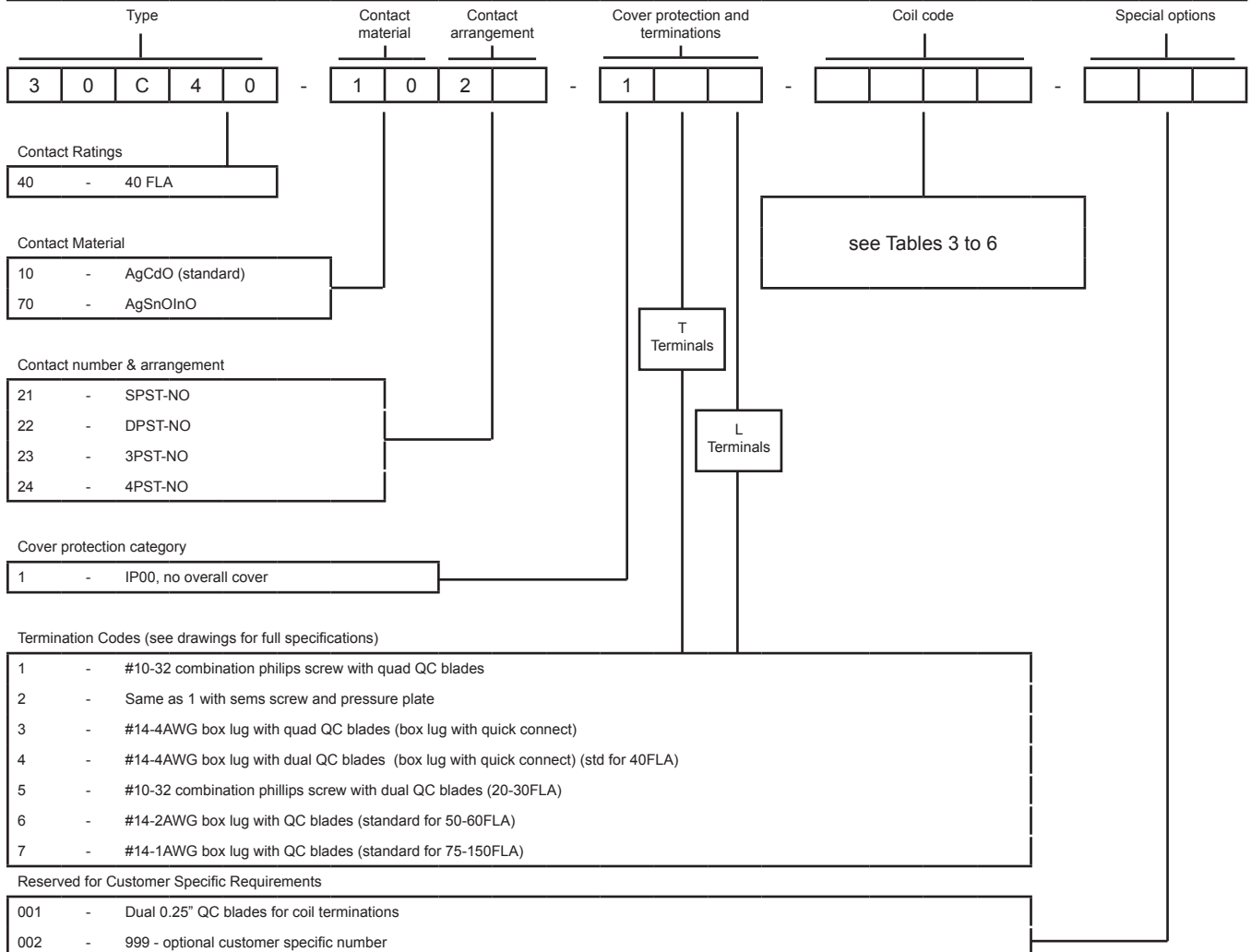
### General Specifications

Table 2

Initial Operate Time	mS	20	Terminations	Coil Terminals	1 pole 2 pole 3 pole 4 pole	0.250" QC + #6-32 screw (dual 0.250" QC optional) - per terminal
Release Time	mS	10 (typical)				
Bounce Time	mS	≤ 10				
Arc Cover		Standard				
Insulation System		UL Class B 130°C	Power Terminals	1 pole 2 pole	3 pole 4 pole	#10-32 screw or #14-4 box lug + Dual 0.250" QC
Initial Dielectric Strength between contacts and coil	VAC	2200				
between poles	VAC	2200 (includes shunt)				
between open contacts	VAC	2200	Recommended Tightening Torque	#10-32 box lug	22 in.lbf (2.49 Nm) 40 in.lbf (4.52 Nm)	
Temperature Range	°C	-40 ... +65				
Unit Weight (approx.)	1 pole	0.5 lb	Wire size	#10-32 box lug	16-8AWG* 14-4AWG	
	2 pole	0.6 lb				
	3 pole	1.0 lb				
	4 pole	1.24 lb				

\* Must use ring terminals

### Ordering Codes



# 30C40

## definite purpose contactor



Coil Data (30C40-1021 )

Table 3

Voltage: 24-277VAC 50/60Hz. See coil data below. (480VAC available but not UL approved)

Insulation Class: UL Class B (130°C)

Coil Voltage Code	Rated Voltage 50/60Hz	Coil Resistance (Ohms)	Coil Operating Voltage (VAC)			Minimum Inrush		Nominal Coil Power	
			Must Release	Must Operate	Max Voltage	VA @ 50Hz	VA @ 60Hz	VA @ 50Hz	VA @ 60Hz
5024	24	18	6	18	30	31	28	6	5
5120	120	420	20	88	132	31	28	6	5
5230	208/240	1800	40	177	264	31	28	6	5
5277	277	2500	50	221	300	31	28	6	5
5480	480	8000	100	380	528	31	28	6	5

Coil Data (30C40-1022 )

Table 4

Voltage: 24-277VAC 50/60Hz. See coil data below. (480VAC available but not UL approved)

Insulation Class: UL Class B (130°C)

Coil Voltage Code	Rated Voltage 50/60Hz	Coil Resistance (Ohms)	Coil Operating Voltage (VAC)			Minimum Inrush		Nominal Coil Power	
			Must Release	Must Operate	Max Voltage	VA @ 50Hz	VA @ 60Hz	VA @ 50Hz	VA @ 60Hz
5024	24	11	6	18	30	33	30	8	6.5
5120	120	237	20	88	132	33	30	8	6.5
5230	208/240	1000	40	177	264	33	30	8	6.5
5277	277	1600	50	221	300	33	30	8	6.5
5480	480	4200	100	380	528	33	30	8	6.5

Coil Data (30C40-1023 )

Table 5

Voltage: 24-277VAC 50/60Hz. See coil data below. (480VAC available but not UL approved)

Insulation Class: UL Class B (130°C)

Coil Voltage Code	Rated Voltage 50/60Hz	Coil Resistance (Ohms)	Coil Operating Voltage (VAC)			Minimum Inrush		Nominal Coil Power	
			Must Release	Must Operate	Max Voltage	VA @ 50Hz	VA @ 60Hz	VA @ 50Hz	VA @ 60Hz
5024	24	7	6	18	30	65	60	7.5	6
5120	120	180	20	88	132	65	60	7.5	6
5230	208/240	719	40	177	264	65	60	7.5	6
5277	277	900	65	220	300	65	60	7.5	6
5480	480	3100	150	384	520	65	60	7.5	6

Coil Data (30C40-1024 )

Table 6

Voltage: 24-277VAC 50/60Hz. See coil data below. (480VAC available but not UL approved)

Insulation Class: UL Class B (130°C)

Coil Voltage Code	Rated Voltage 50/60Hz	Coil Resistance (Ohms)	Coil Operating Voltage (VAC)			Minimum Inrush		Nominal Coil Power	
			Must Release	Must Operate	Max Voltage	VA @ 50Hz	VA @ 60Hz	VA @ 50Hz	VA @ 60Hz
5024	24	6	6	18	30	62	59	9	7
5120	120	150	20	88	132	62	59	9	7
5230	208/240	600	40	177	264	62	59	9	6
5277	277	750	65	220	300	62	59	9	7
5480	480	4200	150	384	520	62	59	9	7



# 30C40

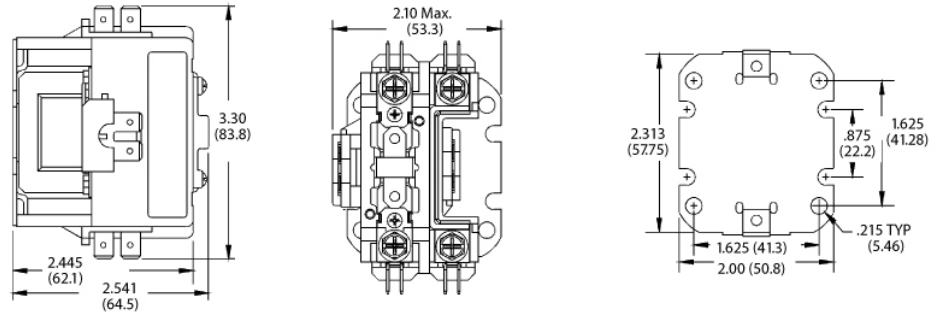
definite purpose contactor



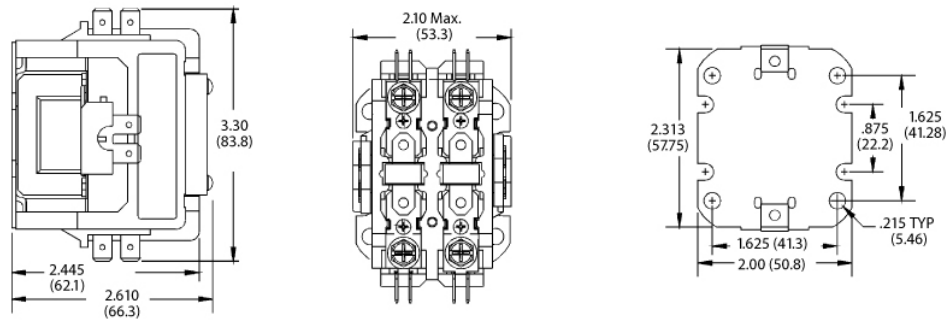
Overall Dimensions

Fig. 1

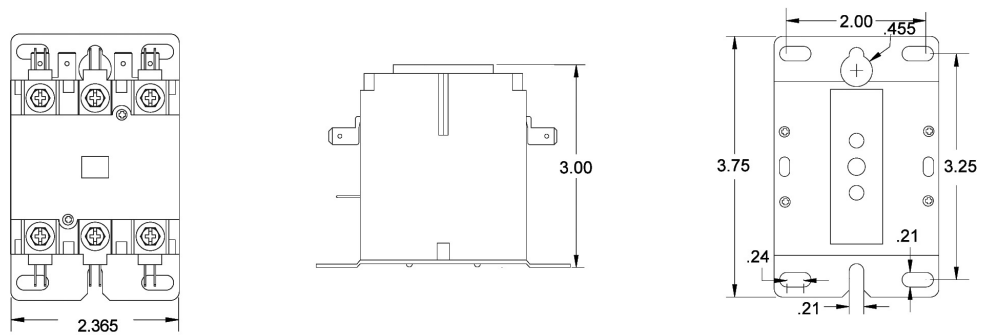
1 Pole



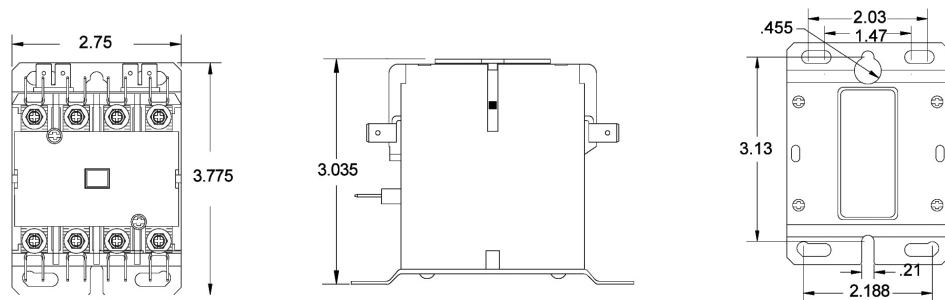
2 Pole



3 Pole



4 Pole



Dimensions in inches (millimetres)



# 30C40

## definite purpose contactor

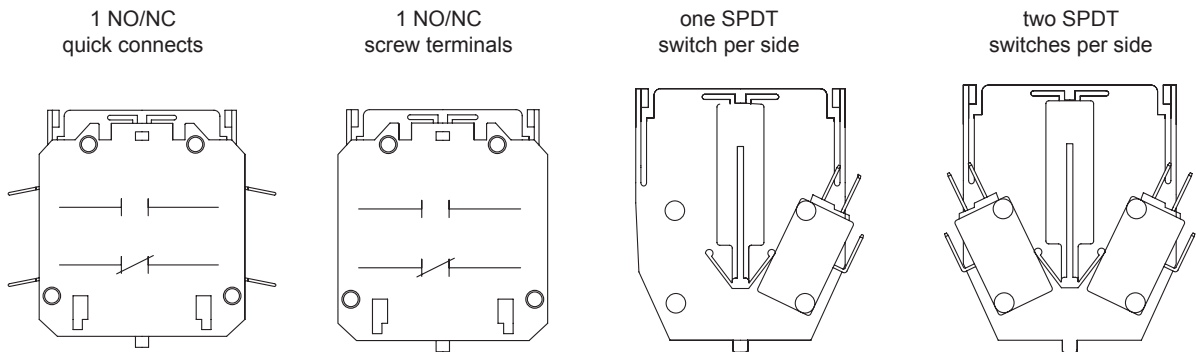


Power Terminations	
Termination Codes: 1 & 5 Standard on 20-30FLA Only #10-32 combination phillips/slotted and 5/16 hex head screw with #12 washer	
Termination Code: 2 Optional on 20-40FLA #10-32 sems screw with pressure plate	
Termination Codes: 3 & 4 Standard on 40FLA Box Lug 14-4 AWG (Cu/Al)  Dimension in inches	

### Auxillary Switches for 3 & 4 pole contactors

Description	Contact Arrangement	Termination	Part Number
Single unit interlock configuration. One on each side - max set up to two switches	SPST-NO + SPST-NC break before make	0.250" QC	30CA1Q
Single unit interlock configuration. One on each side - max set up to two switches	SPST-NO + SPST-NC break before make	#6-32 screw terminals	30CA1S
SPDT circuit One switch per side	SPDT	0.250" QC	30CB1Q
SPDT circuit Two switches per side	2 x SPDT	0.250" QC	30CB2S

Auxillary Switch Contact Rating					SPDT	
SPST-NO+SPST-NC	120VAC	240VAC	480VAC	600VAC	120VAC	250VAC
Voltage Rating	120VAC	240VAC	480VAC	600VAC	120VAC	250VAC
Amps - Break	3.00	1.50	0.75	0.60	0.5	0.25
Amps - Make	30	15	7.5	6	15	15
Amps - continuous	10	10	10	10	10	10



American Electronic Components Inc., 1100 Lafayette St., Elkhart, IN 46516

Toll Free: (888) 847-6552, Tel: (574) - 295-6330 [www.aecensors.com](http://www.aecensors.com)

Specifications and availability are liable to change without notice.

