

## 1. Overview

### 1.1 Features

The M16C Family offers a robust platform of 32-/16-bit CISC microcomputers (MCUs) featuring high ROM code efficiency, extensive EMI/EMS noise immunity, ultra-low power consumption, high-speed processing in actual applications, and numerous and varied integrated peripherals. Extensive device scalability from low- to high-end, featuring a single architecture as well as compatible pin assignments and peripheral functions, provides support for a vast range of application fields.

The R32C/100 Series is a high-end microcontroller series in the M16C Family. With a 4-Gbyte memory space, it achieves maximum code efficiency and high-speed processing with 32-bit CISC architecture, multiplier, multiply-accumulate unit, and floating point unit. The selection from the broadest choice of on-chip peripheral devices — UART, CRC, DMAC, A/D and D/A converters, timers, I<sup>2</sup>C-bus interface, and watchdog timer enables to minimize external components.

The R32C/117A Group is the standard MCU within the R32C/100 Series. This product, provided as 144/176-pin plastic molded LQFP packages, has 11 channels of serial interface, one channel of multi-master I<sup>2</sup>C-bus interface, and one channel of CAN module.

#### 1.1.1 Applications

Car audio, audio, printer, office/industrial equipment, etc.

### 1.1.2 Performance Overview

Tables 1.1 to 1.4 show the performance overview of the R32C/117A Group.

**Table 1.1 Performance Overview for the 176 pin-Package (1/2)**

Unit	Function	Explanation
CPU	Central processing unit	R32C/100 Series CPU Core <ul style="list-style-type: none"> <li>• Basic instructions: 108</li> <li>• Minimum instruction execution time: 15.625 ns (<math>f(\text{CPU}) = 64 \text{ MHz}</math>)</li> <li>• Multiplier: 32-bit <math>\times</math> 32-bit <math>\rightarrow</math> 64-bit</li> <li>• Multiply-accumulate unit: 32-bit <math>\times</math> 32-bit + 64-bit <math>\rightarrow</math> 64-bit</li> <li>• IEEE-754 compatible FPU: Single precision</li> <li>• 32-bit barrel shifter</li> <li>• Operating mode: Single-chip mode, memory expansion mode, microprocessor mode (optional <sup>(1)</sup>)</li> </ul>
Memory		Flash memory: 512 Kbytes to 1 Mbyte RAM: 96 Kbytes Data flash: 4 Kbytes $\times$ 2 blocks Refer to Table 1.5 for memory size of each product group
Voltage Detector	Low voltage detector	Optional <sup>(1)</sup> Low voltage detection interrupt
Clock	Clock generator	<ul style="list-style-type: none"> <li>• 4 circuits (main clock, sub clock, PLL, on-chip oscillator)</li> <li>• Oscillation stop detector: Main clock oscillator stop/restart detection</li> <li>• Frequency divide circuit: Divide-by-2 to divide-by-24 selectable</li> <li>• Low power modes: Wait mode, stop mode</li> </ul>
External Bus Expansion	Bus and memory expansion	<ul style="list-style-type: none"> <li>• Address space: 4 Gbytes (of which up to 64 Mbytes is user accessible)</li> <li>• External bus Interface: Support for wait-state insertion, 4 chip select outputs</li> <li>• Bus format: Separate bus/Multiplexed bus selectable, data bus width selectable (8/16/32 bits)</li> </ul>
Interrupts		Interrupt vectors: 261 External interrupt inputs: $\overline{\text{NMI}}$ , $\overline{\text{INT}} \times 9$ , key input $\times 4$ Interrupt priority levels: 7
Watchdog Timer		15 bits $\times$ 1 (selectable input frequency from prescaler output) • Automatic timer start function is available
DMA	DMAC	4 channels <ul style="list-style-type: none"> <li>• Cycle-steal transfer mode</li> <li>• Request sources: 61</li> <li>• 2 transfer modes: Single transfer, repeat transfer</li> </ul>
	DMAC II	<ul style="list-style-type: none"> <li>• Triggered by an interrupt request of any peripheral</li> <li>• 3 characteristic transfer functions: Immediate data transfer, calculation result transfer, chain transfer</li> </ul>
I/O Ports	Programmable I/O ports	<ul style="list-style-type: none"> <li>• 2 input-only ports</li> <li>• 156 CMOS I/O ports <ul style="list-style-type: none"> <li>• 52 ports are 5 V tolerant</li> </ul> </li> <li>• A pull-up resistor is selectable for every 4 input ports (except 5 V tolerant inputs)</li> </ul>

Note:

1. Contact a Renesas Electronics sales office to use the optional features.

**Table 1.2 Performance Overview for the 176-pin Package (2/2)**

Unit	Function	Explanation
Timer	Timer A	16-bit timer × 5 Timer mode, event counter mode, one-shot timer mode, pulse-width modulation (PWM) mode Two-phase pulse signal processing in event counter mode (two-phase encoder input) × 3
	Timer B	16-bit timer × 6 Timer mode, event counter mode, pulse frequency measurement mode, pulse-width measurement mode
	Three-phase motor control timer	Three-phase motor control timer × 1 (timers A1, A2, A4, and B2 used) 8-bit programmable dead time timer
Serial Interface	UART0 to UART10	Asynchronous/synchronous serial interface × 11 channels <ul style="list-style-type: none"> <li>• I<sup>2</sup>C-bus (UART0 to UART6)</li> <li>• Special mode 2 (UART0 to UART6)</li> <li>• IEBus (optional <sup>(1)</sup>) (UART0 to UART6)</li> </ul>
A/D Converter		10-bit resolution × 34 channels Sample and hold functionality integrated Self test/Open-circuit detection assist
D/A Converter		8-bit resolution × 2
CRC Calculator		CRC-CCITT ( $X^{16} + X^{12} + X^5 + 1$ )
X-Y Converter		16 bits × 16 bits
Intelligent I/O		Time measurement (input capture): 16 bits × 16 Waveform generation (output compare): 16 bits × 24 Serial interface: Variable-length synchronous serial I/O mode, IEBus mode (optional <sup>(1)</sup> )
Multi-master I <sup>2</sup> C-bus Interface		1 channel
CAN Module		1 channel CAN functionality compliant with ISO 11898-1 32 mailboxes
Flash Memory		Programming and erasure supply voltage: VCC = 3.0 to 5.5 V Minimum endurance: 1,000 program/erase cycles Suspend/resume function available Security protection: ROM code protect, ID code protect Debugging: On-chip debug, on-board flash programming
Operating Frequency/Supply Voltage		64 MHz/VCC = 3.0 to 5.5 V
Operating Temperature		-40°C to 85°C (D version) -40°C to 85°C (P version)
Current Consumption		45 mA (VCC = 5.0 V, f(CPU) = 64 MHz) 8 μA (VCC = 3.3 V, f(XCIN) = 32.768 kHz, in wait mode)
Package		176-pin plastic molded LQFP (PLQP0176KB-A)

Note:

1. Contact a Renesas Electronics sales office to use the optional features.

**Table 1.3 Performance Overview for the 144-pin Package (1/2)**

Unit	Function	Explanation
CPU	Central processing unit	R32C/100 Series CPU Core <ul style="list-style-type: none"> <li>• Basic instructions: 108</li> <li>• Minimum instruction execution time: 15.625 ns (<math>f(\text{CPU}) = 64 \text{ MHz}</math>)</li> <li>• Multiplier: 32-bit <math>\times</math> 32-bit <math>\rightarrow</math> 64-bit</li> <li>• Multiply-accumulate unit: 32-bit <math>\times</math> 32-bit + 64-bit <math>\rightarrow</math> 64-bit</li> <li>• IEEE-754 compatible FPU: Single precision</li> <li>• 32-bit barrel shifter</li> <li>• Operating mode: Single-chip mode, memory expansion mode, microprocessor mode (optional <sup>(1)</sup>)</li> </ul>
Memory		Flash memory: 512 Kbytes to 1 Mbyte RAM: 96 Kbytes Data flash: 4 Kbytes $\times$ 2 blocks Refer to Table 1.5 for memory size of each product group
Voltage Detector	Low voltage detector	Optional <sup>(1)</sup> Low voltage detection interrupt
Clock	Clock generator	<ul style="list-style-type: none"> <li>• 4 circuits (main clock, sub clock, PLL, on-chip oscillator)</li> <li>• Oscillation stop detector: Main clock oscillator stop/restart detection</li> <li>• Frequency divide circuit: Divide-by-2 to divide-by-24 selectable</li> <li>• Low power modes: Wait mode, stop mode</li> </ul>
External Bus Expansion	Bus and memory expansion	<ul style="list-style-type: none"> <li>• Address space: 4 Gbytes (of which up to 64 Mbytes is user accessible)</li> <li>• External bus Interface: Support for wait-state insertion, 4 chip select outputs</li> <li>• Bus format: Separate bus/Multiplexed bus selectable, data bus width selectable (8/16/32 bits)</li> </ul>
Interrupts		Interrupt vectors: 261 External interrupt inputs: $\overline{\text{NMI}}$ , $\overline{\text{INT}} \times 9$ , key input $\times 4$ Interrupt priority levels: 7
Watchdog Timer		15 bits $\times$ 1 (selectable input frequency from prescaler output) Automatic timer start function is available
DMA	DMAC	4 channels <ul style="list-style-type: none"> <li>• Cycle-steal transfer mode</li> <li>• Request sources: 61</li> <li>• 2 transfer modes: Single transfer, repeat transfer</li> </ul>
	DMAC II	<ul style="list-style-type: none"> <li>• Triggered by an interrupt request of any peripheral</li> <li>• 3 characteristic transfer functions: Immediate data transfer, calculation result transfer, chain transfer</li> </ul>
I/O Ports	Programmable I/O ports	<ul style="list-style-type: none"> <li>• 2 input-only ports</li> <li>• 124 CMOS I/O ports <ul style="list-style-type: none"> <li>• 40 ports are 5 V tolerant</li> </ul> </li> <li>• A pull-up resistor is selectable for every 4 input ports (except 5 V tolerant inputs)</li> </ul>

Note:

1. Contact a Renesas Electronics sales office to use the optional features.

**Table 1.4 Performance Overview for the 144-pin Package (2/2)**

Unit	Function	Explanation
Timer	Timer A	16-bit timer × 5 Timer mode, event counter mode, one-shot timer mode, pulse-width modulation (PWM) mode Two-phase pulse signal processing in event counter mode (two-phase encoder input) × 3
	Timer B	16-bit timer × 6 Timer mode, event counter mode, pulse frequency measurement mode, pulse-width measurement mode
	Three-phase motor control timer	Three-phase motor control timer × 1 (timers A1, A2, A4, and B2 used) 8-bit programmable dead time timer
Serial Interface	UART0 to UART10	Asynchronous/synchronous serial interface × 11 channels <ul style="list-style-type: none"> <li>• I<sup>2</sup>C-bus (UART0 to UART6)</li> <li>• Special mode 2 (UART0 to UART6)</li> <li>• IEBus (optional <sup>(1)</sup>) (UART0 to UART6)</li> </ul>
A/D Converter		10-bit resolution × 34 channels Sample and hold functionality integrated Self test/Open-circuit detection assist
D/A Converter		8-bit resolution × 2
CRC Calculator		CRC-CCITT ( $X^{16} + X^{12} + X^5 + 1$ )
X-Y Converter		16 bits × 16 bits
Intelligent I/O		Time measurement (input capture): 16 bits × 16 Waveform generation (output compare): 16 bits × 24 Serial interface: Variable-length synchronous serial I/O mode, IEBus mode (optional <sup>(1)</sup> )
Multi-master I <sup>2</sup> C-bus Interface		1 channel
CAN Module		1 channel CAN functionality compliant with ISO 11898-1 32 mailboxes
Flash Memory		Programming and erasure supply voltage: VCC = 3.0 to 5.5 V Minimum endurance: 1,000 program/erase cycles Suspend/resume function available Security protection: ROM code protect, ID code protect Debugging: On-chip debug, on-board flash programming
Operating Frequency/Supply Voltage		64 MHz/VCC = 3.0 to 5.5 V
Operating Temperature		-40°C to 85°C (D version) -40°C to 85°C (P version)
Current Consumption		45 mA (VCC = 5.0 V, f(CPU) = 64 MHz) 8 μA (VCC = 3.3 V, f(XCIN) = 32.768 kHz, in wait mode)
Package		144-pin plastic molded LQFP (PLQP0144KA-A)

Note:

1. Contact a Renesas Electronics sales office to use the optional features.

## 1.2 Product Information

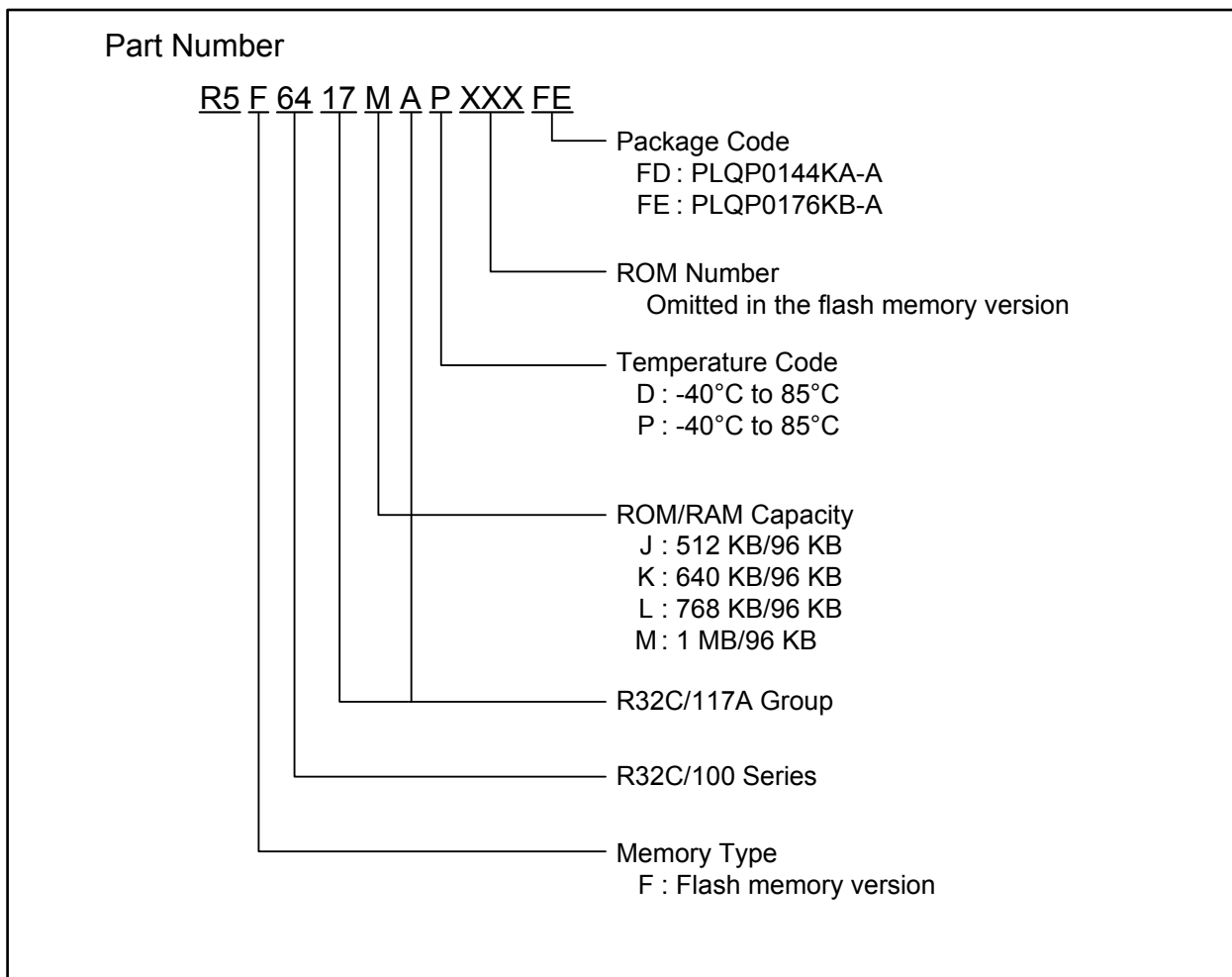
Table 1.5 lists the product information and Figure 1.1 shows the details of the part number.

**Table 1.5 R32C/117A Group Product List As of December, 2014**

Part Number	Package Code (1)	ROM Capacity (2)	RAM Capacity	Remarks
R5F6417JADFE	PLQP0176KB-A	512 Kbytes + 8 Kbytes	96 Kbytes	-40°C to 85°C (D version)
R5F6417JAPFE				-40°C to 85°C (P version)
R5F6417JADFD	PLQP0144KA-A			-40°C to 85°C (D version)
R5F6417JAPFD				-40°C to 85°C (P version)
R5F6417KADFE	PLQP0176KB-A	640 Kbytes + 8 Kbytes	96 Kbytes	-40°C to 85°C (D version)
R5F6417KAPFE				-40°C to 85°C (P version)
R5F6417KADFD	PLQP0144KA-A			-40°C to 85°C (D version)
R5F6417KAPFD				-40°C to 85°C (P version)
R5F6417LADFE	PLQP0176KB-A	768 Kbytes + 8 Kbytes	96 Kbytes	-40°C to 85°C (D version)
R5F6417LAPFE				-40°C to 85°C (P version)
R5F6417LADFD	PLQP0144KA-A			-40°C to 85°C (D version)
R5F6417LAPFD				-40°C to 85°C (P version)
R5F6417MADFE	PLQP0176KB-A	1 Mbyte + 8 Kbytes	96 Kbytes	-40°C to 85°C (D version)
R5F6417MAPFE				-40°C to 85°C (P version)
R5F6417MADFD	PLQP0144KA-A			-40°C to 85°C (D version)
R5F6417MAPFD				-40°C to 85°C (P version)

Notes:

- The old package codes are as follows:  
PLQP0144KA-A: 144P6Q-A, PLQP0176KB-A: 176P6Q-A
- " + 8 Kbytes" in the ROM capacity column indicates the data flash capacity.



**Figure 1.1 Part Numbering**

### 1.3 Block Diagram

Figure 1.2 shows a block diagram of the R32C/117A Group.

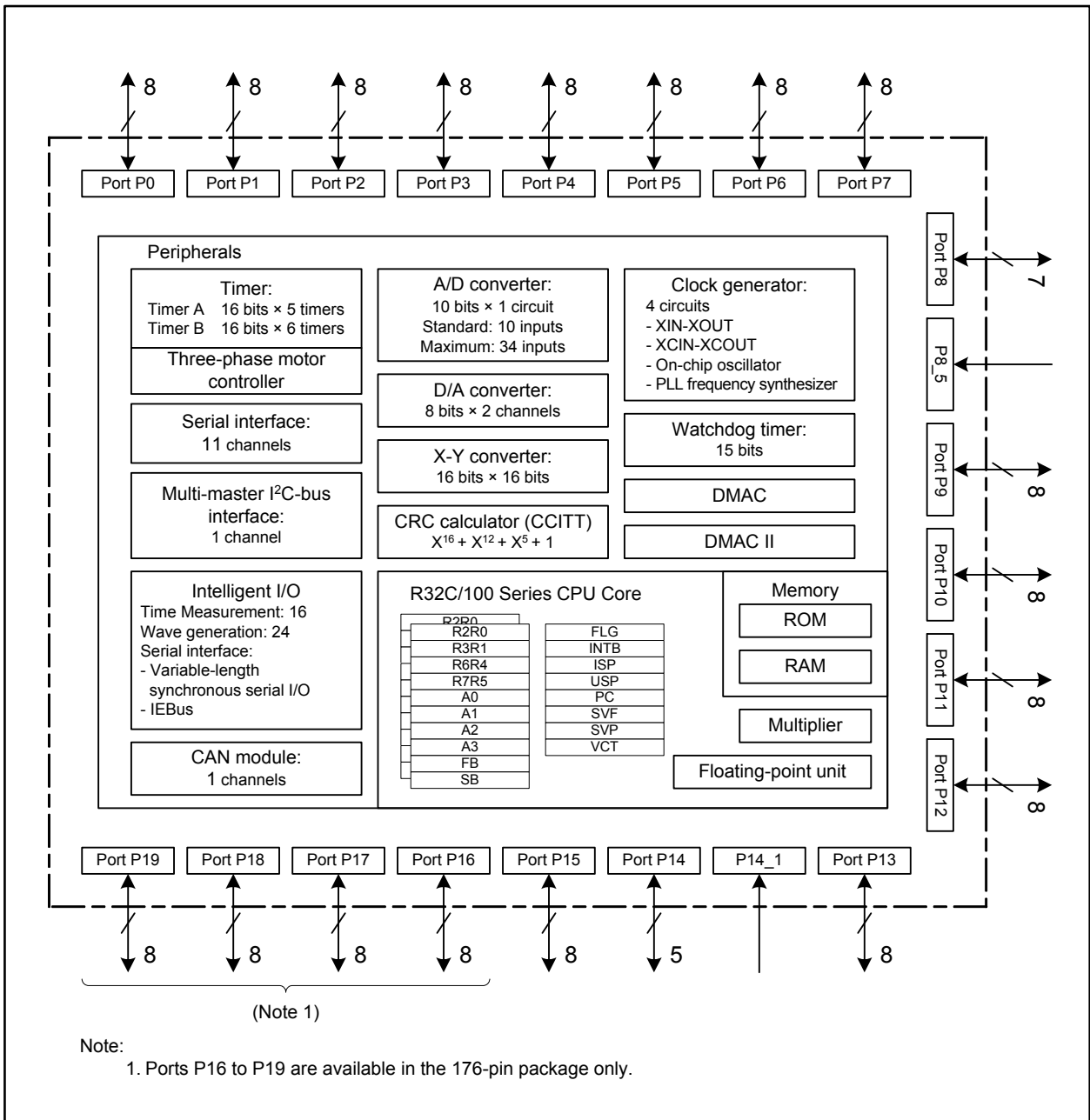


Figure 1.2 R32C/117A Group Block Diagram



### 1.4 Pin Assignments

Figures 1.3 and 1.4 show the pin assignments (top view) and Tables 1.6 to 1.13 show the pin characteristics.

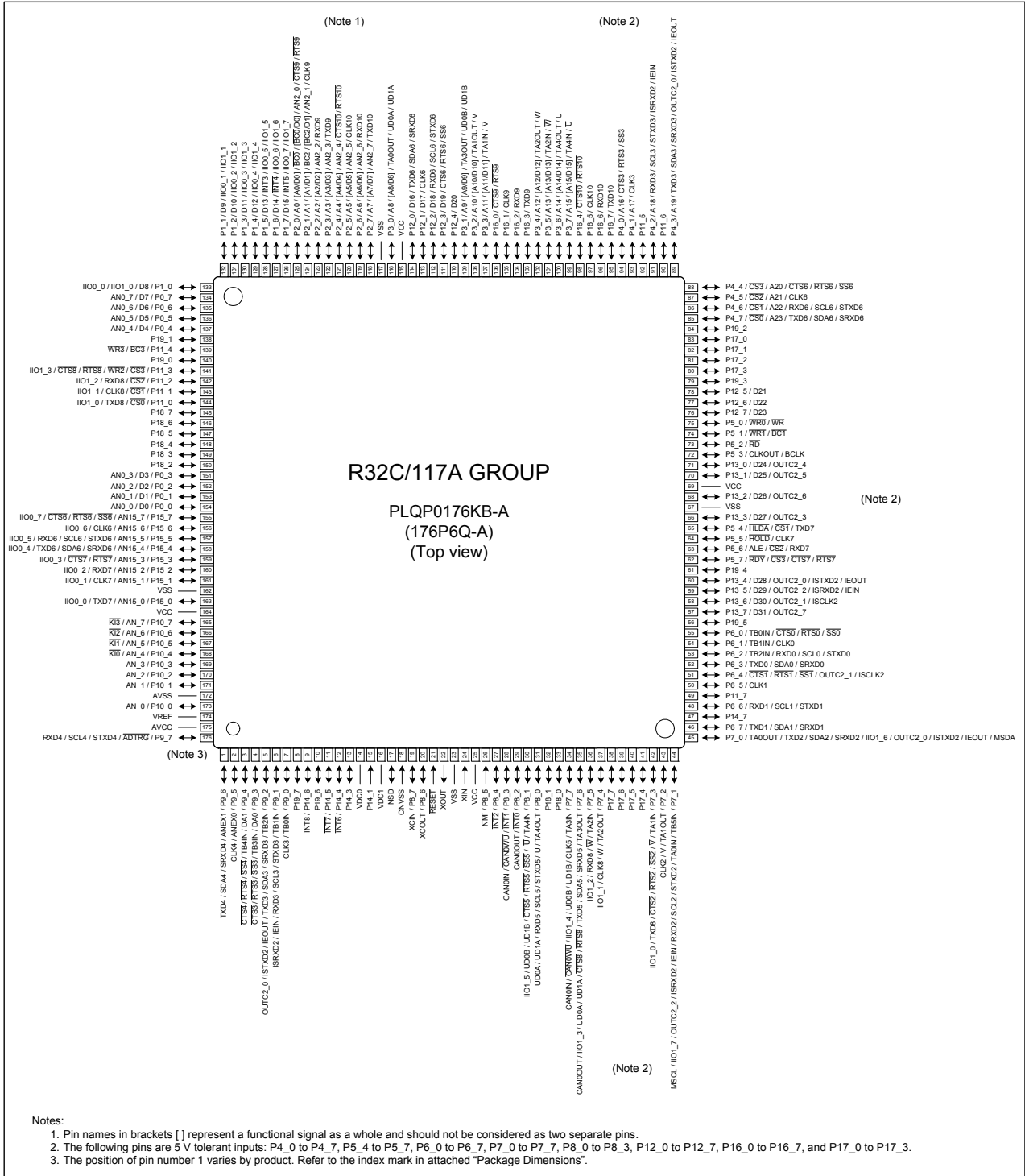


Figure 1.3 Pin Assignment for the 176-pin Package (top view)

**Table 1.6 Pin Characteristics for the 176-pin Package (1/5)**

Pin No.	Control Pin	Port	Interrupt Pin	Timer Pin	UART/CAN Module Pin	Intelligent I/O Pin	Analog Pin	Bus Control Pin
1		P9_6			TXD4/SDA4/SRXD4		ANEX1	
2		P9_5			CLK4		ANEX0	
3		P9_4		TB4IN	CTS4/RTS4/SS4		DA1	
4		P9_3		TB3IN	CTS3/RTS3/SS3		DA0	
5		P9_2		TB2IN	TXD3/SDA3/SRXD3	OUTC2_0/ISTXD2/IEOUT		
6		P9_1		TB1IN	RXD3/SCL3/STXD3	ISRXD2/IEIN		
7		P9_0		TB0IN	CLK3			
8		P19_7						
9		P14_6	INT8					
10		P19_6						
11		P14_5	INT7					
12		P14_4	INT6					
13		P14_3						
14	VDC0							
15		P14_1						
16	VDC1							
17	NSD							
18	CNVSS							
19	XCIN	P8_7						
20	XCOU	P8_6						
21	RESET							
22	XOUT							
23	VSS							
24	XIN							
25	VCC							
26		P8_5	NMI					
27		P8_4	INT2					
28		P8_3	INT1		CAN0IN/CAN0WU			
29		P8_2	INT0		CAN0OUT			
30		P8_1		TA4IN/U	CTS5/RTS5/SS5	IIO1_5/UD0B/UD1B		
31		P8_0		TA4OUT/U	RXD5/SCL5/STXD5	UD0A/UD1A		
32		P18_1						
33		P18_0						
34		P7_7		TA3IN	CLK5/CAN0IN/ CAN0WU	IIO1_4/UD0B/UD1B		
35		P7_6		TA3OUT	TXD5/SDA5/SRXD5/ CTS8/RTS8/CAN0OUT	IIO1_3/UD0A/UD1A		
36		P7_5		TA2IN/W	RXD8	IIO1_2		

**Table 1.7 Pin Characteristics for the 176-pin Package (2/5)**

Pin No.	Control Pin	Port	Interrupt Pin	Timer Pin	UART/CAN Module Pin	Intelligent I/O Pin	Analog Pin	Bus Control Pin
37		P7_4		TA2OUT/W	CLK8	IIO1_1		
38		P17_7						
39		P17_6						
40		P17_5						
41		P17_4						
42		P7_3		TA1IN/ $\bar{V}$	CTS2/RTS2/SS2/TXD8	IIO1_0		
43		P7_2		TA1OUT/V	CLK2			
44		P7_1		TA0IN/ TB5IN	RXD2/SCL2/STXD2/ MSCL	IIO1_7/OUTC2_2/ ISRXD2/IEIN		
45		P7_0		TA0OUT	TXD2/SDA2/SRXD2/ MSDA	IIO1_6/OUTC2_0/ ISTXD2/IEOUT		
46		P6_7			TXD1/SDA1/SRXD1			
47		P14_7						
48		P6_6			RXD1/SCL1/STXD1			
49		P11_7						
50		P6_5			CLK1			
51		P6_4			CTS1/RTS1/SS1	OUTC2_1/ISCLK2		
52		P6_3			TXD0/SDA0/SRXD0			
53		P6_2		TB2IN	RXD0/SCL0/STXD0			
54		P6_1		TB1IN	CLK0			
55		P6_0		TB0IN	CTS0/RTS0/SS0			
56		P19_5						
57		P13_7				OUTC2_7		D31
58		P13_6				OUTC2_1/ISCLK2		D30
59		P13_5				OUTC2_2/ISRXD2/ IEIN		D29
60		P13_4				OUTC2_0/ISTXD2/ IEOUT		D28
61		P19_4						
62		P5_7			CTS7/RTS7			$\overline{\text{RDY}}/\overline{\text{CS3}}$
63		P5_6			RXD7			$\overline{\text{ALE}}/\overline{\text{CS2}}$
64		P5_5			CLK7			$\overline{\text{HOLD}}$
65		P5_4			TXD7			$\overline{\text{HLDA}}/\overline{\text{CS1}}$
66		P13_3				OUTC2_3		D27
67	VSS							
68		P13_2				OUTC2_6		D26
69	VCC							
70		P13_1				OUTC2_5		D25
71		P13_0				OUTC2_4		D24
72		P5_3						CLKOUT/ BCLK
73		P5_2						$\overline{\text{RD}}$
74		P5_1						$\overline{\text{WR1}}/\overline{\text{BC1}}$

**Table 1.8 Pin Characteristics for the 176-pin Package (3/5)**

Pin No.	Control Pin	Port	Interrupt Pin	Timer Pin	UART/CAN Module Pin	Intelligent I/O Pin	Analog Pin	Bus Control Pin
75		P5_0						WR0/WR
76		P12_7						D23
77		P12_6						D22
78		P12_5						D21
79		P19_3						
80		P17_3						
81		P17_2						
82		P17_1						
83		P17_0						
84		P19_2						
85		P4_7			TXD6/SDA6/SRXD6			CS0/A23
86		P4_6			RXD6/SCL6/STXD6			CS1/A22
87		P4_5			CLK6			CS2/A21
88		P4_4			CTS6/RTS6/SS6			CS3/A20
89		P4_3			TXD3/SDA3/SRXD3	OUTC2_0/ISTXD2/ IEOUT		A19
90		P11_6						
91		P4_2			RXD3/SCL3/STXD3	ISRXD2/IEIN		A18
92		P11_5						
93		P4_1			CLK3			A17
94		P4_0			CTS3/RTS3/SS3			A16
95		P16_7			TXD10			
96		P16_6			RXD10			
97		P16_5			CLK10			
98		P16_4			CTS10/RTS10			
99		P3_7		TA4IN/ $\bar{U}$				A15/(D15)
100		P3_6		TA4OUT/U				A14/(D14)
101		P3_5		TA2IN/ $\bar{W}$				A13/(D13)
102		P3_4		TA2OUT/W				A12/(D12)
103		P16_3			TXD9			
104		P16_2			RXD9			
105		P16_1			CLK9			
106		P16_0			CTS9/RTS9			
107		P3_3		TA1IN/ $\bar{V}$				A11/(D11)
108		P3_2		TA1OUT/V				A10/(D10)
109		P3_1		TA3OUT		UD0B/UD1B		A9/(D9)
110		P12_4						D20
111		P12_3			CTS6/RTS6/SS6			D19
112		P12_2			RXD6/SCL6/STXD6			D18
113		P12_1			CLK6			D17
114		P12_0			TXD6/SDA6/SRXD6			D16

**Table 1.9 Pin Characteristics for the 176-pin Package (4/5)**

Pin No.	Control Pin	Port	Interrupt Pin	Timer Pin	UART/CAN Module Pin	Intelligent I/O Pin	Analog Pin	Bus Control Pin
115	VCC							
116		P3_0		TA0OUT		UD0A/UD1A		A8(/D8)
117	VSS							
118		P2_7			TXD10		AN2_7	A7(/D7)
119		P2_6			RXD10		AN2_6	A6(/D6)
120		P2_5			CLK10		AN2_5	A5(/D5)
121		P2_4			CTS10/RTS10		AN2_4	A4(/D4)
122		P2_3			TXD9		AN2_3	A3(/D3)
123		P2_2			RXD9		AN2_2	A2(/D2)
124		P2_1			CLK9		AN2_1	A1(/D1)/ BC2(/D1)
125		P2_0			CTS9/RTS9		AN2_0	A0(/D0)/ BC0(/D0)
126		P1_7	INT5			IIO0_7/IIO1_7		D15
127		P1_6	INT4			IIO0_6/IIO1_6		D14
128		P1_5	INT3			IIO0_5/IIO1_5		D13
129		P1_4				IIO0_4/IIO1_4		D12
130		P1_3				IIO0_3/IIO1_3		D11
131		P1_2				IIO0_2/IIO1_2		D10
132		P1_1				IIO0_1/IIO1_1		D9
133		P1_0				IIO0_0/IIO1_0		D8
134		P0_7					AN0_7	D7
135		P0_6					AN0_6	D6
136		P0_5					AN0_5	D5
137		P0_4					AN0_4	D4
138		P19_1						
139		P11_4						BC3/WR3
140		P19_0						
141		P11_3			CTS8/RTS8	IIO1_3		CS3/WR2
142		P11_2			RXD8	IIO1_2		CS2
143		P11_1			CLK8	IIO1_1		CS1
144		P11_0			TXD8	IIO1_0		CS0
145		P18_7						
146		P18_6						
147		P18_5						
148		P18_4						
149		P18_3						
150		P18_2						
151		P0_3					AN0_3	D3
152		P0_2					AN0_2	D2
153		P0_1					AN0_1	D1
154		P0_0					AN0_0	D0
155		P15_7			CTS6/RTS6/SS6	IIO0_7	AN15_7	

**Table 1.10 Pin Characteristics for the 176-pin Package (5/5)**

Pin No.	Control Pin	Port	Interrupt Pin	Timer Pin	UART/CAN Module Pin	Intelligent I/O Pin	Analog Pin	Bus Control Pin
156		P15_6			CLK6	IIO0_6	AN15_6	
157		P15_5			RXD6/SCL6/STXD6	IIO0_5	AN15_5	
158		P15_4			TXD6/SDA6/SRXD6	IIO0_4	AN15_4	
159		P15_3			CTS7/RTS7	IIO0_3	AN15_3	
160		P15_2			RXD7	IIO0_2	AN15_2	
161		P15_1			CLK7	IIO0_1	AN15_1	
162	VSS							
163		P15_0			TXD7	IIO0_0	AN15_0	
164	VCC							
165		P10_7	KI3				AN_7	
166		P10_6	KI2				AN_6	
167		P10_5	KI1				AN_5	
168		P10_4	KI0				AN_4	
169		P10_3					AN_3	
170		P10_2					AN_2	
171		P10_1					AN_1	
172	AVSS							
173		P10_0					AN_0	
174	VREF							
175	AVCC							
176		P9_7			RXD4/SCL4/STXD4		ADTRG	

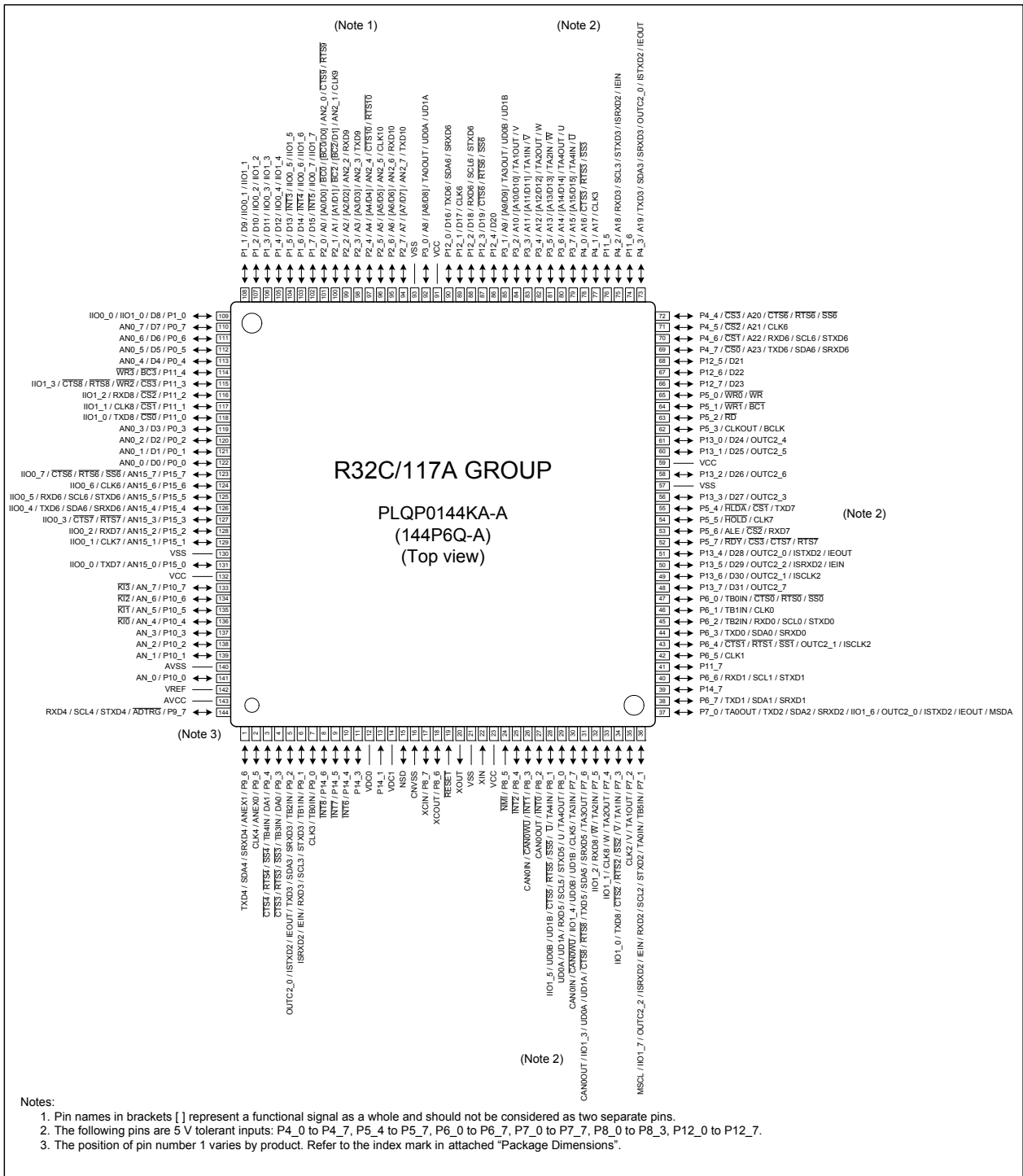


Figure 1.4 Pin Assignment for the 144-pin Package (top view)

**Table 1.11 Pin Characteristics for the 144-pin Package (1/4)**

Pin No.	Control Pin	Port	Interrupt Pin	Timer Pin	UART/CAN Module Pin	Intelligent I/O Pin	Analog Pin	Bus Control Pin
1		P9_6			TXD4/SDA4/SRXD4		ANEX1	
2		P9_5			CLK4		ANEX0	
3		P9_4		TB4IN	CTS4/RTS4/SS4		DA1	
4		P9_3		TB3IN	CTS3/RTS3/SS3		DA0	
5		P9_2		TB2IN	TXD3/SDA3/SRXD3	OUTC2_0/ISTXD2/ IEOUT		
6		P9_1		TB1IN	RXD3/SCL3/STXD3	ISRXD2/IEIN		
7		P9_0		TB0IN	CLK3			
8		P14_6	INT8					
9		P14_5	INT7					
10		P14_4	INT6					
11		P14_3						
12	VDC0							
13		P14_1						
14	VDC1							
15	NSD							
16	CNVSS							
17	XCIN	P8_7						
18	XCOU	P8_6						
19	RESET							
20	XOUT							
21	VSS							
22	XIN							
23	VCC							
24		P8_5	NMI					
25		P8_4	INT2					
26		P8_3	INT1		CAN0IN/CAN0WU			
27		P8_2	INT0		CAN0OUT			
28		P8_1		TA4IN/U	CTS5/RTS5/SS5	IIO1_5/UD0B/UD1B		
29		P8_0		TA4OUT/U	RXD5/SCL5/STXD5	UD0A/UD1A		
30		P7_7		TA3IN	CLK5/CAN0IN/ CAN0WU	IIO1_4/UD0B/UD1B		
31		P7_6		TA3OUT	TXD5/SDA5/SRXD5/ CTS8/RTS8/CAN0OUT	IIO1_3/UD0A/UD1A		
32		P7_5		TA2IN/W	RXD8	IIO1_2		
33		P7_4		TA2OUT/W	CLK8	IIO1_1		
34		P7_3		TA1IN/V	CTS2/RTS2/SS2/TXD8	IIO1_0		
35		P7_2		TA1OUT/V	CLK2			
36		P7_1		TA0IN/ TB5IN	RXD2/SCL2/STXD2/ MSCL	IIO1_7/OUTC2_2/ ISRXD2/IEIN		



**Table 1.12 Pin Characteristics for the 144-pin Package (2/4)**

Pin No.	Control Pin	Port	Interrupt Pin	Timer Pin	UART/CAN Module Pin	Intelligent I/O Pin	Analog Pin	Bus Control Pin
37		P7_0		TA0OUT	TXD2/SDA2/SRXD2/ MSDA	IIO1_6/OUTC2_0/ ISTXD2/IEOUT		
38		P6_7			TXD1/SDA1/SRXD1			
39		P14_7						
40		P6_6			RXD1/SCL1/STXD1			
41		P11_7						
42		P6_5			CLK1			
43		P6_4			CTS1/RTS1/SS1	OUTC2_1/ISCLK2		
44		P6_3			TXD0/SDA0/SRXD0			
45		P6_2		TB2IN	RXD0/SCL0/STXD0			
46		P6_1		TB1IN	CLK0			
47		P6_0		TB0IN	CTS0/RTS0/SS0			
48		P13_7				OUTC2_7		D31
49		P13_6				OUTC2_1/ISCLK2		D30
50		P13_5				OUTC2_2/ISRXD2/ IEIN		D29
51		P13_4				OUTC2_0/ISTXD2/ IEOUT		D28
52		P5_7			CTS7/RTS7			RDY/CS3
53		P5_6			RXD7			ALE/CS2
54		P5_5			CLK7			HOLD
55		P5_4			TXD7			HLDA/CS1
56		P13_3				OUTC2_3		D27
57	VSS							
58		P13_2				OUTC2_6		D26
59	VCC							
60		P13_1				OUTC2_5		D25
61		P13_0				OUTC2_4		D24
62		P5_3						CLKOUT/ BCLK
63		P5_2						RD
64		P5_1						WR1/BC1
65		P5_0						WR0/WR
66		P12_7						D23
67		P12_6						D22
68		P12_5						D21
69		P4_7			TXD6/SDA6/SRXD6			CS0/A23
70		P4_6			RXD6/SCL6/STXD6			CS1/A22
71		P4_5			CLK6			CS2/A21
72		P4_4			CTS6/RTS6/SS6			CS3/A20
73		P4_3			TXD3/SDA3/SRXD3	OUTC2_0/ISTXD2/ IEOUT		A19
74		P11_6						

**Table 1.13 Pin Characteristics for the 144-pin Package (3/4)**

Pin No.	Control Pin	Port	Interrupt Pin	Timer Pin	UART/CAN Module Pin	Intelligent I/O Pin	Analog Pin	Bus Control Pin
75		P4_2			RXD3/SCL3/STXD3	ISRXD2/IEIN		A18
76		P11_5						
77		P4_1			CLK3			A17
78		P4_0			CTS3/RTS3/SS3			A16
79		P3_7		TA4IN/U				A15/(D15)
80		P3_6		TA4OUT/U				A14/(D14)
81		P3_5		TA2IN/W				A13/(D13)
82		P3_4		TA2OUT/W				A12/(D12)
83		P3_3		TA1IN/V				A11/(D11)
84		P3_2		TA1OUT/V				A10/(D10)
85		P3_1		TA3OUT		UD0B/UD1B		A9/(D9)
86		P12_4						D20
87		P12_3			CTS6/RTS6/SS6			D19
88		P12_2			RXD6/SCL6/STXD6			D18
89		P12_1			CLK6			D17
90		P12_0			TXD6/SDA6/SRXD6			D16
91	VCC							
92		P3_0		TA0OUT		UD0A/UD1A		A8/(D8)
93	VSS							
94		P2_7			TXD10		AN2_7	A7/(D7)
95		P2_6			RXD10		AN2_6	A6/(D6)
96		P2_5			CLK10		AN2_5	A5/(D5)
97		P2_4			CTS10/RTS10		AN2_4	A4/(D4)
98		P2_3			TXD9		AN2_3	A3/(D3)
99		P2_2			RXD9		AN2_2	A2/(D2)
100		P2_1			CLK9		AN2_1	A1/(D1)/ BC2/(D1)
101		P2_0			CTS9/RTS9		AN2_0	A0/(D0)/ BC0/(D0)
102		P1_7	INT5			IIO0_7/IIO1_7		D15
103		P1_6	INT4			IIO0_6/IIO1_6		D14
104		P1_5	INT3			IIO0_5/IIO1_5		D13
105		P1_4				IIO0_4/IIO1_4		D12
106		P1_3				IIO0_3/IIO1_3		D11
107		P1_2				IIO0_2/IIO1_2		D10
108		P1_1				IIO0_1/IIO1_1		D9
109		P1_0				IIO0_0/IIO1_0		D8
110		P0_7					AN0_7	D7
111		P0_6					AN0_6	D6

**Table 1.14 Pin Characteristics for the 144-pin Package (4/4)**

Pin No.	Control Pin	Port	Interrupt Pin	Timer Pin	UART/CAN Module Pin	Intelligent I/O Pin	Analog Pin	Bus Control Pin
112		P0_5					AN0_5	D5
113		P0_4					AN0_4	D4
114		P11_4						BC3/WR3
115		P11_3			CTS8/RTS8	IIO1_3		CS3/WR2
116		P11_2			RXD8	IIO1_2		CS2
117		P11_1			CLK8	IIO1_1		CS1
118		P11_0			TXD8	IIO1_0		CS0
119		P0_3					AN0_3	D3
120		P0_2					AN0_2	D2
121		P0_1					AN0_1	D1
122		P0_0					AN0_0	D0
123		P15_7			CTS6/RTS6/SS6	IIO0_7	AN15_7	
124		P15_6			CLK6	IIO0_6	AN15_6	
125		P15_5			RXD6/SCL6/STXD6	IIO0_5	AN15_5	
126		P15_4			TXD6/SDA6/SRXD6	IIO0_4	AN15_4	
127		P15_3			CTS7/RTS7	IIO0_3	AN15_3	
128		P15_2			RXD7	IIO0_2	AN15_2	
129		P15_1			CLK7	IIO0_1	AN15_1	
130	VSS							
131		P15_0			TXD7	IIO0_0	AN15_0	
132	VCC							
133		P10_7	KI3				AN_7	
134		P10_6	KI2				AN_6	
135		P10_5	KI1				AN_5	
136		P10_4	KI0				AN_4	
137		P10_3					AN_3	
138		P10_2					AN_2	
139		P10_1					AN_1	
140	AVSS							
141		P10_0					AN_0	
142	VREF							
143	AVCC							
144		P9_7			RXD4/SCL4/STXD4		ADTRG	

## 1.5 Pin Definitions and Functions

Tables 1.15 to 1.19 show the pin definitions and functions.

**Table 1.15 Pin Definitions and Functions (1/4)**

Function	Symbol	I/O	Description
Power supply	VCC, VSS	I	Applicable as follows: VCC = 3.0 to 5.5 V, VSS = 0 V
Connecting pins for decoupling capacitor	VDC0, VDC1	—	A decoupling capacitor for internal voltage should be connected between VDC0 and VDC1
Analog power supply	AVCC, AVSS	I	Power supply for the A/D converter. AVCC and AVSS should be connected to VCC and VSS, respectively
Reset input	$\overline{\text{RESET}}$	I	The MCU is reset when this pin is driven low
CNVSS	CNVSS	I	This pin should be connected to VSS via a resistor
Debug port	NSD	I/O	This pin is to communicate with a debugger. It should be connected to VCC via a resistor of 1 to 4.7 k $\Omega$
Main clock input	XIN	I	Input/output for the main clock oscillator. A crystal, or a ceramic resonator should be connected between pins XIN and XOUT. An external clock should be input at the XIN while leaving the XOUT open
Main clock output	XOUT	O	
Sub clock input	XCIN	I	Input/output for the sub clock oscillator. A crystal oscillator should be connected between pins XCIN and XCOU. An external clock should be input at the XCIN while leaving the XCOU open
Sub clock output	XCOU	O	
BCLK output	BCLK	O	BCLK output
Clock output	CLKOUT	O	Output of the clock with the same frequency as low speed clocks, f8, or f32
External interrupt input	$\overline{\text{INT0}}$ to $\overline{\text{INT8}}$	I	Input for external interrupts
NMI input	P8_5/ $\overline{\text{NMI}}$	I	Input for NMI
Key input interrupt	$\overline{\text{KI0}}$ to $\overline{\text{KI3}}$	I	Input for the key input interrupt
Bus control pins	D0 to D7	I/O	Input/output of data (D0 to D7) while accessing an external memory space with a separate bus
	D8 to D15	I/O	Input/output of data (D8 to D15) while accessing an external memory space with 16-bit or 32-bit separate bus
	D16 to D31	I/O	Input/output of data (D16 to D31) while accessing an external memory space with 32-bit separate bus
	A0 to A23	O	Output of address bits A0 to A23
	A0/D0 to A7/D7	I/O	Output of address bits (A0 to A7) and input/output of data (D0 to D7) by time-division while accessing an external memory space with multiplexed bus
	A8/D8 to A15/D15	I/O	Output of address bits (A8 to A15) and input/output of data (D8 to D15) by time-division while accessing an external memory space with 16-bit or 32-bit multiplexed bus

Table 1.16 Pin Definitions and Functions (2/4)

Function	Symbol	I/O	Description
Bus control pins	$\overline{BC0}/D0, \overline{BC2}/D1$	I/O	Output of byte control ( $\overline{BC0}$ and $\overline{BC2}$ ) and input/output of data (D0 and D1) by time-division while accessing an external memory space with multiplexed bus
	$\overline{CS0}$ to $\overline{CS3}$	O	Chip select output
	$\overline{WR0}/\overline{WR1}/\overline{WR2}/\overline{WR3},$ $\overline{WR}/\overline{BC0}/\overline{BC1}/\overline{BC2}/\overline{BC3},$ $\overline{RD}$	O	Output of write, byte control, and read signals. Either $\overline{WRx}$ or $\overline{WR}$ and $\overline{BCx}$ can be selected by a program. Data is read when $\overline{RD}$ is low.  <ul style="list-style-type: none"> <li>• When <math>\overline{WR0}, \overline{WR1}, \overline{WR2}, \overline{WR3},</math> and <math>\overline{RD}</math> are selected, data is written to the following address: <ul style="list-style-type: none"> <li>4n+0, when <math>\overline{WR0}</math> is low</li> <li>4n+1, when <math>\overline{WR1}</math> is low</li> <li>4n+2, when <math>\overline{WR2}</math> is low</li> <li>4n+3, when <math>\overline{WR3}</math> is low</li> </ul> </li> <li>on 32-bit external data bus</li> <li>or</li> <li>an even address, when <math>\overline{WR0}</math> is low</li> <li>an odd address, when <math>\overline{WR1}</math> is low</li> <li>on 16-bit external data bus</li> </ul> <ul style="list-style-type: none"> <li>• When <math>\overline{WR}, \overline{BC0}, \overline{BC1}, \overline{BC2}, \overline{BC3},</math> and <math>\overline{RD}</math> are selected, data is written, when <math>\overline{WR}</math> is low and the following address is accessed: <ul style="list-style-type: none"> <li>4n+0, when <math>\overline{BC0}</math> is low</li> <li>4n+1, when <math>\overline{BC1}</math> is low</li> <li>4n+2, when <math>\overline{BC2}</math> is low</li> <li>4n+3, when <math>\overline{BC3}</math> is low</li> </ul> </li> <li>on 32-bit external data bus</li> <li>or</li> <li>an even address, when <math>\overline{BC0}</math> is low</li> <li>an odd address, when <math>\overline{BC1}</math> is low</li> <li>on 16-bit external data bus</li> </ul>
	ALE	O	Latch enable signal in multiplexed bus format
	$\overline{HOLD}$	I	The MCU is in a hold state while this pin is held low
	$\overline{HLDA}$	O	This pin is driven low while the MCU is held in a hold state
$\overline{RDY}$	I	Bus cycle is extended by the CPU if this pin is low on the falling edge of BCLK	

**Table 1.17 Pin Definitions and Functions (3/4)**

Function	Symbol	I/O	Description
I/O port (1)	P0_0 to P0_7, P1_0 to P1_7, P2_0 to P2_7, P3_0 to P3_7, P4_0 to P4_7, P5_0 to P5_7, P6_0 to P6_7, P7_0 to P7_7, P8_0 to P8_4, P8_6, P8_7, P9_0 to P9_7, P10_0 to P10_7, P11_0 to P11_7, P12_0 to P12_7, P13_0 to P13_7, P14_3 to P14_7, P15_0 to P15_7, P16_0 to P16_7, P17_0 to P17_7, P18_0 to P18_7, P19_0 to P19_7	I/O	I/O ports in CMOS. Each port can be programmed to input or output under the control of the direction register. Some ports are 5 V tolerant inputs. Pull-up resistors and N-channel open drain setting can be enabled on some ports. Refer to Table 1.19 "Pin Specifications" for details
Input port	P14_1	I	Input port in CMOS Pull-up resistor is selectable. Refer to Table 1.19 "Pin Specifications" for details
Timer A	TA0OUT to TA4OUT	I/O	Timers A0 to A4 input/output
	TA0IN to TA4IN	I	Timers A0 to A4 input
Timer B	TB0IN to TB5IN	I	Timers B0 to B5 input
Three-phase motor control timer output	U, $\bar{U}$ , V, $\bar{V}$ , W, $\bar{W}$	O	Three-phase motor control timer output
Serial interface	$\overline{\text{CTS0}}$ to $\overline{\text{CTS10}}$	I	Handshake input
	$\overline{\text{RTS0}}$ to $\overline{\text{RTS10}}$	O	Handshake output
	CLK0 to CLK10	I/O	Transmit/receive clock input/output
	RXD0 to RXD10	I	Serial data input
	TXD0 to TXD10	O	Serial data output
I <sup>2</sup> C-bus (simplified)	SDA0 to SDA6	I/O	Serial data input/output
	SCL0 to SCL6	I/O	Transmit/receive clock input/output
Serial interface special functions	STXD0 to STXD6	O	Serial data output in slave mode
	SRXD0 to SRXD6	I	Serial data input in slave mode
	$\overline{\text{SS0}}$ to $\overline{\text{SS6}}$	I	Input to control serial interface special functions

Note:

1. Ports P16 to P19 are available in the 176-pin package only.

**Table 1.18 Pin Definitions and Functions (4/4)**

Function	Symbol	I/O	Description
A/D converter	AN_0 to AN_7, AN0_0 to AN0_7, AN2_0 to AN2_7, AN15_0 to AN15_7	I	Analog input for the A/D converter
	ADTRG	I	External trigger input for the A/D converter
	ANEX0	I/O	Expanded analog input for the A/D converter and output in external op-amp connection mode
	ANEX1	I	Expanded analog input for the A/D converter
D/A converter	DA0, DA1	O	Output for the D/A converter
Reference voltage input	VREF	I	Reference voltage input for the A/D converter and D/A converter
Intelligent I/O	IIO0_0 to IIO0_7	I/O	Input/output for Intelligent I/O group 0. Either input capture or output compare is selectable
	IIO1_0 to IIO1_7	I/O	Input/output for Intelligent I/O group 1. Either input capture or output compare is selectable
	UD0A, UD0B, UD1A, UD1B	I	Input for the two-phase encoder
	OUTC2_0 to OUTC2_7	O	Output for OC (output compare) of Intelligent I/O group 2
	ISCLK2	I/O	Clock input/output for the serial interface
	ISRXD2	I	Receive data input for the serial interface
	ISTXD2	O	Transmit data output for the serial interface
	IEIN	I	Receive data input for the serial interface
	IEOUT	O	Transmit data output for the serial interface
Multi-master I <sup>2</sup> C-bus	MSDA	I/O	Serial data input/output
	MSCL	I/O	Transmit/receive clock input/output
CAN Module	CAN0IN	I	Receive data input for the CAN communications
	CAN0OUT	O	Transmit data output for the CAN communications
	CAN0WU	I	Input for the CAN wake-up interrupt

**Table 1.19 Pin Specifications**

Pin names	Package		Selectable Functions		5 V tolerant input <sup>(3)</sup>
	176-pin	144-pin	Pull-up resistor <sup>(1)</sup>	N-channel open drain <sup>(2)</sup>	
P0_0 to P0_7	✓	✓	✓		
P1_0 to P1_7	✓	✓	✓		
P2_0 to P2_7	✓	✓	✓	✓	
P3_0 to P3_7	✓	✓	✓		
P4_0 to P4_7	✓	✓		✓	✓
P5_0 to P5_3	✓	✓	✓		
P5_4 to P5_7	✓	✓		✓	✓
P6_0 to P6_7	✓	✓		✓	✓
P7_0 to P7_7	✓	✓		✓	✓
P8_0 to P8_3	✓	✓		✓	✓
P8_4, P8_6, P8_7	✓	✓	✓		
P9_0 to P9_7	✓	✓	✓	✓	
P10_0 to P10_7	✓	✓	✓		
P11_0 to P11_3	✓	✓	✓	✓	
P11_4 to P11_7	✓	✓	✓		
P12_0 to P12_7	✓	✓		✓	✓
P13_0 to P13_7	✓	✓	✓		
P14_1, P14_3	✓	✓	✓		
P14_4 to P14_7	✓	✓	✓		
P15_0 to P15_7	✓	✓	✓	✓	
P16_0 to P16_7	✓			✓	✓
P17_0 to P17_3	✓			✓	✓
P17_4 to P17_7	✓		✓		
P18_0 to P18_7	✓		✓		
P19_0 to P19_7	✓		✓		

**Notes:**

1. Pull-up resistors are selected for the following 4-pin units: Pi\_0 to Pi\_3 and Pi\_4 to Pi\_7 (i = 0 to 19); however, they are enabled only for the input pins.
2. N-channel open drain output can be enabled on the applicable pins on a discrete pin basis.
3. 5 V tolerant input is enabled when an applicable pin is set as an input port. When it is set as an I/O port, to enable 5 V tolerant input, this pin should be set as N-channel open drain output.



## 2. Central Processing Unit (CPU)

The CPU contains the registers shown below. There are two register banks each consisting of registers R2R0, R3R1, R6R4, R7R5, A0 to A3, SB, and FB.



Figure 2.1 CPU Registers

## 2.1 General Purpose Registers

### 2.1.1 Data Registers (R2R0, R3R1, R6R4, and R7R5)

These 32-bit registers are primarily used for transfers and arithmetic/logic operations.

Each of the registers can be divided into upper and lower 16-bit registers, e.g. R2R0 can be divided into R2 and R0, R3R1 can be divided into R3 and R1, etc.

Moreover, data registers R2R0 and R3R1 can be divided into four 8-bit data registers: upper (R2H and R3H), mid-upper (R2L and R3L), mid-lower (R0H and R1H), and lower (R0L and R1L).

### 2.1.2 Address Registers (A0, A1, A2, and A3)

These 32-bit registers have functions similar to data registers. They are also used for address register indirect addressing and address register relative addressing.

### 2.1.3 Static Base Register (SB)

This 32-bit register is used for SB relative addressing.

### 2.1.4 Frame Base Register (FB)

This 32-bit register is used for FB relative addressing.

### 2.1.5 Program Counter (PC)

This 32-bit counter indicates the address of the instruction to be executed next.

### 2.1.6 Interrupt Vector Table Base Register (INTB)

This 32-bit register indicates the start address of a relocatable vector table.

### 2.1.7 User Stack Pointer (USP) and Interrupt Stack Pointer (ISP)

Two types of 32-bit stack pointers (SPs) are provided: user stack pointer (USP) and interrupt stack pointer (ISP).

Use the stack pointer select flag (U flag) to select either the user stack pointer (USP) or the interrupt stack pointer (ISP). The U flag is bit 7 in the flag register (FLG). Refer to 2.1.8 "Flag Register (FLG)" for details.

To minimize the overhead of interrupt sequence due to less memory access, set the user stack pointer (USP) or the interrupt stack pointer (ISP) to a multiple of 4.

### 2.1.8 Flag Register (FLG)

This 32-bit register indicates the CPU status.

#### 2.1.8.1 Carry Flag (C flag)

This flag retains a carry, borrow, or shifted-out bit generated by the arithmetic logic unit (ALU).

#### 2.1.8.2 Debug Flag (D flag)

This flag is only for debugging. Only set this bit to 0.

#### 2.1.8.3 Zero Flag (Z flag)

This flag becomes 1 when the result of an operation is 0; otherwise it is 0.

#### 2.1.8.4 Sign Flag (S flag)

This flag becomes 1 when the result of an operation is a negative value; otherwise it is 0.

### 2.1.8.5 Register Bank Select Flag (B flag)

This flag selects a register bank. It indicates 0 when register bank 0 is selected, and 1 when register bank 1 is selected.

### 2.1.8.6 Overflow Flag (O flag)

This flag becomes 1 when the result of an operation overflows; otherwise it is 0.

### 2.1.8.7 Interrupt Enable Flag (I flag)

This flag enables maskable interrupts. To disable maskable interrupts, set this flag to 0. To enable them, set this flag to 1. When an interrupt is accepted, the flag becomes 0.

### 2.1.8.8 Stack Pointer Select Flag (U flag)

To select the interrupt stack pointer (ISP), set this flag to 0. To select the user stack pointer (USP), set this flag to 1.

It becomes 0 when a hardware interrupt is accepted or when an INT instruction designated by a software interrupt number from 0 to 127 is executed.

### 2.1.8.9 Floating-point Underflow Flag (FU flag)

This flag becomes 1 when an underflow occurs in a floating-point operation; otherwise it is 0. It also becomes 1 when the operand contains invalid numbers (subnormal numbers).

### 2.1.8.10 Floating-point Overflow Flag (FO flag)

This flag becomes 1 when an overflow occurs in a floating-point operation; otherwise it is 0. It also becomes 1 when the operand contains invalid numbers (subnormal numbers).

### 2.1.8.11 Processor Interrupt Priority Level (IPL)

The processor interrupt priority level (IPL), consisting of 3 bits, selects a processor interrupt priority level from level 0 to 7. An interrupt is enabled when the interrupt request level is higher than the selected IPL.

When the processor interrupt priority level (IPL) is set to 111b (level 7), all interrupts are disabled.

### 2.1.8.12 Fixed-point Radix Point Designation Bit (DP bit)

This bit designates the radix point. It also specifies which portion of the fixed-point multiplication result to extract. It is used for the MULX instruction.

### 2.1.8.13 Floating-point Rounding Mode (RND)

The 2-bit floating-point rounding mode selects a rounding mode for floating-point calculation results.

### 2.1.8.14 Reserved

Only set this bit to 0. The read value is undefined.

## 2.2 Fast Interrupt Registers

The following three registers are provided to minimize the overhead of the interrupt sequence.

### 2.2.1 Save Flag Register (SVF)

This 32-bit register is used to save the flag register when a fast interrupt occurs.

### 2.2.2 Save PC Register (SVP)

This 32-bit register is used to save the program counter when a fast interrupt occurs.

### 2.2.3 Vector Register (VCT)

This 32-bit register is used to indicate a jump address when a fast interrupt occurs.

## 2.3 DMAC-associated Registers

There are seven types of DMAC-associated registers.

### 2.3.1 DMA Mode Registers (DMD0, DMD1, DMD2, and DMD3)

These 32-bit registers are used to set DMA transfer mode, bit rate, etc.

### 2.3.2 DMA Terminal Count Registers (DCT0, DCT1, DCT2, and DCT3)

These 24-bit registers are used to set the number of DMA transfers.

### 2.3.3 DMA Terminal Count Reload Registers (DCR0, DCR1, DCR2, and DCR3)

These 24-bit registers are used to set the reloaded values for DMA terminal count registers.

### 2.3.4 DMA Source Address Registers (DSA0, DSA1, DSA2, and DSA3)

These 32-bit registers are used to set DMA source addresses.

### 2.3.5 DMA Source Address Reload Registers (DSR0, DSR1, DSR2, and DSR3)

These 32-bit registers are used to set the reloaded values for DMA source address registers.

### 2.3.6 DMA Destination Address Registers (DDA0, DDA1, DDA2, and DDA3)

These 32-bit registers are used to set DMA destination addresses.

### 2.3.7 DMA Destination Address Reload Registers (DDR0, DDR1, DDR2, and DDR3)

These 32-bit registers are used to set reloaded values for DMA destination address registers.

### 3. Memory

Figure 3.1 shows the memory map of the R32C/117A Group.

The R32C/117A Group provides a 4-Gbyte address space from 00000000h to FFFFFFFFh.

The internal ROM is mapped from address FFFFFFFFh in the inferior direction. For example, the 1-Mbyte internal ROM is mapped from FFF00000h to FFFFFFFFh.

The fixed interrupt vector table contains the start address of interrupt handlers and is mapped from FFFFFFFDCh to FFFFFFFFh.

The internal RAM is mapped from address 00000400h in the superior direction. For example, the 96-Kbyte internal RAM is mapped from 00000400h to 000183FFh. Besides being used for data storage, the internal RAM functions as a stack(s) for subroutine calls and/or interrupt handlers.

Special function registers (SFRs), which are control registers for peripheral functions, are mapped from 00000000h to 000003FFh, and from 00040000h to 0004FFFFh. Unoccupied SFR locations are reserved, and no access is allowed.

In memory expansion mode or microprocessor mode, some spaces are reserved for internal use and should not be accessed.

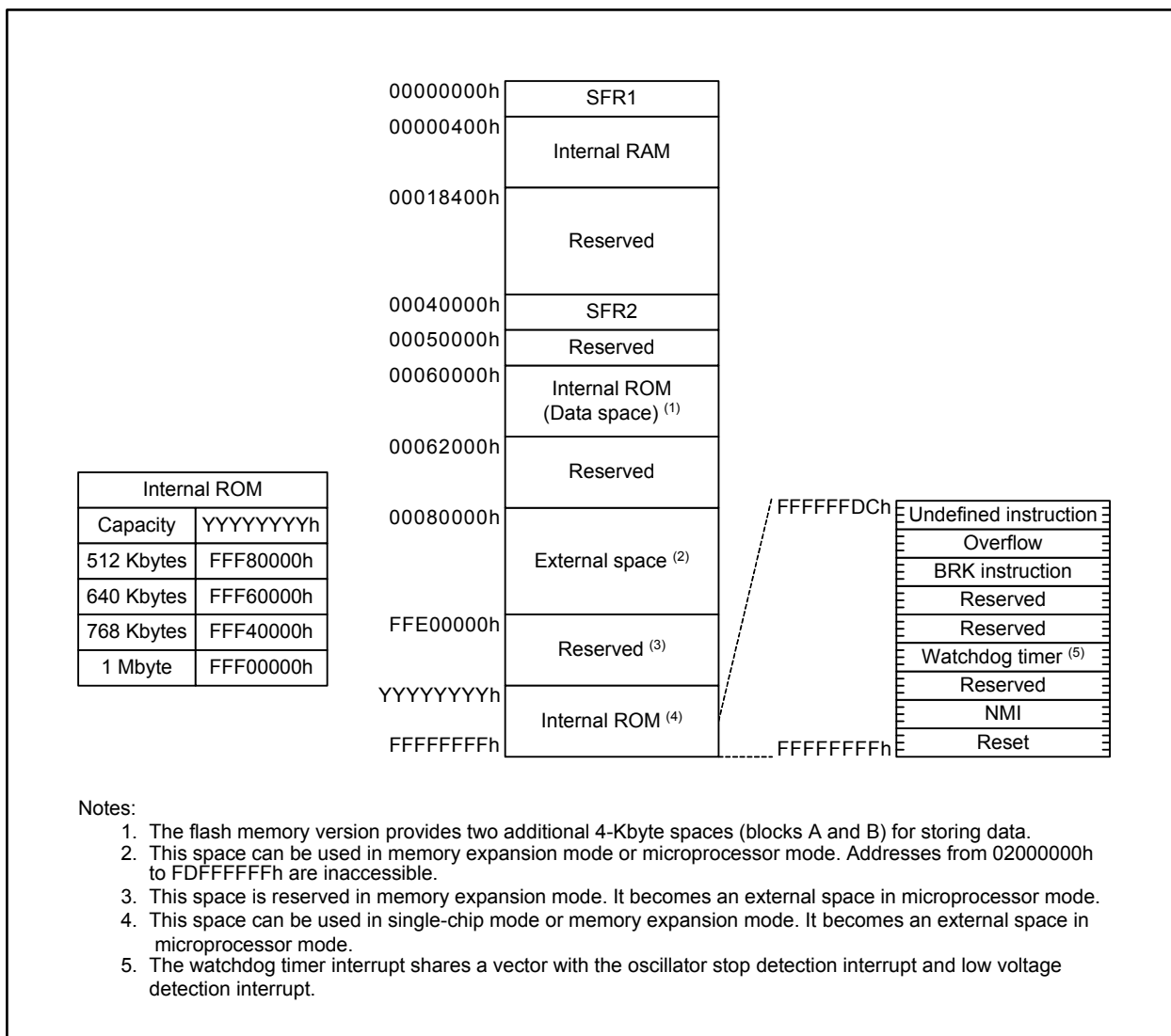


Figure 3.1 Memory Map

## 4. Special Function Registers (SFRs)

SFRs are memory-mapped peripheral registers that control the operation of peripherals. Tables 4.1 SFR List (1) to 4.41 SFR List (41) list the SFR details.

**Table 4.1 SFR List (1)**

Address	Register	Symbol	Reset Value
000000h			
000001h			
000002h			
000003h			
000004h	Clock Control Register	CCR	0001 1000b
000005h			
000006h	Flash Memory Control Register	FMCR	0000 0001b
000007h	Protect Release Register	PRR	00h
000008h	Flash Memory Rewrite Bus Control Register	FEBC	0000h
000009h			
00000Ah			
00000Bh			
00000Ch			
00000Dh			
00000Eh			
00000Fh			
000010h	External Bus Control Register 3	EBC3	0000h
000011h			
000012h	Chip Selects 2 and 3 Boundary Setting Register	CB23	00h
000013h			
000014h	External Bus Control Register 2	EBC2	0000h
000015h			
000016h	Chip Selects 1 and 2 Boundary Setting Register	CB12	00h
000017h			
000018h	External Bus Control Register 1	EBC1	0000h
000019h			
00001Ah	Chip Selects 0 and 1 Boundary Setting Register	CB01	00h
00001Bh			
00001Ch	External Bus Control Register 0	EBC0	0000h
00001Dh			
00001Eh	Peripheral Bus Control Register	PBC	0504h
00001Fh			
000020h to 00005Fh			

X: Undefined

Blanks are reserved. No access is allowed.

**Table 4.2 SFR List (2)**

Address	Register	Symbol	Reset Value
000060h			
000061h	Timer B5 Interrupt Control Register	TB5IC	XXXX X000b
000062h	UART5 Transmit/NACK Interrupt Control Register	S5TIC	XXXX X000b
000063h	UART2 Receive/ACK Interrupt Control Register/I <sup>2</sup> C-bus Line Interrupt Control Register	S2RIC/I2CLIC	XXXX X000b
000064h	UART6 Transmit/NACK Interrupt Control Register	S6TIC	XXXX X000b
000065h	UART3 Receive/ACK Interrupt Control Register	S3RIC	XXXX X000b
000066h	UART5/6 Bus Collision, START Condition/STOP Condition Detection Interrupt Control Register	BCN5IC/BCN6IC	XXXX X000b
000067h	UART4 Receive/ACK Interrupt Control Register	S4RIC	XXXX X000b
000068h	DMA0 Transfer Complete Interrupt Control Register	DM0IC	XXXX X000b
000069h	UART0/3 Bus Collision, START Condition/STOP Condition Detection Interrupt Control Register	BCN0IC/BCN3IC	XXXX X000b
00006Ah	DMA2 Transfer Complete Interrupt Control Register	DM2IC	XXXX X000b
00006Bh	A/D Converter 0 Convert Completion Interrupt Control Register	AD0IC	XXXX X000b
00006Ch	Timer A0 Interrupt Control Register	TA0IC	XXXX X000b
00006Dh	Intelligent I/O Interrupt Control Register 0	IIO0IC	XXXX X000b
00006Eh	Timer A2 Interrupt Control Register	TA2IC	XXXX X000b
00006Fh	Intelligent I/O Interrupt Control Register 2	IIO2IC	XXXX X000b
000070h	Timer A4 Interrupt Control Register	TA4IC	XXXX X000b
000071h	Intelligent I/O Interrupt Control Register 4	IIO4IC	XXXX X000b
000072h	UART0 Receive/ACK Interrupt Control Register	S0RIC	XXXX X000b
000073h	Intelligent I/O Interrupt Control Register 6	IIO6IC	XXXX X000b
000074h	UART1 Receive/ACK Interrupt Control Register	S1RIC	XXXX X000b
000075h	Intelligent I/O Interrupt Control Register 8	IIO8IC	XXXX X000b
000076h	Timer B1 Interrupt Control Register	TB1IC	XXXX X000b
000077h	Intelligent I/O Interrupt Control Register 10	IIO10IC	XXXX X000b
000078h	Timer B3 Interrupt Control Register	TB3IC	XXXX X000b
000079h			
00007Ah	INT5 Interrupt Control Register	INT5IC	XX00 X000b
00007Bh	CAN0 Wake-up Interrupt Control Register	C0WIC	XXXX X000b
00007Ch	INT3 Interrupt Control Register	INT3IC	XX00 X000b
00007Dh			
00007Eh	INT1 Interrupt Control Register	INT1IC	XX00 X000b
00007Fh			
000080h			
000081h	UART2 Transmit/NACK Interrupt Control Register/I <sup>2</sup> C-bus Interrupt Control Register	S2TIC/I2CIC	XXXX X000b
000082h	UART5 Receive/ACK Interrupt Control Register	S5RIC	XXXX X000b
000083h	UART3 Transmit/NACK Interrupt Control Register	S3TIC	XXXX X000b
000084h	UART6 Receive/ACK Interrupt Control Register	S6RIC	XXXX X000b
000085h	UART4 Transmit/NACK Interrupt Control Register	S4TIC	XXXX X000b
000086h			
000087h	UART2 Bus Collision, START Condition/STOP Condition Detection Interrupt Control Register	BCN2IC	XXXX X000b

X: Undefined

Blanks are reserved. No access is allowed.

**Table 4.3 SFR List (3)**

Address	Register	Symbol	Reset Value
000088h	DMA1 Transfer Complete Interrupt Control Register	DM1IC	XXXX X000b
000089h	UART1/4 Bus Collision, START Condition/STOP Condition Detection Interrupt Control Register	BCN1IC/BCN4IC	XXXX X000b
00008Ah	DMA3 Transfer Complete Interrupt Control Register	DM3IC	XXXX X000b
00008Bh	Key Input Interrupt Control Register	KUPIC	XXXX X000b
00008Ch	Timer A1 Interrupt Control Register	TA1IC	XXXX X000b
00008Dh	Intelligent I/O Interrupt Control Register 1	IIO1IC	XXXX X000b
00008Eh	Timer A3 Interrupt Control Register	TA3IC	XXXX X000b
00008Fh	Intelligent I/O Interrupt Control Register 3	IIO3IC	XXXX X000b
000090h	UART0 Transmit/NACK Interrupt Control Register	S0TIC	XXXX X000b
000091h	Intelligent I/O Interrupt Control Register 5	IIO5IC	XXXX X000b
000092h	UART1 Transmit/NACK Interrupt Control Register	S1TIC	XXXX X000b
000093h	Intelligent I/O Interrupt Control Register 7	IIO7IC	XXXX X000b
000094h	Timer B0 Interrupt Control Register	TB0IC	XXXX X000b
000095h	Intelligent I/O Interrupt Control Register 9	IIO9IC	XXXX X000b
000096h	Timer B2 Interrupt Control Register	TB2IC	XXXX X000b
000097h	Intelligent I/O Interrupt Control Register 11	IIO11IC	XXXX X000b
000098h	Timer B4 Interrupt Control Register	TB4IC	XXXX X000b
000099h			
00009Ah	INT4 Interrupt Control Register	INT4IC	XX00 X000b
00009Bh			
00009Ch	INT2 Interrupt Control Register	INT2IC	XX00 X000b
00009Dh			
00009Eh	INT0 Interrupt Control Register	INT0IC	XX00 X000b
00009Fh			
0000A0h	Intelligent I/O Interrupt Request Register 0	IIO0IR	0000 0XX1b
0000A1h	Intelligent I/O Interrupt Request Register 1	IIO1IR	0000 0XX1b
0000A2h	Intelligent I/O Interrupt Request Register 2	IIO2IR	0000 0X01b
0000A3h	Intelligent I/O Interrupt Request Register 3	IIO3IR	0000 XXX1b
0000A4h	Intelligent I/O Interrupt Request Register 4	IIO4IR	000X 0XX1b
0000A5h	Intelligent I/O Interrupt Request Register 5	IIO5IR	000X 0XX1b
0000A6h	Intelligent I/O Interrupt Request Register 6	IIO6IR	000X 0XX1b
0000A7h	Intelligent I/O Interrupt Request Register 7	IIO7IR	X00X 0XX1b
0000A8h	Intelligent I/O Interrupt Request Register 8	IIO8IR	XX0X 0XX1b
0000A9h	Intelligent I/O Interrupt Request Register 9	IIO9IR	0X00 0XX1b
0000AAh	Intelligent I/O Interrupt Request Register 10	IIO10IR	0X00 0XX1b
0000ABh	Intelligent I/O Interrupt Request Register 11	IIO11IR	0X00 0XX1b
0000ACh			
0000ADh			
0000AEh			
0000AFh			

X: Undefined

Blanks are reserved. No access is allowed.



**Table 4.4 SFR List (4)**

Address	Register	Symbol	Reset Value
0000B0h	Intelligent I/O Interrupt Enable Register 0	IIO0IE	00h
0000B1h	Intelligent I/O Interrupt Enable Register 1	IIO1IE	00h
0000B2h	Intelligent I/O Interrupt Enable Register 2	IIO2IE	00h
0000B3h	Intelligent I/O Interrupt Enable Register 3	IIO3IE	00h
0000B4h	Intelligent I/O Interrupt Enable Register 4	IIO4IE	00h
0000B5h	Intelligent I/O Interrupt Enable Register 5	IIO5IE	00h
0000B6h	Intelligent I/O Interrupt Enable Register 6	IIO6IE	00h
0000B7h	Intelligent I/O Interrupt Enable Register 7	IIO7IE	00h
0000B8h	Intelligent I/O Interrupt Enable Register 8	IIO8IE	00h
0000B9h	Intelligent I/O Interrupt Enable Register 9	IIO9IE	00h
0000BAh	Intelligent I/O Interrupt Enable Register 10	IIO10IE	00h
0000BBh	Intelligent I/O Interrupt Enable Register 11	IIO11IE	00h
0000BCh			
0000BDh			
0000BEh			
0000BFh			
0000C0h			
0000C1h	CAN0 Transmit Interrupt Control Register	C0TIC	XXXX X000b
0000C2h			
0000C3h	CAN0 Error Interrupt Control Register	C0EIC	XXXX X000b
0000C4h			
0000C5h			
0000C6h			
0000C7h			
0000C8h			
0000C9h			
0000CAh			
0000CBh			
0000CCh			
0000CDh			
0000CEh			
0000CFh			
0000D0h	CAN0 Transmit FIFO Interrupt Control Register	C0FTIC	XXXX X000b
0000D1h			
0000D2h			
0000D3h			
0000D4h			
0000D5h			
0000D6h			
0000D7h			
0000D8h			
0000D9h	UART9 Transmit Interrupt Control Register	S9TIC	XXXX X000b
0000DAh			
0000DBh	UART10 Transmit Interrupt Control Register	S10TIC	XXXX X000b
0000DCh			
0000DDh	UART7 Transmit Interrupt Control Register	S7TIC	XXXX X000b
0000DEh	INT7 Interrupt Control Register	INT7IC	XX00 X000b
0000DFh	UART8 Transmit Interrupt Control Register	S8TIC	XXXX X000b

X: Undefined

Blanks are reserved. No access is allowed.

**Table 4.5 SFR List (5)**

Address	Register	Symbol	Reset Value
0000E0h			
0000E1h	CAN0 Receive Interrupt Control Register	C0RIC	XXXX X000b
0000E2h			
0000E3h			
0000E4h			
0000E5h			
0000E6h			
0000E7h			
0000E8h			
0000E9h			
0000EAh			
0000EBh			
0000ECh			
0000EDh			
0000EEh			
0000EFh			
0000F0h	CAN0 Receive FIFO Interrupt Control Register	C0FRIC	XXXX X000b
0000F1h			
0000F2h			
0000F3h			
0000F4h			
0000F5h			
0000F6h			
0000F7h			
0000F8h			
0000F9h	UART9 Receive Interrupt Control Register	S9RIC	XXXX X000b
000FAh			
000FBh	UART10 Receive Interrupt Control Register	S10RIC	XXXX X000b
000FCh	INT8 Interrupt Control Register	INT8IC	XX00 X000b
000FDh	UART7 Receive Interrupt Control Register	S7RIC	XXXX X000b
000FEh	INT6 Interrupt Control Register	INT6IC	XX00 X000b
000FFh	UART8 Receive Interrupt Control Register	S8RIC	XXXX X000b
000100h	Group 1 Time Measurement/Waveform Generation Register 0	G1TM0/G1PO0	XXXXh
000101h			
000102h	Group 1 Time Measurement/Waveform Generation Register 1	G1TM1/G1PO1	XXXXh
000103h			
000104h	Group 1 Time Measurement/Waveform Generation Register 2	G1TM2/G1PO2	XXXXh
000105h			
000106h	Group 1 Time Measurement/Waveform Generation Register 3	G1TM3/G1PO3	XXXXh
000107h			

X: Undefined

Blanks are reserved. No access is allowed.

**Table 4.6 SFR List (6)**

Address	Register	Symbol	Reset Value
000108h	Group 1 Time Measurement/Waveform Generation Register 4	G1TM4/G1PO4	XXXXh
000109h			
00010Ah	Group 1 Time Measurement/Waveform Generation Register 5	G1TM5/G1PO5	XXXXh
00010Bh			
00010Ch	Group 1 Time Measurement/Waveform Generation Register 6	G1TM6/G1PO6	XXXXh
00010Dh			
00010Eh	Group 1 Time Measurement/Waveform Generation Register 7	G1TM7/G1PO7	XXXXh
00010Fh			
000110h	Group 1 Waveform Generation Control Register 0	G1POCR0	0000 X000b
000111h	Group 1 Waveform Generation Control Register 1	G1POCR1	0X00 X000b
000112h	Group 1 Waveform Generation Control Register 2	G1POCR2	0X00 X000b
000113h	Group 1 Waveform Generation Control Register 3	G1POCR3	0X00 X000b
000114h	Group 1 Waveform Generation Control Register 4	G1POCR4	0X00 X000b
000115h	Group 1 Waveform Generation Control Register 5	G1POCR5	0X00 X000b
000116h	Group 1 Waveform Generation Control Register 6	G1POCR6	0X00 X000b
000117h	Group 1 Waveform Generation Control Register 7	G1POCR7	0X00 X000b
000118h	Group 1 Time Measurement Control Register 0	G1TMCR0	00h
000119h	Group 1 Time Measurement Control Register 1	G1TMCR1	00h
00011Ah	Group 1 Time Measurement Control Register 2	G1TMCR2	00h
00011Bh	Group 1 Time Measurement Control Register 3	G1TMCR3	00h
00011Ch	Group 1 Time Measurement Control Register 4	G1TMCR4	00h
00011Dh	Group 1 Time Measurement Control Register 5	G1TMCR5	00h
00011Eh	Group 1 Time Measurement Control Register 6	G1TMCR6	00h
00011Fh	Group 1 Time Measurement Control Register 7	G1TMCR7	00h
000120h	Group 1 Base Timer Register	G1BT	XXXXh
000121h			
000122h	Group 1 Base Timer Control Register 0	G1BCR0	0000 0000b
000123h	Group 1 Base Timer Control Register 1	G1BCR1	0000 0000b
000124h	Group 1 Time Measurement Prescaler Register 6	G1TPR6	00h
000125h	Group 1 Time Measurement Prescaler Register 7	G1TPR7	00h
000126h	Group 1 Function Enable Register	G1FE	00h
000127h	Group 1 Function Select Register	G1FS	00h
000128h			
000129h			
00012Ah			
00012Bh			
00012Ch			
00012Dh			
00012Eh			
00012Fh			
000130h to 00013Fh			

X: Undefined

Blanks are reserved. No access is allowed.

**Table 4.7 SFR List (7)**

Address	Register	Symbol	Reset Value
000140h	Group 2 Waveform Generation Register 0	G2PO0	XXXXh
000141h			
000142h	Group 2 Waveform Generation Register 1	G2PO1	XXXXh
000143h			
000144h	Group 2 Waveform Generation Register 2	G2PO2	XXXXh
000145h			
000146h	Group 2 Waveform Generation Register 3	G2PO3	XXXXh
000147h			
000148h	Group 2 Waveform Generation Register 4	G2PO4	XXXXh
000149h			
00014Ah	Group 2 Waveform Generation Register 5	G2PO5	XXXXh
00014Bh			
00014Ch	Group 2 Waveform Generation Register 6	G2PO6	XXXXh
00014Dh			
00014Eh	Group 2 Waveform Generation Register 7	G2PO7	XXXXh
00014Fh			
000150h	Group 2 Waveform Generation Control Register 0	G2POCR0	0000 0000b
000151h	Group 2 Waveform Generation Control Register 1	G2POCR1	0000 0000b
000152h	Group 2 Waveform Generation Control Register 2	G2POCR2	0000 0000b
000153h	Group 2 Waveform Generation Control Register 3	G2POCR3	0000 0000b
000154h	Group 2 Waveform Generation Control Register 4	G2POCR4	0000 0000b
000155h	Group 2 Waveform Generation Control Register 5	G2POCR5	0000 0000b
000156h	Group 2 Waveform Generation Control Register 6	G2POCR6	0000 0000b
000157h	Group 2 Waveform Generation Control Register 7	G2POCR7	0000 0000b
000158h			
000159h			
00015Ah			
00015Bh			
00015Ch			
00015Dh			
00015Eh			
00015Fh			
000160h	Group 2 Base Timer Register	G2BT	XXXXh
000161h			
000162h	Group 2 Base Timer Control Register 0	G2BCR0	0000 0000b
000163h	Group 2 Base Timer Control Register 1	G2BCR1	0000 0000b
000164h	Base Timer Start Register	BTSR	XXXX 0000b
000165h			
000166h	Group 2 Function Enable Register	G2FE	00h
000167h	Group 2 RTP Output Buffer Register	G2RTP	00h
000168h			
000169h			
00016Ah	Group 2 Serial Interface Mode Register	G2MR	00XX X000b
00016Bh	Group 2 Serial Interface Control Register	G2CR	0000 X110b
00016Ch	Group 2 SI/O Transmit Buffer Register	G2TB	XXXXh
00016Dh			
00016Eh	Group 2 SI/O Receive Buffer Register	G2RB	XXXXh
00016Fh			

X: Undefined

Blanks are reserved. No access is allowed.

**Table 4.8 SFR List (8)**

Address	Register	Symbol	Reset Value
000170h	Group 2 IEBus Address Register	IEAR	XXXXh
000171h			
000172h	Group 2 IEBus Control Register	IECR	00XX X000b
000173h	Group 2 IEBus Transmit Interrupt Source Detect Register	IETIF	XXX0 0000b
000174h	Group 2 IEBus Receive Interrupt Source Detect Register	IERIF	XXX0 0000b
000175h			
000176h			
000177h			
000178h			
000179h			
00017Ah			
00017Bh			
00017Ch			
00017Dh			
00017Eh			
00017Fh			
000180h	Group 0 Time Measurement/Waveform Generation Register 0	G0TM0/G0PO0	XXXXh
000181h			
000182h	Group 0 Time Measurement/Waveform Generation Register 1	G0TM1/G0PO1	XXXXh
000183h			
000184h	Group 0 Time Measurement/Waveform Generation Register 2	G0TM2/G0PO2	XXXXh
000185h			
000186h	Group 0 Time Measurement/Waveform Generation Register 3	G0TM3/G0PO3	XXXXh
000187h			
000188h	Group 0 Time Measurement/Waveform Generation Register 4	G0TM4/G0PO4	XXXXh
000189h			
00018Ah	Group 0 Time Measurement/Waveform Generation Register 5	G0TM5/G0PO5	XXXXh
00018Bh			
00018Ch	Group 0 Time Measurement/Waveform Generation Register 6	G0TM6/G0PO6	XXXXh
00018Dh			
00018Eh	Group 0 Time Measurement/Waveform Generation Register 7	G0TM7/G0PO7	XXXXh
00018Fh			
000190h	Group 0 Waveform Generation Control Register 0	G0POCR0	0000 X000b
000191h	Group 0 Waveform Generation Control Register 1	G0POCR1	0X00 X000b
000192h	Group 0 Waveform Generation Control Register 2	G0POCR2	0X00 X000b
000193h	Group 0 Waveform Generation Control Register 3	G0POCR3	0X00 X000b
000194h	Group 0 Waveform Generation Control Register 4	G0POCR4	0X00 X000b
000195h	Group 0 Waveform Generation Control Register 5	G0POCR5	0X00 X000b
000196h	Group 0 Waveform Generation Control Register 6	G0POCR6	0X00 X000b
000197h	Group 0 Waveform Generation Control Register 7	G0POCR7	0X00 X000b
000198h	Group 0 Time Measurement Control Register 0	G0TMCR0	00h
000199h	Group 0 Time Measurement Control Register 1	G0TMCR1	00h
00019Ah	Group 0 Time Measurement Control Register 2	G0TMCR2	00h
00019Bh	Group 0 Time Measurement Control Register 3	G0TMCR3	00h
00019Ch	Group 0 Time Measurement Control Register 4	G0TMCR4	00h
00019Dh	Group 0 Time Measurement Control Register 5	G0TMCR5	00h
00019Eh	Group 0 Time Measurement Control Register 6	G0TMCR6	00h
00019Fh	Group 0 Time Measurement Control Register 7	G0TMCR7	00h

X: Undefined

Blanks are reserved. No access is allowed.

**Table 4.9 SFR List (9)**

Address	Register	Symbol	Reset Value
0001A0h	Group 0 Base Timer Register	G0BT	XXXXh
0001A1h			
0001A2h	Group 0 Base Timer Control Register 0	G0BCR0	0000 0000b
0001A3h	Group 0 Base Timer Control Register 1	G0BCR1	0000 0000b
0001A4h	Group 0 Time Measurement Prescaler Register 6	G0TPR6	00h
0001A5h	Group 0 Time Measurement Prescaler Register 7	G0TPR7	00h
0001A6h	Group 0 Function Enable Register	G0FE	00h
0001A7h	Group 0 Function Select Register	G0FS	00h
0001A8h			
0001A9h			
0001AAh			
0001ABh			
0001ACh			
0001ADh			
0001AEh			
0001AFh			
0001B0h			
0001B1h			
0001B2h			
0001B3h			
0001B4h			
0001B5h			
0001B6h			
0001B7h			
0001B8h			
0001B9h			
0001BAh			
0001BBh			
0001BCh			
0001BDh			
0001BEh			
0001BFh			
0001C0h			
0001C1h			
0001C2h			
0001C3h			
0001C4h	UART5 Special Mode Register 4	U5SMR4	00h
0001C5h	UART5 Special Mode Register 3	U5SMR3	00h
0001C6h	UART5 Special Mode Register 2	U5SMR2	00h
0001C7h	UART5 Special Mode Register	U5SMR	00h
0001C8h	UART5 Transmit/Receive Mode Register	U5MR	00h
0001C9h	UART5 Bit Rate Register	U5BRG	XXh
0001CAh	UART5 Transmit Buffer Register	U5TB	XXXXh
0001CBh			
0001CCh	UART5 Transmit/Receive Control Register 0	U5C0	0000 1000b
0001CDh	UART5 Transmit/Receive Control Register 1	U5C1	0000 0010b
0001CEh	UART5 Receive Buffer Register	U5RB	XXXXh
0001CFh			

X: Undefined

Blanks are reserved. No access is allowed.

**Table 4.10 SFR List (10)**

Address	Register	Symbol	Reset Value
0001D0h			
0001D1h			
0001D2h			
0001D3h			
0001D4h	UART6 Special Mode Register 4	U6SMR4	00h
0001D5h	UART6 Special Mode Register 3	U6SMR3	00h
0001D6h	UART6 Special Mode Register 2	U6SMR2	00h
0001D7h	UART6 Special Mode Register	U6SMR	00h
0001D8h	UART6 Transmit/Receive Mode Register	U6MR	00h
0001D9h	UART6 Bit Rate Register	U6BRG	XXh
0001DAh	UART6 Transmit Buffer Register	U6TB	XXXXh
0001DBh			
0001DCh	UART6 Transmit/Receive Control Register 0	U6C0	0000 1000b
0001DDh	UART6 Transmit/Receive Control Register 1	U6C1	0000 0010b
0001DEh	UART6 Receive Buffer Register	U6RB	XXXXh
0001DFh			
0001E0h	UART7 Transmit/Receive Mode Register	U7MR	00h
0001E1h	UART7 Bit Rate Register	U7BRG	XXh
0001E2h	UART7 Transmit Buffer Register	U7TB	XXXXh
0001E3h			
0001E4h	UART7 Transmit/Receive Control Register 0	U7C0	00X0 1000b
0001E5h	UART7 Transmit/Receive Control Register 1	U7C1	XXXX 0010b
0001E6h	UART7 Receive Buffer Register	U7RB	XXXXh
0001E7h			
0001E8h	UART8 Transmit/Receive Mode Register	U8MR	00h
0001E9h	UART8 Bit Rate Register	U8BRG	XXh
0001EAh	UART8 Transmit Buffer Register	U8TB	XXXXh
0001EBh			
0001ECh	UART8 Transmit/Receive Control Register 0	U8C0	00X0 1000b
0001EDh	UART8 Transmit/Receive Control Register 1	U8C1	XXXX 0010b
0001EEh	UART8 Receive Buffer Register	U8RB	XXXXh
0001EFh			
0001F0h	UART7, UART8 Transmit/Receive Control Register 2	U78CON	X000 0000b
0001F1h			
0001F2h			
0001F3h			
0001F4h			
0001F5h			
0001F6h			
0001F7h			
0001F8h			
0001F9h			
0001FAh			
0001FBh			
0001FCh			
0001FDh			
0001FEh			
0001FFh			

X: Undefined

Blanks are reserved. No access is allowed.

**Table 4.11 SFR List (11)**

Address	Register	Symbol	Reset Value
000200h to 0002BFh			
0002C0h 0002C1h	X0 Register/Y0 Register	X0R/Y0R	XXXXh
0002C2h 0002C3h	X1 Register/Y1 Register	X1R/Y1R	XXXXh
0002C4h 0002C5h	X2 Register/Y2 Register	X2R/Y2R	XXXXh
0002C6h 0002C7h	X3 Register/Y3 Register	X3R/Y3R	XXXXh
0002C8h 0002C9h	X4 Register/Y4 Register	X4R/Y4R	XXXXh
0002CAh 0002CBh	X5 Register/Y5 Register	X5R/Y5R	XXXXh
0002CCh 0002CDh	X6 Register/Y6 Register	X6R/Y6R	XXXXh
0002CEh 0002CFh	X7 Register/Y7 Register	X7R/Y7R	XXXXh
0002D0h 0002D1h	X8 Register/Y8 Register	X8R/Y8R	XXXXh
0002D2h 0002D3h	X9 Register/Y9 Register	X9R/Y9R	XXXXh
0002D4h 0002D5h	X10 Register/Y10 Register	X10R/Y10R	XXXXh
0002D6h 0002D7h	X11 Register/Y11 Register	X11R/Y11R	XXXXh
0002D8h 0002D9h	X12 Register/Y12 Register	X12R/Y12R	XXXXh
0002DAh 0002DBh	X13 Register/Y13 Register	X13R/Y13R	XXXXh
0002DCh 0002DDh	X14 Register/Y14 Register	X14R/Y14R	XXXXh
0002DEh 0002DFh	X15 Register/Y15 Register	X15R/Y15R	XXXXh
0002E0h 0002E1h	X-Y Control Register	XYC	XXXX XX00b
0002E2h 0002E3h			
0002E4h	UART1 Special Mode Register 4	U1SMR4	00h
0002E5h	UART1 Special Mode Register 3	U1SMR3	00h
0002E6h	UART1 Special Mode Register 2	U1SMR2	00h
0002E7h	UART1 Special Mode Register	U1SMR	00h
0002E8h	UART1 Transmit/Receive Mode Register	U1MR	00h
0002E9h	UART1 Bit Rate Register	U1BRG	XXh
0002EAh 0002EBh	UART1 Transmit Buffer Register	U1TB	XXXXh
0002ECh	UART1 Transmit/Receive Control Register 0	U1C0	0000 1000b
0002EDh	UART1 Transmit/Receive Control Register 1	U1C1	0000 0010b
0002EEh 0002EFh	UART1 Receive Buffer Register	U1RB	XXXXh

X: Undefined

Blanks are reserved. No access is allowed.



**Table 4.12 SFR List (12)**

Address	Register	Symbol	Reset Value
0002F0h			
0002F1h			
0002F2h			
0002F3h			
0002F4h	UART4 Special Mode Register 4	U4SMR4	00h
0002F5h	UART4 Special Mode Register 3	U4SMR3	00h
0002F6h	UART4 Special Mode Register 2	U4SMR2	00h
0002F7h	UART4 Special Mode Register	U4SMR	00h
0002F8h	UART4 Transmit/Receive Mode Register	U4MR	00h
0002F9h	UART4 Bit Rate Register	U4BRG	XXh
0002FAh	UART4 Transmit Buffer Register	U4TB	XXXXh
0002FBh			
0002FCh	UART4 Transmit/Receive Control Register 0	U4C0	0000 1000b
0002FDh	UART4 Transmit/Receive Control Register 1	U4C1	0000 0010b
0002FEh	UART4 Receive Buffer Register	U4RB	XXXXh
0002FFh			
000300h	Count Start Register for Timers B3, B4, and B5	TBSR	000X XXXXb
000301h			
000302h	Timer A1-1 Register	TA11	XXXXh
000303h			
000304h	Timer A2-1 Register	TA21	XXXXh
000305h			
000306h	Timer A4-1 Register	TA41	XXXXh
000307h			
000308h	Three-phase PWM Control Register 0	INVC0	00h
000309h	Three-phase PWM Control Register 1	INVC1	00h
00030Ah	Three-phase Output Buffer Register 0	IDB0	XX11 1111b
00030Bh	Three-phase Output Buffer Register 1	IDB1	XX11 1111b
00030Ch	Dead Time Timer	DTT	XXh
00030Dh	Timer B2 Interrupt Generating Frequency Set Counter	ICTB2	XXh
00030Eh			
00030Fh			
000310h	Timer B3 Register	TB3	XXXXh
000311h			
000312h	Timer B4 Register	TB4	XXXXh
000313h			
000314h	Timer B5 Register	TB5	XXXXh
000315h			
000316h			
000317h			
000318h			
000319h			
00031Ah			
00031Bh	Timer B3 Mode Register	TB3MR	00XX 0000b
00031Ch	Timer B4 Mode Register	TB4MR	00XX 0000b
00031Dh	Timer B5 Mode Register	TB5MR	00XX 0000b
00031Eh			
00031Fh			

X: Undefined

Blanks are reserved. No access is allowed.

**Table 4.13 SFR List (13)**

Address	Register	Symbol	Reset Value
000320h			
000321h			
000322h			
000323h			
000324h	UART3 Special Mode Register 4	U3SMR4	00h
000325h	UART3 Special Mode Register 3	U3SMR3	00h
000326h	UART3 Special Mode Register 2	U3SMR2	00h
000327h	UART3 Special Mode Register	U3SMR	00h
000328h	UART3 Transmit/Receive Mode Register	U3MR	00h
000329h	UART3 Bit Rate Register	U3BRG	XXh
00032Ah	UART3 Transmit Buffer Register	U3TB	XXXXh
00032Bh			
00032Ch	UART3 Transmit/Receive Control Register 0	U3C0	0000 1000b
00032Dh	UART3 Transmit/Receive Control Register 1	U3C1	0000 0010b
00032Eh	UART3 Receive Buffer Register	U3RB	XXXXh
00032Fh			
000330h			
000331h			
000332h			
000333h			
000334h	UART2 Special Mode Register 4	U2SMR4	00h
000335h	UART2 Special Mode Register 3	U2SMR3	00h
000336h	UART2 Special Mode Register 2	U2SMR2	00h
000337h	UART2 Special Mode Register	U2SMR	00h
000338h	UART2 Transmit/Receive Mode Register	U2MR	00h
000339h	UART2 Bit Rate Register	U2BRG	XXh
00033Ah	UART2 Transmit Buffer Register	U2TB	XXXXh
00033Bh			
00033Ch	UART2 Transmit/Receive Control Register 0	U2C0	0000 1000b
00033Dh	UART2 Transmit/Receive Control Register 1	U2C1	0000 0010b
00033Eh	UART2 Receive Buffer Register	U2RB	XXXXh
00033Fh			
000340h	Count Start Register	TABSR	0000 0000b
000341h	Clock Prescaler Reset Register	CPSRF	0XXX XXXXb
000342h	One-shot Start Register	ONSF	0000 0000b
000343h	Trigger Select Register	TRGSR	0000 0000b
000344h	Increment/Decrement Select Register	UDF	0000 0000b
000345h			
000346h	Timer A0 Register	TA0	XXXXh
000347h			
000348h	Timer A1 Register	TA1	XXXXh
000349h			
00034Ah	Timer A2 Register	TA2	XXXXh
00034Bh			
00034Ch	Timer A3 Register	TA3	XXXXh
00034Dh			
00034Eh	Timer A4 Register	TA4	XXXXh
00034Fh			

X: Undefined

Blanks are reserved. No access is allowed.

**Table 4.14 SFR List (14)**

Address	Register	Symbol	Reset Value
000350h	Timer B0 Register	TB0	XXXXh
000351h			
000352h	Timer B1 Register	TB1	XXXXh
000353h			
000354h	Timer B2 Register	TB2	XXXXh
000355h			
000356h	Timer A0 Mode Register	TA0MR	0000 0000b
000357h	Timer A1 Mode Register	TA1MR	0000 0000b
000358h	Timer A2 Mode Register	TA2MR	0000 0000b
000359h	Timer A3 Mode Register	TA3MR	0000 0000b
00035Ah	Timer A4 Mode Register	TA4MR	0000 0000b
00035Bh	Timer B0 Mode Register	TB0MR	00XX 0000b
00035Ch	Timer B1 Mode Register	TB1MR	00XX 0000b
00035Dh	Timer B2 Mode Register	TB2MR	00XX 0000b
00035Eh	Timer B2 Special Mode Register	TB2SC	XXXX XXX0b
00035Fh	Count Source Prescaler Register	TCSPR	0000 0000b
000360h			
000361h			
000362h			
000363h			
000364h	UART0 Special Mode Register 4	U0SMR4	00h
000365h	UART0 Special Mode Register 3	U0SMR3	00h
000366h	UART0 Special Mode Register 2	U0SMR2	00h
000367h	UART0 Special Mode Register	U0SMR	00h
000368h	UART0 Transmit/Receive Mode Register	U0MR	00h
000369h	UART0 Bit Rate Register	U0BRG	XXh
00036Ah	UART0 Transmit Buffer Register	U0TB	XXXXh
00036Bh			
00036Ch	UART0 Transmit/Receive Control Register 0	U0C0	0000 1000b
00036Dh	UART0 Transmit/Receive Control Register 1	U0C1	0000 0010b
00036Eh	UART0 Receive Buffer Register	U0RB	XXXXh
00036Fh			
000370h			
000371h			
000372h			
000373h			
000374h			
000375h			
000376h			
000377h			
000378h			
000379h			
00037Ah			
00037Bh			
00037Ch	CRC Data Register	CRCD	XXXXh
00037Dh			
00037Eh	CRC Input Register	CRCIN	XXh
00037Fh			

X: Undefined

Blanks are reserved. No access is allowed.

**Table 4.15 SFR List (15)**

Address	Register	Symbol	Reset Value
000380h	A/D0 Register 0	AD00	00XXh
000381h			
000382h	A/D0 Register 1	AD01	00XXh
000383h			
000384h	A/D0 Register 2	AD02	00XXh
000385h			
000386h	A/D0 Register 3	AD03	00XXh
000387h			
000388h	A/D0 Register 4	AD04	00XXh
000389h			
00038Ah	A/D0 Register 5	AD05	00XXh
00038Bh			
00038Ch	A/D0 Register 6	AD06	00XXh
00038Dh			
00038Eh	A/D0 Register 7	AD07	00XXh
00038Fh			
000390h			
000391h			
000392h	A/D0 Control Register 4	AD0CON4	XXXX 00XXb
000393h	A/D0 Control Register 5	AD0CON5	00h
000394h	A/D0 Control Register 2	AD0CON2	XX0X X000b
000395h	A/D0 Control Register 3	AD0CON3	XXXX X000b
000396h	A/D0 Control Register 0	AD0CON0	00h
000397h	A/D0 Control Register 1	AD0CON1	00h
000398h	D/A Register 0	DA0	XXh
000399h			
00039Ah	D/A Register 1	DA1	XXh
00039Bh			
00039Ch	D/A Control Register	DACON	XXXX XX00b
00039Dh			
00039Eh			
00039Fh			
0003A0h			
0003A1h			
0003A2h			
0003A3h			
0003A4h			
0003A5h			
0003A6h			
0003A7h			
0003A8h			
0003A9h			
0003AAh			
0003ABh			
0003ACh			
0003ADh			
0003AEh			
0003AFh			

X: Undefined

Blanks are reserved. No access is allowed.

**Table 4.16 SFR List (16)**

Address	Register	Symbol	Reset Value
0003B0h			
0003B1h			
0003B2h			
0003B3h			
0003B4h			
0003B5h			
0003B6h			
0003B7h			
0003B8h			
0003B9h			
0003BAh			
0003BBh			
0003BCh			
0003BDh			
0003BEh			
0003BFh			
0003C0h	Port P0 Register	P0	XXh
0003C1h	Port P1 Register	P1	XXh
0003C2h	Port P0 Direction Register	PD0	0000 0000b
0003C3h	Port P1 Direction Register	PD1	0000 0000b
0003C4h	Port P2 Register	P2	XXh
0003C5h	Port P3 Register	P3	XXh
0003C6h	Port P2 Direction Register	PD2	0000 0000b
0003C7h	Port P3 Direction Register	PD3	0000 0000b
0003C8h	Port P4 Register	P4	XXh
0003C9h	Port P5 Register	P5	XXh
0003CAh	Port P4 Direction Register	PD4	0000 0000b
0003CBh	Port P5 Direction Register	PD5	0000 0000b
0003CCh	Port P6 Register	P6	XXh
0003CDh	Port P7 Register	P7	XXh
0003CEh	Port P6 Direction Register	PD6	0000 0000b
0003CFh	Port P7 Direction Register	PD7	0000 0000b
0003D0h	Port P8 Register	P8	XXh
0003D1h	Port P9 Register	P9	XXh
0003D2h	Port P8 Direction Register	PD8	00X0 0000b
0003D3h	Port P9 Direction Register	PD9	0000 0000b
0003D4h	Port P10 Register	P10	XXh
0003D5h	Port P11 Register	P11	XXh
0003D6h	Port P10 Direction Register	PD10	0000 0000b
0003D7h	Port P11 Direction Register	PD11	0000 0000b
0003D8h	Port P12 Register	P12	XXh
0003D9h	Port P13 Register	P13	XXh
0003DAh	Port P12 Direction Register	PD12	0000 0000b
0003DBh	Port P13 Direction Register	PD13	0000 0000b
0003DCh	Port P14 Register	P14	XXh
0003DDh	Port P15 Register	P15	XXh
0003DEh	Port P14 Direction Register	PD14	0000 0000b
0003DFh	Port P15 Direction Register	PD15	0000 0000b

X: Undefined

Blanks are reserved. No access is allowed.

**Table 4.17 SFR List (17)**

Address	Register	Symbol	Reset Value
0003E0h	Port P16 Register	P16	XXh
0003E1h	Port P17 Register	P17	XXh
0003E2h	Port P16 Direction Register	PD16	0000 0000b
0003E3h	Port P17 Direction Register	PD17	0000 0000b
0003E4h	Port P18 Register	P18	XXh
0003E5h	Port P19 Register	P19	XXh
0003E6h	Port P18 Direction Register	PD18	0000 0000b
0003E7h	Port P19 Direction Register	PD19	0000 0000b
0003E8h			
0003E9h			
0003EAh			
0003EBh			
0003ECh			
0003EDh			
0003EEh			
0003EFh			
0003F0h	Pull-up Control Register 0	PUR0	0000 0000b
0003F1h	Pull-up Control Register 1	PUR1	XXXX X0XXb
0003F2h	Pull-up Control Register 2	PUR2	X00X XXXXb
0003F3h	Pull-up Control Register 3	PUR3	00XX 0000b
0003F4h	Pull-up Control Register 4	PUR4	0XXX 0000b
0003F5h	Pull-up Control Register 5	PUR5	XXXX 0000b
0003F6h			
0003F7h			
0003F8h			
0003F9h			
0003FAh			
0003FBh			
0003FCh			
0003FDh			
0003FEh			
0003FFh	Port Control Register	PCR	?0XX 0XX0b (1)

X: Undefined

Blanks are reserved. No access is allowed.

**Note:**

1. The bit 7 is 0 in the 144-pin package and 1 in the 176-pin package.

**Table 4.18 SFR List (18)**

Address	Register	Symbol	Reset Value
040000h	Flash Memory Control Register 0	FMR0	0001 XX00b
040001h	Flash Memory Status Register 0	FMSR0	1000 0000b
040002h			
040003h			
040004h			
040005h			
040006h			
040007h			
040008h	Flash Register Protection Unlock Register 0	FPR0	00h
040009h	Flash Memory Control Register 1	FMR1	0000 0010b
04000Ah	Block Protect Bit Monitor Register 0	FBPM0	??X? ???b (1)
04000Bh	Block Protect Bit Monitor Register 1	FBPM1	XXX? ???b (1)
04000Ch			
04000Dh			
04000Eh			
04000Fh			
040010h			
040011h	Block Protect Bit Monitor Register 2	FBPM2	???? ???b (1)
040012h			
040013h			
040014h			
040015h			
040016h			
040017h			
040018h			
040019h			
04001Ah			
04001Bh			
04001Ch			
04001Dh			
04001Eh			
04001Fh			
040020h	PLL Control Register 0	PLC0	0000 0001b
040021h	PLL Control Register 1	PLC1	0001 1111b
040022h			
040023h			
040024h			
040025h			
040026h			
040027h			
040028h			
040029h			
04002Ah			
04002Bh			
04002Ch			
04002Dh			
04002Eh			
04002Fh			

X: Undefined

Blanks are reserved. No access is allowed.

Note:

1. The reset value reflects the value of the protect bit for each block in the flash memory.

**Table 4.19 SFR List (19)**

Address	Register	Symbol	Reset Value
040030h to 04003Fh			
040040h			
040041h			
040042h			
040043h			
040044h	Processor Mode Register 0 <sup>(1)</sup>	PM0	1000 0000b (CNVSS pin = Low) 0000 0011b (CNVSS pin = High)
040045h			
040046h	System Clock Control Register 0	CM0	0000 1000b
040047h	System Clock Control Register 1	CM1	0010 0000b
040048h	Processor Mode Register 3	PM3	00h
040049h			
04004Ah	Protect Register	PRCR	XXXX X000b
04004Bh			
04004Ch	Protect Register 3	PRCR3	0000 0000b
04004Dh	Oscillator Stop Detection Register	CM2	00h
04004Eh			
04004Fh			
040050h			
040051h			
040052h			
040053h	Processor Mode Register 2	PM2	00h
040054h	Chip Select Output Pin Setting Register 0	CSOP0	1000 XXXXb
040055h	Chip Select Output Pin Setting Register 1	CSOP1	01X0 XXXXb
040056h	Chip Select Output Pin Setting Register 2	CSOP2	XXXX 0000b
040057h			
040058h			
040059h			
04005Ah	Low Speed Mode Clock Control Register	CM3	XXXX XX00b
04005Bh			
04005Ch			
04005Dh			
04005Eh			
04005Fh			
040060h	Voltage Regulator Control Register	VRCR	0000 0000b
040061h			
040062h	Low Voltage Detector Control Register	LVDC	0000 XX00b
040063h			
040064h	Detection Voltage Configuration Register	DVCR	0000 XXXXb
040065h			
040066h			
040067h			
040068h to 040093h			

X: Undefined

Blanks are reserved. No access is allowed.

Note:

1. The value in the PM0 register is retained even after a software reset or watchdog timer reset.



**Table 4.20 SFR List (20)**

Address	Register	Symbol	Reset Value
040094h			
040095h			
040096h			
040097h	Three-phase Output Buffer Control Register	IOBC	0XXX XXXXb
040098h	Input Function Select Register 0	IFS0	X000 0000b
040099h	Input Function Select Register 1	IFS1	XXXX X0X0b
04009Ah	Input Function Select Register 2	IFS2	0000 00X0b
04009Bh	Input Function Select Register 3	IFS3	XX00 XX00b
04009Ch			
04009Dh			
04009Eh			
04009Fh			
0400A0h	Port P0_0 Function Select Register	P0_0S	0XXX X000b
0400A1h	Port P1_0 Function Select Register	P1_0S	XXXX X000b
0400A2h	Port P0_1 Function Select Register	P0_1S	0XXX X000b
0400A3h	Port P1_1 Function Select Register	P1_1S	XXXX X000b
0400A4h	Port P0_2 Function Select Register	P0_2S	0XXX X000b
0400A5h	Port P1_2 Function Select Register	P1_2S	XXXX X000b
0400A6h	Port P0_3 Function Select Register	P0_3S	0XXX X000b
0400A7h	Port P1_3 Function Select Register	P1_3S	XXXX X000b
0400A8h	Port P0_4 Function Select Register	P0_4S	0XXX X000b
0400A9h	Port P1_4 Function Select Register	P1_4S	XXXX X000b
0400AAh	Port P0_5 Function Select Register	P0_5S	0XXX X000b
0400ABh	Port P1_5 Function Select Register	P1_5S	XXXX X000b
0400ACh	Port P0_6 Function Select Register	P0_6S	0XXX X000b
0400ADh	Port P1_6 Function Select Register	P1_6S	XXXX X000b
0400AEh	Port P0_7 Function Select Register	P0_7S	0XXX X000b
0400AFh	Port P1_7 Function Select Register	P1_7S	XXXX X000b
0400B0h	Port P2_0 Function Select Register	P2_0S	00XX X000b
0400B1h	Port P3_0 Function Select Register	P3_0S	XXXX X000b
0400B2h	Port P2_1 Function Select Register	P2_1S	00XX X000b
0400B3h	Port P3_1 Function Select Register	P3_1S	XXXX X000b
0400B4h	Port P2_2 Function Select Register	P2_2S	00XX X000b
0400B5h	Port P3_2 Function Select Register	P3_2S	XXXX X000b
0400B6h	Port P2_3 Function Select Register	P2_3S	00XX X000b
0400B7h	Port P3_3 Function Select Register	P3_3S	XXXX X000b
0400B8h	Port P2_4 Function Select Register	P2_4S	00XX X000b
0400B9h	Port P3_4 Function Select Register	P3_4S	XXXX X000b
0400BAh	Port P2_5 Function Select Register	P2_5S	00XX X000b
0400BBh	Port P3_5 Function Select Register	P3_5S	XXXX X000b
0400BCh	Port P2_6 Function Select Register	P2_6S	00XX X000b
0400BDh	Port P3_6 Function Select Register	P3_6S	XXXX X000b
0400BEh	Port P2_7 Function Select Register	P2_7S	00XX X000b
0400BFh	Port P3_7 Function Select Register	P3_7S	XXXX X000b

X: Undefined

Blanks are reserved. No access is allowed.

**Table 4.21 SFR List (21)**

Address	Register	Symbol	Reset Value
0400C0h	Port P4_0 Function Select Register	P4_0S	X0XX X000b
0400C1h	Port P5_0 Function Select Register	P5_0S	XXXX X000b
0400C2h	Port P4_1 Function Select Register	P4_1S	X0XX X000b
0400C3h	Port P5_1 Function Select Register	P5_1S	XXXX X000b
0400C4h	Port P4_2 Function Select Register	P4_2S	X0XX X000b
0400C5h	Port P5_2 Function Select Register	P5_2S	XXXX X000b
0400C6h	Port P4_3 Function Select Register	P4_3S	X0XX X000b
0400C7h	Port P5_3 Function Select Register	P5_3S	XXXX X000b
0400C8h	Port P4_4 Function Select Register	P4_4S	X0XX X000b
0400C9h	Port P5_4 Function Select Register	P5_4S	X0XX X000b
0400CAh	Port P4_5 Function Select Register	P4_5S	X0XX X000b
0400CBh	Port P5_5 Function Select Register	P5_5S	X0XX X000b
0400CCh	Port P4_6 Function Select Register	P4_6S	X0XX X000b
0400CDh	Port P5_6 Function Select Register	P5_6S	X0XX X000b
0400CEh	Port P4_7 Function Select Register	P4_7S	X0XX X000b
0400CFh	Port P5_7 Function Select Register	P5_7S	X0XX X000b
0400D0h	Port P6_0 Function Select Register	P6_0S	X0XX X000b
0400D1h	Port P7_0 Function Select Register	P7_0S	X0XX X000b
0400D2h	Port P6_1 Function Select Register	P6_1S	X0XX X000b
0400D3h	Port P7_1 Function Select Register	P7_1S	X0XX X000b
0400D4h	Port P6_2 Function Select Register	P6_2S	X0XX X000b
0400D5h	Port P7_2 Function Select Register	P7_2S	X0XX X000b
0400D6h	Port P6_3 Function Select Register	P6_3S	X0XX X000b
0400D7h	Port P7_3 Function Select Register	P7_3S	X0XX X000b
0400D8h	Port P6_4 Function Select Register	P6_4S	X0XX X000b
0400D9h	Port P7_4 Function Select Register	P7_4S	X0XX X000b
0400DAh	Port P6_5 Function Select Register	P6_5S	X0XX X000b
0400DBh	Port P7_5 Function Select Register	P7_5S	X0XX X000b
0400DCh	Port P6_6 Function Select Register	P6_6S	X0XX X000b
0400DDh	Port P7_6 Function Select Register	P7_6S	X0XX X000b
0400DEh	Port P6_7 Function Select Register	P6_7S	X0XX X000b
0400DFh	Port P7_7 Function Select Register	P7_7S	X0XX X000b
0400E0h	Port P8_0 Function Select Register	P8_0S	X0XX X000b
0400E1h	Port P9_0 Function Select Register	P9_0S	X0XX X000b
0400E2h	Port P8_1 Function Select Register	P8_1S	X0XX X000b
0400E3h	Port P9_1 Function Select Register	P9_1S	X0XX X000b
0400E4h	Port P8_2 Function Select Register	P8_2S	X0XX X000b
0400E5h	Port P9_2 Function Select Register	P9_2S	X0XX X000b
0400E6h	Port P8_3 Function Select Register	P8_3S	X0XX X000b
0400E7h	Port P9_3 Function Select Register	P9_3S	00XX X000b
0400E8h	Port P8_4 Function Select Register	P8_4S	XXXX X000b
0400E9h	Port P9_4 Function Select Register	P9_4S	00XX X000b
0400EAh			
0400EBh	Port P9_5 Function Select Register	P9_5S	00XX X000b
0400ECh	Port P8_6 Function Select Register	P8_6S	XXXX X000b
0400EDh	Port P9_6 Function Select Register	P9_6S	00XX X000b
0400EEh	Port P8_7 Function Select Register	P8_7S	XXXX X000b
0400EFh	Port P9_7 Function Select Register	P9_7S	X0XX X000b

X: Undefined

Blanks are reserved. No access is allowed.

**Table 4.22 SFR List (22)**

Address	Register	Symbol	Reset Value
0400F0h	Port P10_0 Function Select Register	P10_0S	0XXX X000b
0400F1h	Port P11_0 Function Select Register	P11_0S	X0XX X000b
0400F2h	Port P10_1 Function Select Register	P10_1S	0XXX X000b
0400F3h	Port P11_1 Function Select Register	P11_1S	X0XX X000b
0400F4h	Port P10_2 Function Select Register	P10_2S	0XXX X000b
0400F5h	Port P11_2 Function Select Register	P11_2S	X0XX X000b
0400F6h	Port P10_3 Function Select Register	P10_3S	0XXX X000b
0400F7h	Port P11_3 Function Select Register	P11_3S	X0XX X000b
0400F8h	Port P10_4 Function Select Register	P10_4S	0XXX X000b
0400F9h	Port P11_4 Function Select Register	P11_4S	XXXX X000b
0400FAh	Port P10_5 Function Select Register	P10_5S	0XXX X000b
0400FBh	Port P11_5 Function Select Register	P11_5S	XXXX X000b
0400FCh	Port P10_6 Function Select Register	P10_6S	0XXX X000b
0400FDh	Port P11_6 Function Select Register	P11_6S	XXXX X000b
0400FEh	Port P10_7 Function Select Register	P10_7S	0XXX X000b
0400FFh	Port P11_7 Function Select Register	P11_7S	XXXX X000b
040100h	Port P12_0 Function Select Register	P12_0S	X0XX X000b
040101h	Port P13_0 Function Select Register	P13_0S	XXXX X000b
040102h	Port P12_1 Function Select Register	P12_1S	X0XX X000b
040103h	Port P13_1 Function Select Register	P13_1S	XXXX X000b
040104h	Port P12_2 Function Select Register	P12_2S	X0XX X000b
040105h	Port P13_2 Function Select Register	P13_2S	XXXX X000b
040106h	Port P12_3 Function Select Register	P12_3S	X0XX X000b
040107h	Port P13_3 Function Select Register	P13_3S	XXXX X000b
040108h	Port P12_4 Function Select Register	P12_4S	X0XX X000b
040109h	Port P13_4 Function Select Register	P13_4S	XXXX X000b
04010Ah	Port P12_5 Function Select Register	P12_5S	X0XX X000b
04010Bh	Port P13_5 Function Select Register	P13_5S	XXXX X000b
04010Ch	Port P12_6 Function Select Register	P12_6S	X0XX X000b
04010Dh	Port P13_6 Function Select Register	P13_6S	XXXX X000b
04010Eh	Port P12_7 Function Select Register	P12_7S	X0XX X000b
04010Fh	Port P13_7 Function Select Register	P13_7S	XXXX X000b
040110h			
040111h	Port P15_0 Function Select Register	P15_0S	00XX X000b
040112h			
040113h	Port P15_1 Function Select Register	P15_1S	00XX X000b
040114h			
040115h	Port P15_2 Function Select Register	P15_2S	00XX X000b
040116h	Port P14_3 Function Select Register	P14_3S	XXXX X000b
040117h	Port P15_3 Function Select Register	P15_3S	00XX X000b
040118h	Port P14_4 Function Select Register	P14_4S	XXXX X000b
040119h	Port P15_4 Function Select Register	P15_4S	00XX X000b
04011Ah	Port P14_5 Function Select Register	P14_5S	XXXX X000b
04011Bh	Port P15_5 Function Select Register	P15_5S	00XX X000b
04011Ch	Port P14_6 Function Select Register	P14_6S	XXXX X000b
04011Dh	Port P15_6 Function Select Register	P15_6S	00XX X000b
04011Eh	Port P14_7 Function Select Register	P14_7S	XXXX X000b
04011Fh	Port P15_7 Function Select Register	P15_7S	00XX X000b

X: Undefined

Blanks are reserved. No access is allowed.

**Table 4.23 SFR List (23)**

Address	Register	Symbol	Reset Value
040120h	Port P16_0 Function Select Register	P16_0S	X0XX X000b
040121h	Port P17_0 Function Select Register	P17_0S	X0XX X000b
040122h	Port P16_1 Function Select Register	P16_1S	X0XX X000b
040123h	Port P17_1 Function Select Register	P17_1S	X0XX X000b
040124h	Port P16_2 Function Select Register	P16_2S	X0XX X000b
040125h	Port P17_2 Function Select Register	P17_2S	X0XX X000b
040126h	Port P16_3 Function Select Register	P16_3S	X0XX X000b
040127h	Port P17_3 Function Select Register	P17_3S	X0XX X000b
040128h	Port P16_4 Function Select Register	P16_4S	X0XX X000b
040129h	Port P17_4 Function Select Register	P17_4S	XXXX X000b
04012Ah	Port P16_5 Function Select Register	P16_5S	X0XX X000b
04012Bh	Port P17_5 Function Select Register	P17_5S	XXXX X000b
04012Ch	Port P16_6 Function Select Register	P16_6S	X0XX X000b
04012Dh	Port P17_6 Function Select Register	P17_6S	XXXX X000b
04012Eh	Port P16_7 Function Select Register	P16_7S	X0XX X000b
04012Fh	Port P17_7 Function Select Register	P17_7S	XXXX X000b
040130h	Port P18_0 Function Select Register	P18_0S	XXXX X000b
040131h	Port P19_0 Function Select Register	P19_0S	XXXX X000b
040132h	Port P18_1 Function Select Register	P18_1S	XXXX X000b
040133h	Port P19_1 Function Select Register	P19_1S	XXXX X000b
040134h	Port P18_2 Function Select Register	P18_2S	XXXX X000b
040135h	Port P19_2 Function Select Register	P19_2S	XXXX X000b
040136h	Port P18_3 Function Select Register	P18_3S	XXXX X000b
040137h	Port P19_3 Function Select Register	P19_3S	XXXX X000b
040138h	Port P18_4 Function Select Register	P18_4S	XXXX X000b
040139h	Port P19_4 Function Select Register	P19_4S	XXXX X000b
04013Ah	Port P18_5 Function Select Register	P18_5S	XXXX X000b
04013Bh	Port P19_5 Function Select Register	P19_5S	XXXX X000b
04013Ch	Port P18_6 Function Select Register	P18_6S	XXXX X000b
04013Dh	Port P19_6 Function Select Register	P19_6S	XXXX X000b
04013Eh	Port P18_7 Function Select Register	P18_7S	XXXX X000b
04013Fh	Port P19_7 Function Select Register	P19_7S	XXXX X000b
040140h			
040141h			
040142h			
040143h			
040144h			
040145h			
040146h			
040147h			
040148h			
040149h			
04014Ah			
04014Bh			
04014Ch			
04014Dh			
04014Eh			
04014Fh			

X: Undefined

Blanks are reserved. No access is allowed.

**Table 4.24 SFR List (24)**

Address	Register	Symbol	Reset Value
040150h to 0402FFh			
040300h	UART9 Transmit/Receive Mode Register	U9MR	00h
040301h	UART9 Bit Rate Register	U9BRG	XXh
040302h	UART9 Transmit Buffer Register	U9TB	XXXXh
040303h			
040304h	UART9 Transmit/Receive Control Register 0	U9C0	00X0 1000b
040305h	UART9 Transmit/Receive Control Register 1	U9C1	XXXX 0010b
040306h	UART9 Receive Buffer Register	U9RB	XXXXh
040307h			
040308h	UART10 Transmit/Receive Mode Register	U10MR	00h
040309h	UART10 Bit Rate Register	U10BRG	XXh
04030Ah	UART10 Transmit Buffer Register	U10TB	XXXXh
04030Bh			
04030Ch	UART10 Transmit/Receive Control Register 0	U10C0	00X0 1000b
04030Dh	UART10 Transmit/Receive Control Register 1	U10C1	XXXX 0010b
04030Eh	UART10 Receive Buffer Register	U10RB	XXXXh
04030Fh			
040310h	UART9, UART10 Transmit/Receive Control Register 2	U910CON	X000 0000b
040311h			
040312h			
040313h			
040314h			
040315h			
040316h			
040317h			
040318h to 041FFFh			
042000h to 04201Fh	Protected Area 0	—	Undefined
042020h to 04203Fh	Protected Area 1	—	Undefined
042040h to 04205Fh	Protected Area 2	—	Undefined
042060h to 04207Fh	Protected Area 3	—	Undefined
042080h to 04209Fh	Protected Area 4	—	Undefined
0420A0h to 0420EFh			
0420F0h	Protected Area Protect Release Register	PAPR	XXX0 0000b
0420F1h			
0420F2h	Protected Area Write Access Flag Register	PAWF	XXX0 0000b
0420F3h			
0420F4h			
0420F5h			
0420F6h			
0420F7h			
0420F8h to 043FFFh			

X: Undefined

Blanks are reserved. No access is allowed.

**Table 4.25 SFR List (25)**

Address	Register	Symbol	Reset Value
044000h to 04403Fh			
044040h			
044041h			
044042h			
044043h			
044044h			
044045h			
044046h			
044047h			
044048h			
044049h			
04404Ah			
04404Bh			
04404Ch	Protect Register 4	PRCR4	0000 0000b
04404Dh	Watchdog Timer Clock Control Register	WDK	0000 000?b <sup>(1)</sup>
04404Eh	Watchdog Timer Start Register	WDTS	XXXX XXXXb
04404Fh	Watchdog Timer Control Register	WDC	000X XXXXb
044050h			
044051h			
044052h			
044053h			
044054h			
044055h			
044056h			
044057h			
044058h			
044059h			
04405Ah			
04405Bh			
04405Ch			
04405Dh			
04405Eh			
04405Fh	Protect Register 2	PRCR2	0XXX XXXXb

X: Undefined

Blanks are reserved. No access is allowed.

**Note:**

1. The bit 0 is set to 1 when the most recent reset is caused by the watchdog timer. Otherwise, it is set to 0.

**Table 4.26 SFR List (26)**

Address	Register	Symbol	Reset Value
044060h			
044061h			
044062h			
044063h			
044064h			
044065h			
044066h			
044067h			
044068h			
044069h			
04406Ah			
04406Bh			
04406Ch			
04406Dh	External Interrupt Request Source Select Register 1	IFSR1	X0XX X000b
04406Eh			
04406Fh	External Interrupt Request Source Select Register 0	IFSR0	0000 0000b
044070h	DMA0 Request Source Select Register 2	DM0SL2	XX00 0000b
044071h	DMA1 Request Source Select Register 2	DM1SL2	XX00 0000b
044072h	DMA2 Request Source Select Register 2	DM2SL2	XX00 0000b
044073h	DMA3 Request Source Select Register 2	DM3SL2	XX00 0000b
044074h			
044075h			
044076h			
044077h			
044078h	DMA0 Request Source Select Register	DM0SL	XXX0 0000b
044079h	DMA1 Request Source Select Register	DM1SL	XXX0 0000b
04407Ah	DMA2 Request Source Select Register	DM2SL	XXX0 0000b
04407Bh	DMA3 Request Source Select Register	DM3SL	XXX0 0000b
04407Ch			
04407Dh	Wake-up IPL Setting Register 2	RIPL2	XX0X 0000b
04407Eh			
04407Fh	Wake-up IPL Setting Register 1	RIPL1	XX0X 0000b
044080h			
044081h			
044082h			
044083h			
044084h			
044085h			
044086h			
044087h			
044088h			
044089h			
04408Ah			
04408Bh			
04408Ch			
04408Dh			
04408Eh			
04408Fh			

X: Undefined

Blanks are reserved. No access is allowed.

**Table 4.27 SFR List (27)**

Address	Register	Symbol	Reset Value
044090h to 0443FFh			
044400h	I <sup>2</sup> C-bus Transmit/Receive Shift Register	I2CTRSR	XXh
044401h			
044402h	I <sup>2</sup> C-bus Slave Address Register	I2CSAR	00h
044403h	I <sup>2</sup> C-bus Control Register 0	I2CCR0	0000 0000b
044404h	I <sup>2</sup> C-bus Clock Control Register	I2CCCR	0000 0000b
044405h	I <sup>2</sup> C-bus START and STOP Conditions Control Register	I2CSSCR	0001 1010b
044406h	I <sup>2</sup> C-bus Control Register 1	I2CCR1	0011 0000b
044407h	I <sup>2</sup> C-bus Control Register 2	I2CCR2	0X00 0000b
044408h	I <sup>2</sup> C-bus Status Register	I2CSR	0001 000Xb
044409h			
04440Ah			
04440Bh			
04440Ch			
04440Dh			
04440Eh			
04440Fh			
044410h	I <sup>2</sup> C-bus Mode Register	I2CMR	XXXX 0000b
044411h			
044412h			
044413h			
044414h			
044415h			
044416h			
044417h			
044418h			
044419h			
04441Ah			
04441Bh			
04441Ch			
04441Dh			
04441Eh			
04441Fh			
044420h to 0467FFh			

X: Undefined

Blanks are reserved. No access is allowed.



**Table 4.28 SFR List (28)**

Address	Register	Symbol	Reset Value				
046800h to 047BFFh							
047C00h 047C01h 047C02h 047C03h 047C04h	CAN0 Mailbox 0: Message Identifier	COMB0	XXXX XXXXh				
047C05h	CAN0 Mailbox 0: Data Length						
047C06h 047C07h 047C08h 047C09h 047C0Ah 047C0Bh 047C0Ch 047C0Dh	CAN0 Mailbox 0: Data Field						
047C0Eh 047C0Fh	CAN0 Mailbox 0: Time Stamp						
047C10h 047C11h 047C12h 047C13h 047C14h	CAN0 Mailbox 1: Message Identifier			COMB1	XXXX XXXXh		
047C15h	CAN0 Mailbox 1: Data Length						
047C16h 047C17h 047C18h 047C19h 047C1Ah 047C1Bh 047C1Ch 047C1Dh	CAN0 Mailbox 1: Data Field						
047C1Eh 047C1Fh	CAN0 Mailbox 1: Time Stamp						
047C20h 047C21h 047C22h 047C23h 047C24h	CAN0 Mailbox 2: Message Identifier					COMB2	XXXX XXXXh
047C25h	CAN0 Mailbox 2: Data Length						
047C26h 047C27h 047C28h 047C29h 047C2Ah 047C2Bh 047C2Ch 047C2Dh	CAN0 Mailbox 2: Data Field						
047C2Eh 047C2Fh	CAN0 Mailbox 2: Time Stamp						

X: Undefined

Blanks are reserved. No access is allowed.

**Table 4.29 SFR List (29)**

Address	Register	Symbol	Reset Value
047C30h	CAN0 Mailbox 3: Message Identifier	COMB3	XXXX XXXXh
047C31h			
047C32h			
047C33h			
047C34h			
047C35h	CAN0 Mailbox 3: Data Length		XXh
047C36h	CAN0 Mailbox 3: Data Field		XXXX XXXX XXXX XXXXh
047C37h			
047C38h			
047C39h			
047C3Ah			
047C3Bh			
047C3Ch			
047C3Dh			
047C3Eh	CAN0 Mailbox 3: Time Stamp		XXXXh
047C3Fh			
047C40h	CAN0 Mailbox 4: Message Identifier	COMB4	XXXX XXXXh
047C41h			
047C42h			
047C43h			
047C44h			
047C45h	CAN0 Mailbox 4: Data Length		XXh
047C46h	CAN0 Mailbox 4: Data Field		XXXX XXXX XXXX XXXXh
047C47h			
047C48h			
047C49h			
047C4Ah			
047C4Bh			
047C4Ch			
047C4Dh			
047C4Eh	CAN0 Mailbox 4: Time Stamp		XXXXh
047C4Fh			
047C50h	CAN0 Mailbox 5: Message Identifier	COMB5	XXXX XXXXh
047C51h			
047C52h			
047C53h			
047C54h			
047C55h	CAN0 Mailbox 5: Data Length		XXh
047C56h	CAN0 Mailbox 5: Data Field		XXXX XXXX XXXX XXXXh
047C57h			
047C58h			
047C59h			
047C5Ah			
047C5Bh			
047C5Ch			
047C5Dh			
047C5Eh	CAN0 Mailbox 5: Time Stamp		XXXXh
047C5Fh			

X: Undefined

Blanks are reserved. No access is allowed.

**Table 4.30 SFR List (30)**

Address	Register	Symbol	Reset Value
047C60h	CAN0 Mailbox 6: Message Identifier	COMB6	XXXX XXXXh
047C61h			
047C62h			
047C63h			
047C64h			
047C65h	CAN0 Mailbox 6: Data Length		XXh
047C66h	CAN0 Mailbox 6: Data Field		XXXX XXXX XXXX XXXXh
047C67h			
047C68h			
047C69h			
047C6Ah			
047C6Bh			
047C6Ch			
047C6Dh			
047C6Eh	CAN0 Mailbox 6: Time Stamp		XXXXh
047C6Fh			
047C70h	CAN0 Mailbox 7: Message Identifier	COMB7	XXXX XXXXh
047C71h			
047C72h			
047C73h			
047C74h			
047C75h	CAN0 Mailbox 7: Data Length		XXh
047C76h	CAN0 Mailbox 7: Data Field		XXXX XXXX XXXX XXXXh
047C77h			
047C78h			
047C79h			
047C7Ah			
047C7Bh			
047C7Ch			
047C7Dh			
047C7Eh	CAN0 Mailbox 7: Time Stamp		XXXXh
047C7Fh			
047C80h	CAN0 Mailbox 8: Message Identifier	COMB8	XXXX XXXXh
047C81h			
047C82h			
047C83h			
047C84h			
047C85h	CAN0 Mailbox 8: Data Length		XXh
047C86h	CAN0 Mailbox 8: Data Field		XXXX XXXX XXXX XXXXh
047C87h			
047C88h			
047C89h			
047C8Ah			
047C8Bh			
047C8Ch			
047C8Dh			
047C8Eh	CAN0 Mailbox 8: Time Stamp		XXXXh
047C8Fh			

X: Undefined

Blanks are reserved. No access is allowed.

**Table 4.31 SFR List (31)**

Address	Register	Symbol	Reset Value
047C90h	CAN0 Mailbox 9: Message Identifier	COMB9	XXXX XXXXh
047C91h			
047C92h			
047C93h			
047C94h			
047C95h	CAN0 Mailbox 9: Data Length		XXh
047C96h	CAN0 Mailbox 9: Data Field		XXXX XXXX XXXX XXXXh
047C97h			
047C98h			
047C99h			
047C9Ah			
047C9Bh			
047C9Ch			
047C9Dh			
047C9Eh	CAN0 Mailbox 9: Time Stamp		XXXXh
047C9Fh			
047CA0h	CAN0 Mailbox 10: Message Identifier	COMB10	XXXX XXXXh
047CA1h			
047CA2h			
047CA3h			
047CA4h			
047CA5h	CAN0 Mailbox 10: Data Length		XXh
047CA6h	CAN0 Mailbox 10: Data Field		XXXX XXXX XXXX XXXXh
047CA7h			
047CA8h			
047CA9h			
047CAAh			
047CABh			
047CACh			
047CADh			
047CAEh	CAN0 Mailbox 10: Time Stamp		XXXXh
047CAFh			
047CB0h	CAN0 Mailbox 11: Message Identifier	COMB11	XXXX XXXXh
047CB1h			
047CB2h			
047CB3h			
047CB4h			
047CB5h	CAN0 Mailbox 11: Data Length		XXh
047CB6h	CAN0 Mailbox 11: Data Field		XXXX XXXX XXXX XXXXh
047CB7h			
047CB8h			
047CB9h			
047CBAh			
047CBBh			
047CBCh			
047CBDh			
047CBEh	CAN0 Mailbox 11: Time Stamp		XXXXh
047CBFh			

X: Undefined

Blanks are reserved. No access is allowed.

**Table 4.32 SFR List (32)**

Address	Register	Symbol	Reset Value
047CC0h	CAN0 Mailbox 12: Message Identifier	COMB12	XXXX XXXXh
047CC1h			
047CC2h			
047CC3h			
047CC4h			
047CC5h	CAN0 Mailbox 12: Data Length		XXh
047CC6h	CAN0 Mailbox 12: Data Field		XXXX XXXX XXXX XXXXh
047CC7h			
047CC8h			
047CC9h			
047CCAh			
047CCBh			
047CCCh			
047CCDh			
047CCEh			
047CCEh	CAN0 Mailbox 12: Time Stamp		XXXXh
047CCFh			
047CD0h	CAN0 Mailbox 13: Message Identifier	COMB13	XXXX XXXXh
047CD1h			
047CD2h			
047CD3h			
047CD4h			
047CD5h	CAN0 Mailbox 13: Data Length		XXh
047CD6h	CAN0 Mailbox 13: Data Field		XXXX XXXX XXXX XXXXh
047CD7h			
047CD8h			
047CD9h			
047CDAh			
047CDBh			
047CDCh			
047CDDh			
047CDEh			
047CDEh	CAN0 Mailbox 13: Time Stamp		XXXXh
047CDFh			
047CE0h	CAN0 Mailbox 14: Message Identifier	COMB14	XXXX XXXXh
047CE1h			
047CE2h			
047CE3h			
047CE4h			
047CE5h	CAN0 Mailbox 14: Data Length		XXh
047CE6h	CAN0 Mailbox 14: Data Field		XXXX XXXX XXXX XXXXh
047CE7h			
047CE8h			
047CE9h			
047CEAh			
047CEBh			
047CECh			
047CEDh			
047CEEh			
047CEEh	CAN0 Mailbox 14: Time Stamp		XXXXh
047CEFh			

X: Undefined

Blanks are reserved. No access is allowed.

**Table 4.33 SFR List (33)**

Address	Register	Symbol	Reset Value
047CF0h	CAN0 Mailbox 15: Message Identifier	C0MB15	XXXX XXXXh
047CF1h			
047CF2h			
047CF3h			
047CF4h			
047CF5h	CAN0 Mailbox 15: Data Length		XXh
047CF6h	CAN0 Mailbox 15: Data Field		XXXX XXXX XXXX XXXXh
047CF7h			
047CF8h			
047CF9h			
047CFAh			
047CFBh			
047CFCh			
047CFDh			
047CFEh			
047CFEh	CAN0 Mailbox 15: Time Stamp		XXXXh
047CFFh			
047D00h	CAN0 Mailbox 16: Message Identifier	C0MB16	XXXX XXXXh
047D01h			
047D02h			
047D03h			
047D04h			
047D05h	CAN0 Mailbox 16: Data Length		XXh
047D06h	CAN0 Mailbox 16: Data Field		XXXX XXXX XXXX XXXXh
047D07h			
047D08h			
047D09h			
047D0Ah			
047D0Bh			
047D0Ch			
047D0Dh			
047D0Eh			
047D0Eh	CAN0 Mailbox 16: Time Stamp		XXXXh
047D0Fh			
047D10h	CAN0 Mailbox 17: Message Identifier	C0MB17	XXXX XXXXh
047D11h			
047D12h			
047D13h			
047D14h			
047D15h	CAN0 Mailbox 17: Data Length		XXh
047D16h	CAN0 Mailbox 17: Data Field		XXXX XXXX XXXX XXXXh
047D17h			
047D18h			
047D19h			
047D1Ah			
047D1Bh			
047D1Ch			
047D1Dh			
047D1Eh			
047D1Eh	CAN0 Mailbox 17: Time Stamp		XXXXh
047D1Fh			

X: Undefined

Blanks are reserved. No access is allowed.

**Table 4.34 SFR List (34)**

Address	Register	Symbol	Reset Value
047D20h	CAN0 Mailbox 18: Message Identifier	C0MB18	XXXX XXXXh
047D21h			
047D22h			
047D23h			
047D24h			
047D25h	CAN0 Mailbox 18: Data Length		XXh
047D26h	CAN0 Mailbox 18: Data Field		XXXX XXXX XXXX XXXXh
047D27h			
047D28h			
047D29h			
047D2Ah			
047D2Bh			
047D2Ch			
047D2Dh			
047D2Eh	CAN0 Mailbox 18: Time Stamp		XXXXh
047D2Fh			
047D30h	CAN0 Mailbox 19: Message Identifier	C0MB19	XXXX XXXXh
047D31h			
047D32h			
047D33h			
047D34h			
047D35h	CAN0 Mailbox 19: Data Length		XXh
047D36h	CAN0 Mailbox 19: Data Field		XXXX XXXX XXXX XXXXh
047D37h			
047D38h			
047D39h			
047D3Ah			
047D3Bh			
047D3Ch			
047D3Dh			
047D3Eh	CAN0 Mailbox 19: Time Stamp		XXXXh
047D3Fh			
047D40h	CAN0 Mailbox 20: Message Identifier	C0MB20	XXXX XXXXh
047D41h			
047D42h			
047D43h			
047D44h			
047D45h	CAN0 Mailbox 20: Data Length		XXh
047D46h	CAN0 Mailbox 20: Data Field		XXXX XXXX XXXX XXXXh
047D47h			
047D48h			
047D49h			
047D4Ah			
047D4Bh			
047D4Ch			
047D4Dh			
047D4Eh	CAN0 Mailbox 20: Time Stamp		XXXXh
047D4Fh			

X: Undefined

Blanks are reserved. No access is allowed.

**Table 4.35 SFR List (35)**

Address	Register	Symbol	Reset Value
047D50h	CAN0 Mailbox 21: Message Identifier	C0MB21	XXXX XXXXh
047D51h			
047D52h			
047D53h			
047D54h			
047D55h	CAN0 Mailbox 21: Data Length		XXh
047D56h	CAN0 Mailbox 21: Data Field		XXXX XXXX XXXX XXXXh
047D57h			
047D58h			
047D59h			
047D5Ah			
047D5Bh			
047D5Ch			
047D5Dh			
047D5Eh	CAN0 Mailbox 21: Time Stamp		XXXXh
047D5Fh			
047D60h	CAN0 Mailbox 22: Message Identifier	C0MB22	XXXX XXXXh
047D61h			
047D62h			
047D63h			
047D64h			
047D65h	CAN0 Mailbox 22: Data Length		XXh
047D66h	CAN0 Mailbox 22: Data Field		XXXX XXXX XXXX XXXXh
047D67h			
047D68h			
047D69h			
047D6Ah			
047D6Bh			
047D6Ch			
047D6Dh			
047D6Eh	CAN0 Mailbox 22: Time Stamp		XXXXh
047D6Fh			
047D70h	CAN0 Mailbox 23: Message Identifier	C0MB23	XXXX XXXXh
047D71h			
047D72h			
047D73h			
047D74h			
047D75h	CAN0 Mailbox 23: Data Length		XXh
047D76h	CAN0 Mailbox 23: Data Field		XXXX XXXX XXXX XXXXh
047D77h			
047D78h			
047D79h			
047D7Ah			
047D7Bh			
047D7Ch			
047D7Dh			
047D7Eh	CAN0 Mailbox 23: Time Stamp		XXXXh
047D7Fh			

X: Undefined

Blanks are reserved. No access is allowed.



**Table 4.36 SFR List (36)**

Address	Register	Symbol	Reset Value
047D80h	CAN0 Mailbox 24: Message Identifier	C0MB24	XXXX XXXXh
047D81h			
047D82h			
047D83h			
047D84h			
047D85h	CAN0 Mailbox 24: Data Length		XXh
047D86h	CAN0 Mailbox 24: Data Field		XXXX XXXX XXXX XXXXh
047D87h			
047D88h			
047D89h			
047D8Ah			
047D8Bh			
047D8Ch			
047D8Dh			
047D8Eh	CAN0 Mailbox 24: Time Stamp		XXXXh
047D8Fh			
047D90h	CAN0 Mailbox 25: Message Identifier	C0MB25	XXXX XXXXh
047D91h			
047D92h			
047D93h			
047D94h			
047D95h	CAN0 Mailbox 25: Data Length		XXh
047D96h	CAN0 Mailbox 25: Data Field		XXXX XXXX XXXX XXXXh
047D97h			
047D98h			
047D99h			
047D9Ah			
047D9Bh			
047D9Ch			
047D9Dh			
047D9Eh	CAN0 Mailbox 25: Time Stamp		XXXXh
047D9Fh			
047DA0h	CAN0 Mailbox 26: Message Identifier	C0MB26	XXXX XXXXh
047DA1h			
047DA2h			
047DA3h			
047DA4h			
047DA5h	CAN0 Mailbox 26: Data Length		XXh
047DA6h	CAN0 Mailbox 26: Data Field		XXXX XXXX XXXX XXXXh
047DA7h			
047DA8h			
047DA9h			
047DAAh			
047DABh			
047DACH			
047DADh			
047DAEh	CAN0 Mailbox 26: Time Stamp		XXXXh
047DAFh			

X: Undefined

Blanks are reserved. No access is allowed.

**Table 4.37 SFR List (37)**

Address	Register	Symbol	Reset Value
047DB0h	CAN0 Mailbox 27: Message Identifier	COMB27	XXXX XXXXh
047DB1h			
047DB2h			
047DB3h			
047DB4h			
047DB5h	CAN0 Mailbox 27: Data Length		XXh
047DB6h	CAN0 Mailbox 27: Data Field		XXXX XXXX XXXX XXXXh
047DB7h			
047DB8h			
047DB9h			
047DBAh			
047DBBh			
047DBCh			
047DBDh			
047DBEh			
047DBFh			
047DC0h	CAN0 Mailbox 28: Message Identifier	COMB28	XXXX XXXXh
047DC1h			
047DC2h			
047DC3h			
047DC4h			
047DC5h	CAN0 Mailbox 28: Data Length		XXh
047DC6h	CAN0 Mailbox 28: Data Field		XXXX XXXX XXXX XXXXh
047DC7h			
047DC8h			
047DC9h			
047DCAh			
047DCBh			
047DCCCh			
047DCDh			
047DCEh			
047DCFh			
047DD0h	CAN0 Mailbox 29: Message Identifier	COMB29	XXXX XXXXh
047DD1h			
047DD2h			
047DD3h			
047DD4h			
047DD5h	CAN0 Mailbox 29: Data Length		XXh
047DD6h	CAN0 Mailbox 29: Data Field		XXXX XXXX XXXX XXXXh
047DD7h			
047DD8h			
047DD9h			
047DDAh			
047DDBh			
047DDCh			
047DDDh			
047DDEh			
047DDFh			

X: Undefined

Blanks are reserved. No access is allowed.

**Table 4.38 SFR List (38)**

Address	Register	Symbol	Reset Value
047DE0h	CAN0 Mailbox 30: Message Identifier	COMB30	XXXX XXXXh
047DE1h			
047DE2h			
047DE3h			
047DE4h			
047DE5h	CAN0 Mailbox 30: Data Length		XXh
047DE6h	CAN0 Mailbox 30: Data Field		XXXX XXXX XXXX XXXXh
047DE7h			
047DE8h			
047DE9h			
047DEAh			
047DEBh			
047DECh			
047DEDh			
047DEEh			
047DEEh	CAN0 Mailbox 30: Time Stamp		XXXXh
047DEFh			
047DF0h	CAN0 Mailbox 31: Message Identifier	COMB31	XXXX XXXXh
047DF1h			
047DF2h			
047DF3h			
047DF4h			
047DF5h	CAN0 Mailbox 31: Data Length		XXh
047DF6h	CAN0 Mailbox 31: Data Field		XXXX XXXX XXXX XXXXh
047DF7h			
047DF8h			
047DF9h			
047DFAh			
047DFBh			
047DFCh			
047DFDh			
047DFEh			
047DFEh	CAN0 Mailbox 31: Time Stamp		XXXXh
047DFFh			
047E00h	CAN0 Mask Register 0	COMKR0	XXXX XXXXh
047E01h			
047E02h			
047E03h			
047E04h	CAN0 Mask Register 1	COMKR1	XXXX XXXXh
047E05h			
047E06h			
047E07h			
047E08h	CAN0 Mask Register 2	COMKR2	XXXX XXXXh
047E09h			
047E0Ah			
047E0Bh			
047E0Ch	CAN0 Mask Register 3	COMKR3	XXXX XXXXh
047E0Dh			
047E0Eh			
047E0Fh			

X: Undefined

Blanks are reserved. No access is allowed.

**Table 4.39 SFR List (39)**

Address	Register	Symbol	Reset Value
047E10h	CAN0 Mask Register 4	COMKR4	XXXX XXXXh
047E11h			
047E12h			
047E13h			
047E14h	CAN0 Mask Register 5	COMKR5	XXXX XXXXh
047E15h			
047E16h			
047E17h			
047E18h	CAN0 Mask Register 6	COMKR6	XXXX XXXXh
047E19h			
047E1Ah			
047E1Bh			
047E1Ch	CAN0 Mask Register 7	COMKR7	XXXX XXXXh
047E1Dh			
047E1Eh			
047E1Fh			
047E20h	CAN0 FIFO Receive ID Compare Register 0	C0FIDCR0	XXXX XXXXh
047E21h			
047E22h			
047E23h			
047E24h	CAN0 FIFO Receive ID Compare Register 1	C0FIDCR1	XXXX XXXXh
047E25h			
047E26h			
047E27h			
047E28h	CAN0 Mask Invalid Register	COMKIVLR	XXXX XXXXh
047E29h			
047E2Ah			
047E2Bh			
047E2Ch	CAN0 Mailbox Interrupt Enable Register	COMIER	XXXX XXXXh
047E2Dh			
047E2Eh			
047E2Fh			
047E30h			
047E31h			
047E32h			
047E33h			
047E34h			
047E35h			
047E36h			
047E37h			
047E38h			
047E39h			
047E3Ah			
047E3Bh			
047E3Ch			
047E3Dh			
047E3Eh			
047E3Fh			
047E40h to 047F1Fh			

X: Undefined

Blanks are reserved. No access is allowed.

**Table 4.40 SFR List (40)**

Address	Register	Symbol	Reset Value
047F20h	CAN0 Message Control Register 0	COMCTL0	00h
047F21h	CAN0 Message Control Register 1	COMCTL1	00h
047F22h	CAN0 Message Control Register 2	COMCTL2	00h
047F23h	CAN0 Message Control Register 3	COMCTL3	00h
047F24h	CAN0 Message Control Register 4	COMCTL4	00h
047F25h	CAN0 Message Control Register 5	COMCTL5	00h
047F26h	CAN0 Message Control Register 6	COMCTL6	00h
047F27h	CAN0 Message Control Register 7	COMCTL7	00h
047F28h	CAN0 Message Control Register 8	COMCTL8	00h
047F29h	CAN0 Message Control Register 9	COMCTL9	00h
047F2Ah	CAN0 Message Control Register 10	COMCTL10	00h
047F2Bh	CAN0 Message Control Register 11	COMCTL11	00h
047F2Ch	CAN0 Message Control Register 12	COMCTL12	00h
047F2Dh	CAN0 Message Control Register 13	COMCTL13	00h
047F2Eh	CAN0 Message Control Register 14	COMCTL14	00h
047F2Fh	CAN0 Message Control Register 15	COMCTL15	00h
047F30h	CAN0 Message Control Register 16	COMCTL16	00h
047F31h	CAN0 Message Control Register 17	COMCTL17	00h
047F32h	CAN0 Message Control Register 18	COMCTL18	00h
047F33h	CAN0 Message Control Register 19	COMCTL19	00h
047F34h	CAN0 Message Control Register 20	COMCTL20	00h
047F35h	CAN0 Message Control Register 21	COMCTL21	00h
047F36h	CAN0 Message Control Register 22	COMCTL22	00h
047F37h	CAN0 Message Control Register 23	COMCTL23	00h
047F38h	CAN0 Message Control Register 24	COMCTL24	00h
047F39h	CAN0 Message Control Register 25	COMCTL25	00h
047F3Ah	CAN0 Message Control Register 26	COMCTL26	00h
047F3Bh	CAN0 Message Control Register 27	COMCTL27	00h
047F3Ch	CAN0 Message Control Register 28	COMCTL28	00h
047F3Dh	CAN0 Message Control Register 29	COMCTL29	00h
047F3Eh	CAN0 Message Control Register 30	COMCTL30	00h
047F3Fh	CAN0 Message Control Register 31	COMCTL31	00h

X: Undefined

Blanks are reserved. No access is allowed.

**Table 4.41 SFR List (41)**

Address	Register	Symbol	Reset Value
047F40h	CAN0 Control Register	C0CTLR	0000 0101b
047F41h			0000 0000b
047F42h	CAN0 Status Register	C0STR	0000 0101b
047F43h			0000 0000b
047F44h	CAN0 Bit Configuration Register	C0BCR	00 0000h
047F45h			
047F46h			
047F47h	CAN0 Clock Select Register	C0CLKR	000X 0000b
047F48h	CAN0 Receive FIFO Control Register	C0RFCR	1000 0000b
047F49h	CAN0 Receive FIFO Pointer Control Register	C0RFPCR	XXh
047F4Ah	CAN0 Transmit FIFO Control Register	C0TFCR	1000 0000b
047F4Bh	CAN0 Transmit FIFO Pointer Control Register	C0TFPCR	XXh
047F4Ch	CAN0 Error Interrupt Enable Register	C0EIER	00h
047F4Dh	CAN0 Error Interrupt Factor Judge Register	C0EIFR	00h
047F4Eh	CAN0 Receive Error Count Register	C0RECR	00h
047F4Fh	CAN0 Transmit Error Count Register	C0TECR	00h
047F50h	CAN0 Error Code Store Register	C0ECSR	00h
047F51h	CAN0 Channel Search Support Register	C0CSSR	XXh
047F52h	CAN0 Mailbox Search Status Register	C0MSSR	1000 0000b
047F53h	CAN0 Mailbox Search Mode Register	C0MSMR	0000 0000b
047F54h	CAN0 Time Stamp Register	C0TSR	0000h
047F55h			
047F56h	CAN0 Acceptance Filter Support Register	C0AFSR	XXXXh
047F57h			
047F58h	CAN0 Test Control Register	C0TCR	00h
047F59h			
047F5Ah			
047F5Bh			
047F5Ch			
047F5Dh			
047F5Eh			
047F5Fh			
047F60h to 047FFFh			
048000h to 04FFFFh			

X: Undefined

Blanks are reserved. No access is allowed.

## 5. Electrical Characteristics

**Table 5.1 Absolute Maximum Ratings (1)**

Symbol	Characteristic		Condition	Value	Unit
$V_{CC}$	Supply voltage		$V_{CC} = AV_{CC}$	-0.3 to 6.0	V
$AV_{CC}$	Analog supply voltage		$V_{CC} = AV_{CC}$	-0.3 to 6.0	V
$V_I$	Input voltage	XIN, $\overline{RESET}$ , CNVSS, NSD, $V_{REF}$ , P0_0 to P0_7, P1_0 to P1_7, P2_0 to P2_7, P3_0 to P3_7, P5_0 to P5_3, P8_4 to P8_7, P9_0 to P9_7, P10_0 to P10_7, P11_0 to P11_7, P13_0 to P13_7, P14_1, P14_3 to P14_7, P15_0 to P15_7, P17_4 to P17_7, P18_0 to P18_7, P19_0 to P19_7 (2)		-0.3 to $V_{CC} + 0.3$	V
		P4_0 to P4_7, P5_4 to P5_7, P6_0 to P6_7, P7_0 to P7_7, P8_0 to P8_3, P12_0 to P12_7, P16_0 to P16_7, P17_0 to P17_3 (2)		-0.3 to 6.0	V
$V_O$	Output voltage	XOUT, P0_0 to P0_7, P1_0 to P1_7, P2_0 to P2_7, P3_0 to P3_7, P4_0 to P4_7, P5_0 to P5_7, P6_0 to P6_7, P7_0 to P7_7, P8_0 to P8_4, P8_6, P8_7, P9_0 to P9_7, P10_0 to P10_7, P11_0 to P11_7, P12_0 to P12_7, P13_0 to P13_7, P14_3 to P14_7, P15_0 to P15_7, P16_0 to P16_7, P17_0 to P17_7, P18_0 to P18_7, P19_0 to P19_7 (2)		-0.3 to $V_{CC} + 0.3$	V
$P_d$	Power consumption		$T_a = 25^\circ\text{C}$	500	mW
—	Operating temperature range			-40 to 85	$^\circ\text{C}$
$T_{stg}$	Storage temperature range			-65 to 150	$^\circ\text{C}$

**Notes:**

- Stresses above those listed under “Absolute Maximum Ratings” may cause permanent damage to the device. This is a stress rating only and functional operation of the device at these or any other conditions above those indicated in the operational sections of this specification is not implied. Exposure to absolute maximum rating conditions for extended periods may affect device reliability.
- Ports P16 to P19 are available in the 176-pin package only.

**Table 5.2 Operating Conditions (1/5) (1)**

Symbol	Characteristic		Value			Unit	
			Min.	Typ.	Max.		
V <sub>CC</sub>	Digital supply voltage		3.0	5.0	5.5	V	
AV <sub>CC</sub>	Analog supply voltage			V <sub>CC</sub>		V	
V <sub>REF</sub>	Reference voltage		3.0		V <sub>CC</sub>	V	
V <sub>SS</sub>	Digital ground voltage			0		V	
AV <sub>SS</sub>	Analog ground voltage			0		V	
dV <sub>CC</sub> /dt	V <sub>CC</sub> ramp up rate (V <sub>CC</sub> < 2.0 V)		0.05			V/ms	
V <sub>IH</sub>	High level input voltage	XIN, $\overline{\text{RESET}}$ , CNVSS, NSD, P2_0 to P2_7, P3_0 to P3_7, P5_0 to P5_3, P8_4 to P8_7 (2), P9_0 to P9_7, P10_0 to P10_7, P11_0 to P11_7, P14_1, P14_3 to P14_7, P15_0 to P15_7, P17_4 to P17_7, P18_0 to P18_7, P19_0 to P19_7 (3)	0.8 × V <sub>CC</sub>		V <sub>CC</sub>	V	
		P4_0 to P4_7, P5_4 to P5_7, P6_0 to P6_7, P7_0 to P7_7, P8_0 to P8_3, P16_0 to P16_7, P17_0 to P17_3 (3)	0.8 × V <sub>CC</sub>		6.0	V	
		P0_0 to P0_7, P1_0 to P1_7, P13_0 to P13_7	in single-chip mode	0.8 × V <sub>CC</sub>		V <sub>CC</sub>	V
			in memory expansion mode or microprocessor mode	0.5 × V <sub>CC</sub>		V <sub>CC</sub>	V
		P12_0 to P12_7	in single-chip mode	0.8 × V <sub>CC</sub>		6.0	V
		in memory expansion mode or microprocessor mode	0.5 × V <sub>CC</sub>		6.0	V	
V <sub>IL</sub>	Low level input voltage	XIN, $\overline{\text{RESET}}$ , CNVSS, NSD, P2_0 to P2_7, P3_0 to P3_7, P4_0 to P4_7, P5_0 to P5_7, P6_0 to P6_7, P7_0 to P7_7, P8_0 to P8_7 (2), P9_0 to P9_7, P10_0 to P10_7, P11_0 to P11_7, P14_1, P14_3 to P14_7, P15_0 to P15_7, P16_0 to P16_7, P17_0 to P17_7, P18_0 to P18_7, P19_0 to P19_7 (3)	0		0.2 × V <sub>CC</sub>	V	
		P0_0 to P0_7, P1_0 to P1_7, P12_0 to P12_7, P13_0 to P13_7	in single-chip mode	0	0.2 × V <sub>CC</sub>	V	
			in memory expansion mode or microprocessor mode	0	0.16 × V <sub>CC</sub>	V	
T <sub>opr</sub>	Operating temperature range	D version	-40		85	°C	
		P version	-40		85	°C	

## Notes:

- The device is operationally guaranteed under these operating conditions.
- V<sub>IH</sub> and V<sub>IL</sub> for P8\_7 are specified for P8\_7 as a programmable port. These values are not applicable for P8\_7 as XCIN.
- Ports P16 to P19 are available in the 176-pin package only.



**Table 5.3 Operating Conditions (2/5)**  
**( $V_{CC} = 3.0$  to  $5.5$  V,  $V_{SS} = 0$  V, and  $T_a = T_{opr}$ , unless otherwise noted) (1)**

Symbol	Characteristic		Value (2)			Unit
			Min.	Typ.	Max.	
$C_{VDC}$	Decoupling capacitance for voltage regulator	Inter-pin voltage: 1.5 V	2.4		10.0	$\mu\text{F}$

## Notes:

1. The device is operationally guaranteed under these operating conditions.
2. This value should be met with due consideration to the following conditions: operating temperature, DC bias, aging, etc.

**Table 5.4 Operating Conditions (3/5)**  
**( $V_{CC} = 3.0$  to  $5.5$  V,  $V_{SS} = 0$  V, and  $T_a = T_{opr}$ , unless otherwise noted) (1)**

Symbol	Characteristic	Value			Unit
		Min.	Typ.	Max.	
$I_{OH(peak)}$	High level peak output current (2) P0_0 to P0_7, P1_0 to P1_7, P2_0 to P2_7, P3_0 to P3_7, P4_0 to P4_7, P5_0 to P5_7, P6_0 to P6_7, P7_0 to P7_7, P8_0 to P8_4, P8_6, P8_7, P9_0 to P9_7, P10_0 to P10_7, P11_0 to P11_7, P12_0 to P12_7, P13_0 to P13_7, P14_3 to P14_7, P15_0 to P15_7, P16_0 to P16_7, P17_0 to P17_7, P18_0 to P18_7, P19_0 to P19_7 (3)			-10.0	mA
$I_{OH(avg)}$	High level average output current (4) P0_0 to P0_7, P1_0 to P1_7, P2_0 to P2_7, P3_0 to P3_7, P4_0 to P4_7, P5_0 to P5_7, P6_0 to P6_7, P7_0 to P7_7, P8_0 to P8_4, P8_6, P8_7, P9_0 to P9_7, P10_0 to P10_7, P11_0 to P11_7, P12_0 to P12_7, P13_0 to P13_7, P14_3 to P14_7, P15_0 to P15_7, P16_0 to P16_7, P17_0 to P17_7, P18_0 to P18_7, P19_0 to P19_7 (3)			-5.0	mA
$I_{OL(peak)}$	Low level peak output current (2) P0_0 to P0_7, P1_0 to P1_7, P2_0 to P2_7, P3_0 to P3_7, P4_0 to P4_7, P5_0 to P5_7, P6_0 to P6_7, P7_0 to P7_7, P8_0 to P8_4, P8_6, P8_7, P9_0 to P9_7, P10_0 to P10_7, P11_0 to P11_7, P12_0 to P12_7, P13_0 to P13_7, P14_3 to P14_7, P15_0 to P15_7, P16_0 to P16_7, P17_0 to P17_7, P18_0 to P18_7, P19_0 to P19_7 (3)			10.0	mA
$I_{OL(avg)}$	Low level average output current (4) P0_0 to P0_7, P1_0 to P1_7, P2_0 to P2_7, P3_0 to P3_7, P4_0 to P4_7, P5_0 to P5_7, P6_0 to P6_7, P7_0 to P7_7, P8_0 to P8_4, P8_6, P8_7, P9_0 to P9_7, P10_0 to P10_7, P11_0 to P11_7, P12_0 to P12_7, P13_0 to P13_7, P14_3 to P14_7, P15_0 to P15_7, P16_0 to P16_7, P17_0 to P17_7, P18_0 to P18_7, P19_0 to P19_7 (3)			5.0	mA

## Notes:

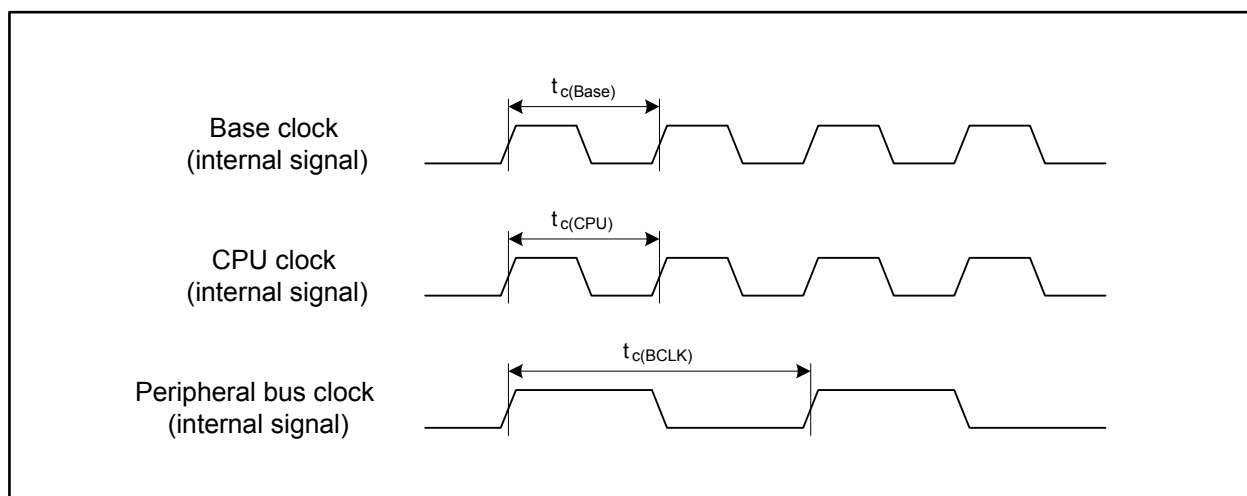
- The device is operationally guaranteed under these operating conditions.
- The following conditions should be satisfied:
  - The sum of  $I_{OL(peak)}$  of ports P0, P1, P2, P8\_6, P8\_7, P9, P10, P11\_0 to P11\_4, P14\_3 to P14\_6, P15, P18\_2 to P18\_7, P19\_0, P19\_1, P19\_6, and P19\_7 is 80 mA or less.
  - The sum of  $I_{OL(peak)}$  of ports P3, P4, P5, P6, P7, P8\_0 to P8\_4, P11\_5 to P11\_7, P12, P13, P14\_7, P16, P17, P18\_0, P18\_1, and P19\_2 to P19\_5 is 80 mA or less.
  - The sum of  $I_{OH(peak)}$  of ports P0, P1, P2, P11\_0 to P11\_4, P18\_2 to P18\_7, P19\_0, and P19\_1 is -40 mA or less.
  - The sum of  $I_{OH(peak)}$  of ports P8\_6, P8\_7, P9, P10, P14\_3 to P14\_6, P15, P19\_6, and P19\_7 is -40 mA or less.
  - The sum of  $I_{OH(peak)}$  of ports P3, P4, P5, P11\_5, P11\_6, P12, P13, P16, P17\_0 to P17\_3, and P19\_2 to P19\_5 is -40 mA or less.
  - The sum of  $I_{OH(peak)}$  of ports P6, P7, P8\_0 to P8\_4, P11\_7, P14\_7, P17\_4 to P17\_7, P18\_0, and P18\_1 is -40 mA or less.
- Ports P16 to P19 are available in the 176-pin package only.
- Average value within 100 ms.

**Table 5.5 Operating Conditions (4/5)**  
 ( $V_{CC} = 3.0$  to  $5.5$  V,  $V_{SS} = 0$  V, and  $T_a = T_{opr}$ , unless otherwise noted) (1)

Symbol	Characteristic	Value			Unit
		Min.	Typ.	Max.	
$f_{(XIN)}$	Main clock oscillator frequency	4		16	MHz
$f_{(XRef)}$	Reference clock frequency	2		4	MHz
$f_{(PLL)}$	PLL clock oscillator frequency	96		128	MHz
$f_{(Base)}$	Base clock frequency			64	MHz
$t_{c(Base)}$	Base clock cycle time	15.625			ns
$f_{(CPU)}$	CPU operating frequency			64	MHz
$t_{c(CPU)}$	CPU clock cycle time	15.625			ns
$f_{(BCLK)}$	Peripheral bus clock operating frequency			32	MHz
$t_{c(BCLK)}$	Peripheral bus clock cycle time	31.25			ns
$f_{(PER)}$	Peripheral clock source frequency			32	MHz
$f_{(XCIN)}$	Sub clock oscillator frequency		32.768	62.5	kHz

Note:

1. The device is operationally guaranteed under these operating conditions.



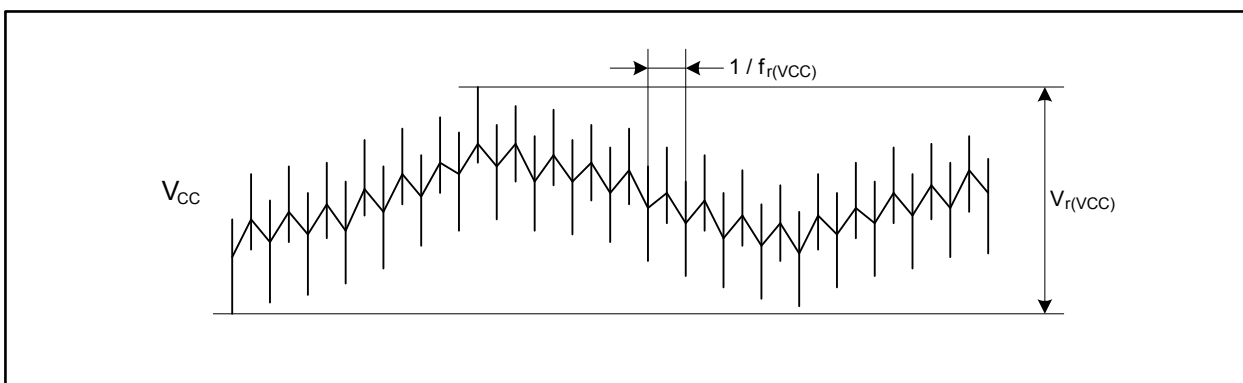
**Figure 5.1 Clock Cycle Time**

**Table 5.6 Operating Conditions (5/5)**  
**( $V_{CC} = 3.0$  to  $5.5$  V,  $V_{SS} = 0$  V, and  $T_a = T_{opr}$ , unless otherwise noted) (1)**

Symbol	Characteristic	Value			Unit
		Min.	Typ.	Max.	
$V_{r(VCC)}$	Allowable ripple voltage	$V_{CC} = 5.0$ V		0.5	Vp-p
		$V_{CC} = 3.0$ V		0.3	Vp-p
$dV_{r(VCC)}/dt$	Ripple voltage gradient	$V_{CC} = 5.0$ V		$\pm 0.3$	V/ms
		$V_{CC} = 3.0$ V		$\pm 0.3$	V/ms
$f_{r(VCC)}$	Allowable ripple frequency			10	kHz

Note:

1. The device is operationally guaranteed under these operating conditions.



**Figure 5.2 Ripple Waveform**

**Table 5.7 Electrical Characteristics of RAM**  
 ( $V_{CC} = 3.0$  to  $5.5$  V,  $V_{SS} = 0$  V, and  $T_a = T_{opr}$ , unless otherwise noted)

Symbol	Characteristic	Measurement Condition	Value			Unit
			Min.	Typ.	Max.	
$V_{RDR}$	RAM data retention voltage	In stop mode	2.0			V

**Table 5.8 Electrical Characteristics of Flash Memory**  
 ( $V_{CC} = 3.0$  to  $5.5$  V,  $V_{SS} = 0$  V, and  $T_a = T_{opr}$ , unless otherwise noted)

Symbol	Characteristic		Value			Unit
			Min.	Typ.	Max.	
—	Program/erase cycles (1)	Program area	1000			Cycles
		Data area	10000			Cycles
—	4-word program time	Program area		150	900	$\mu$ s
		Data area		300	1700	$\mu$ s
—	Lock bit program time	Program area		70	500	$\mu$ s
		Data area		140	1000	$\mu$ s
—	Block erasure time	4-Kbyte block		0.12	3.0	s
		32-Kbyte block		0.17	3.0	s
		64-Kbyte block		0.20	3.0	s
$t_{SUSP}$	Suspend latency			250	$\mu$ s	
—	Data retention (2)	$T_a = 55^\circ\text{C}$ (3)	10			Years

## Notes:

## 1. Program/erase definition

This value represents the number of erasures per block.

When the number of program/erase cycles is n, each block can be erased n times.

For example, if a 4-word write is performed in 512 different addresses in the 4-Kbyte block A and then the block is erased, this is counted as a single program/erase operation.

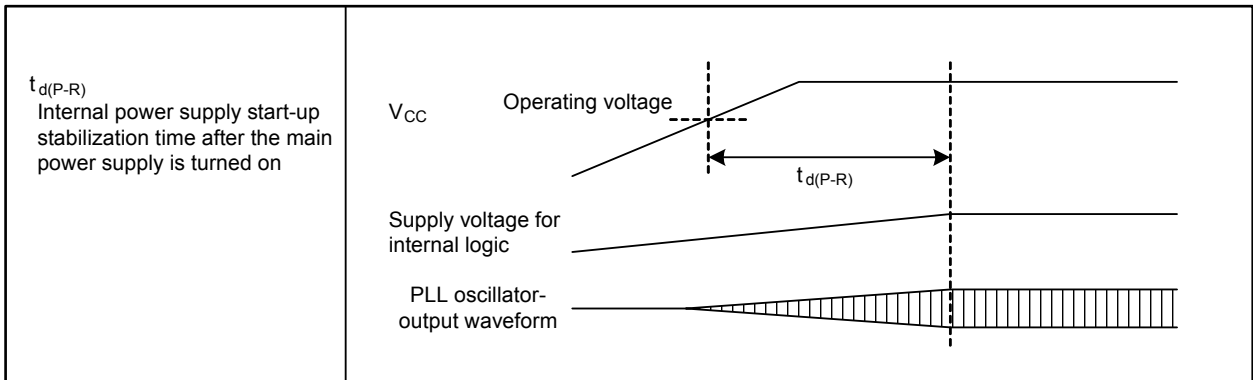
However, the same address cannot be written to more than once per erasure (overwrite disabled).

## 2. Data retention includes periods when no supply voltage is applied and no clock is provided.

## 3. Contact a Renesas Electronics sales office for data retention times other than the above condition.

**Table 5.9 Power Supply Circuit Timing Characteristics**  
 ( $V_{CC} = 3.0$  to  $5.5$  V,  $V_{SS} = 0$  V, and  $T_a = T_{opr}$ , unless otherwise noted)

Symbol	Characteristic	Measurement Condition	Value			Unit
			Min.	Typ.	Max.	
$t_{d(P-R)}$	Internal power supply start-up stabilization time after the main power supply is turned on				2	ms



**Figure 5.3 Power Supply Circuit Timing**

**Table 5.10 Electrical Characteristics of Voltage Regulator for Internal Logic**  
 ( $V_{CC} = 3.0$  to  $5.5$  V,  $V_{SS} = 0$  V, and  $T_a = T_{opr}$ , unless otherwise noted)

Symbol	Characteristics	Measurement Condition	Value			Unit
			Min.	Typ.	Max.	
$V_{VDC1}$	Output voltage			1.5		V

**Table 5.11 Electrical Characteristics of Low Voltage Detector**  
 ( $V_{CC} = 4.2$  to  $5.5$  V,  $V_{SS} = 0$  V, and  $T_a = T_{opr}$ , unless otherwise noted)

Symbol	Characteristics	Measurement Condition	Value			Unit
			Min.	Typ.	Max.	
$\Delta V_{det}$	Detected voltage error				$\pm 0.3$	V
$V_{det(R)} - V_{det(F)}$	Hysteresis width		0			V
—	Self-consuming current	$V_{CC} = 5.0$ V, low voltage detector enabled		4		$\mu A$
$t_{d(E-A)}$	Operation start time of low voltage detector				150	$\mu s$

**Table 5.12 Electrical Characteristics of Oscillator**  
 ( $V_{CC} = 3.0$  to  $5.5$  V,  $V_{SS} = 0$  V, and  $T_a = T_{opr}$ , unless otherwise noted)

Symbol	Characteristics	Measurement Condition	Value			Unit
			Min.	Typ.	Max.	
$f_{SO(PLL)}$	PLL clock self-oscillation frequency		35	55	80	MHz
$t_{LOCK(PLL)}$	PLL lock time (1)				1	ms
$t_{jitter(p-p)}$	PLL jitter period (p-p)				2.0	ns
$f_{(OCO)}$	On-chip oscillator frequency		62.5	125	250	kHz

Note:

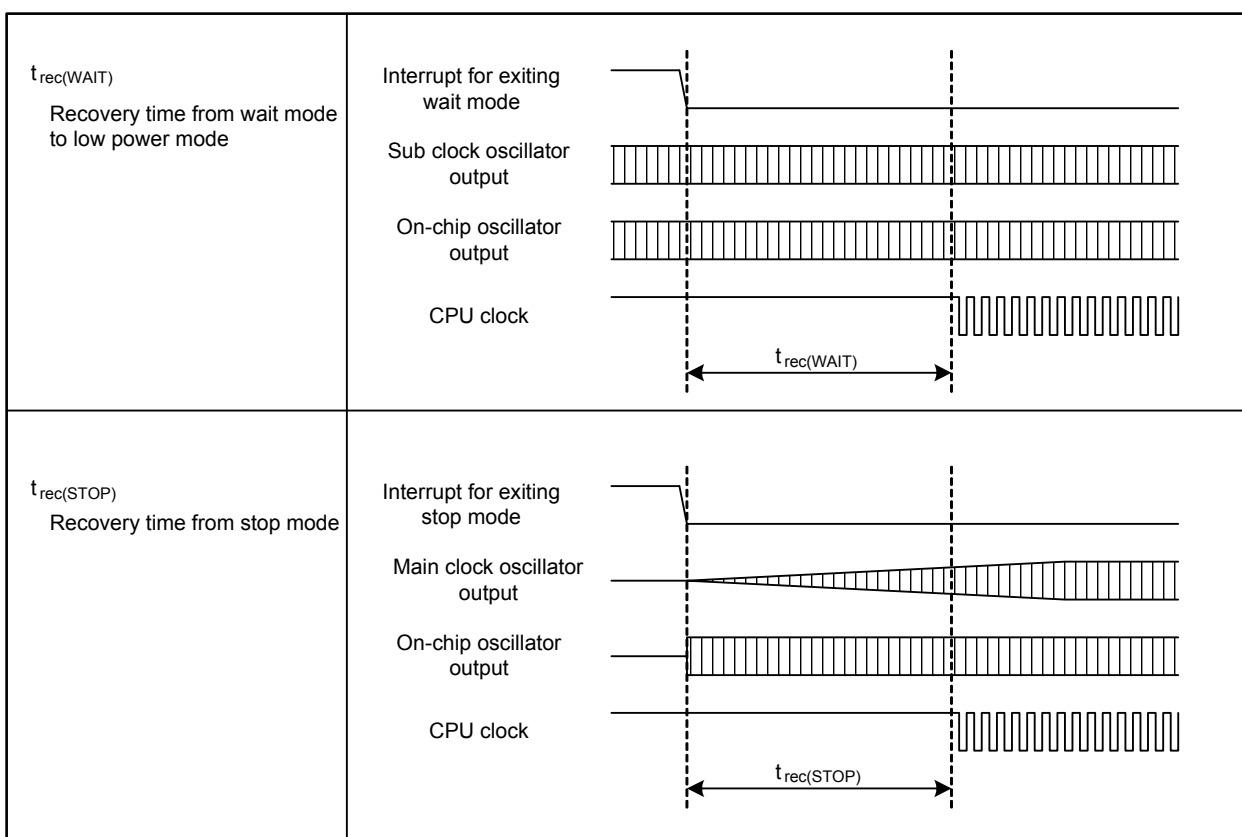
1. This value is applicable only when the main clock oscillation is stable.

**Table 5.13 Electrical Characteristics of Clock Circuitry**  
 ( $V_{CC} = 3.0$  to  $5.5$  V,  $V_{SS} = 0$  V, and  $T_a = T_{opr}$ , unless otherwise noted)

Symbol	Characteristics	Measurement Condition	Value			Unit
			Min.	Typ.	Max.	
$t_{rec(WAIT)}$	Recovery time from wait mode to low power mode				225	$\mu$ s
$t_{rec(STOP)}$	Recovery time from stop mode (1)				225	$\mu$ s

Note:

1. The recovery time from stop mode does not include the main clock oscillation stabilization time. The CPU starts operating before the oscillator is stabilized.



**Figure 5.4 Clock Circuit Timing**

Timing Requirements ( $V_{CC} = 3.0$  to  $5.5$  V,  $V_{SS} = 0$  V, and  $T_a = T_{opr}$ , unless otherwise noted)

Table 5.14 Flash Memory CPU Rewrite Mode Timing

Symbol	Characteristics	Value		Unit
		Min.	Max.	
$t_{cR}$	Read cycle time	200		ns
$t_{su(S-R)}$	Chip-select setup time before read	200		ns
$t_{h(R-S)}$	Chip-select hold time after read	0		ns
$t_{su(A-R)}$	Address setup time before read	200		ns
$t_{h(R-A)}$	Address hold time after read	0		ns
$t_{w(R)}$	Read pulse width	100		ns
$t_{cW}$	Write cycle time	200		ns
$t_{su(S-W)}$	Chip-select setup time before write	0		ns
$t_{h(W-S)}$	Chip-select hold time after write	30		ns
$t_{su(A-W)}$	Address setup time before write	0		ns
$t_{h(W-A)}$	Address hold time after write	30		ns
$t_{w(W)}$	Write pulse width	50		ns

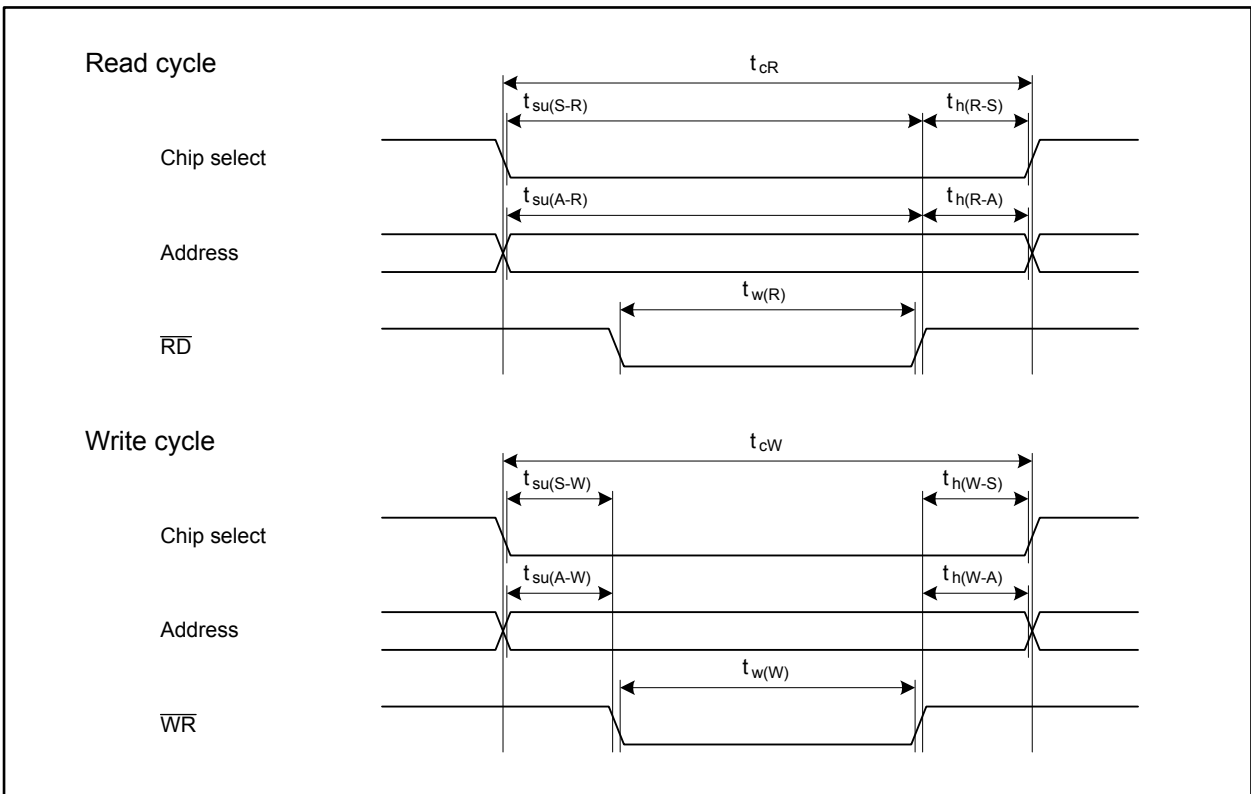


Figure 5.5 Flash Memory CPU Rewrite Mode Timing



$V_{CC} = 5\text{ V}$

**Table 5.15 Electrical Characteristics (1/3)****( $V_{CC} = 4.2$  to  $5.5\text{ V}$ ,  $V_{SS} = 0\text{ V}$ ,  $T_a = T_{opr}$ , and  $f_{(CPU)} = 64\text{ MHz}$ , unless otherwise noted)**

Symbol	Characteristic		Measurement Condition	Value			Unit
				Min.	Typ.	Max.	
$V_{OH}$	High level output voltage	P0_0 to P0_7, P1_0 to P1_7, P2_0 to P2_7, P3_0 to P3_7, P4_0 to P4_7, P5_0 to P5_7, P6_0 to P6_7, P7_0 to P7_7, P8_0 to P8_4, P8_6, P8_7, P9_0 to P9_7, P10_0 to P10_7, P11_0 to P11_7, P12_0 to P12_7, P13_0 to P13_7, P14_3 to P14_7, P15_0 to P15_7, P16_0 to P16_7, P17_0 to P17_7, P18_0 to P18_7, P19_0 to P19_7 (1)	$I_{OH} = -5\text{ mA}$	$V_{CC} - 2.0$		$V_{CC}$	V
		P0_0 to P0_7, P1_0 to P1_7, P2_0 to P2_7, P3_0 to P3_7, P4_0 to P4_7, P5_0 to P5_7, P6_0 to P6_7, P7_0 to P7_7, P8_0 to P8_4, P8_6, P8_7, P9_0 to P9_7, P10_0 to P10_7, P11_0 to P11_7, P12_0 to P12_7, P13_0 to P13_7, P14_3 to P14_7, P15_0 to P15_7, P16_0 to P16_7, P17_0 to P17_7, P18_0 to P18_7, P19_0 to P19_7 (1)	$I_{OH} = -200\text{ }\mu\text{A}$	$V_{CC} - 0.3$		$V_{CC}$	V
$V_{OL}$	Low level output voltage	P0_0 to P0_7, P1_0 to P1_7, P2_0 to P2_7, P3_0 to P3_7, P4_0 to P4_7, P5_0 to P5_7, P6_0 to P6_7, P7_0 to P7_7, P8_0 to P8_4, P8_6, P8_7, P9_0 to P9_7, P10_0 to P10_7, P11_0 to P11_7, P12_0 to P12_7, P13_0 to P13_7, P14_3 to P14_7, P15_0 to P15_7, P16_0 to P16_7, P17_0 to P17_7, P18_0 to P18_7, P19_0 to P19_7 (1)	$I_{OL} = 5\text{ mA}$			2.0	V
		P0_0 to P0_7, P1_0 to P1_7, P2_0 to P2_7, P3_0 to P3_7, P4_0 to P4_7, P5_0 to P5_7, P6_0 to P6_7, P7_0 to P7_7, P8_0 to P8_4, P8_6, P8_7, P9_0 to P9_7, P10_0 to P10_7, P11_0 to P11_7, P12_0 to P12_7, P13_0 to P13_7, P14_3 to P14_7, P15_0 to P15_7, P16_0 to P16_7, P17_0 to P17_7, P18_0 to P18_7, P19_0 to P19_7 (1)	$I_{OL} = 200\text{ }\mu\text{A}$			0.45	V

Note:

1. Ports P16 to P19 are available in the 176-pin package only.

$$V_{CC} = 5 V$$

Table 5.16 Electrical Characteristics (2/3)

 $(V_{CC} = 4.2 \text{ to } 5.5 V, V_{SS} = 0 V, T_a = T_{opr}, \text{ and } f_{(CPU)} = 64 \text{ MHz, unless otherwise noted})$ 

Symbol	Characteristic	Measurement Condition	Value			Unit	
			Min.	Typ.	Max.		
$V_{T+} - V_{T-}$	Hysteresis	HOLD, RDY, NMI, INT0 to INT8, K10 to K13, TA0IN to TA4IN, TA0OUT to TA4OUT, TB0IN to TB5IN, CTS0 to CTS10, CLK0 to CLK10, RXD0 to RXD10, SCL0 to SCL6, SDA0 to SDA6, SS0 to SS6, SRXD0 to SRXD6, ADTRG, IIO0_0 to IIO0_7, IIO1_0 to IIO1_7, UD0A, UD0B, UD1A, UD1B, ISCLK2, ISRXD2, IEIN, MSCL, MSDA, CAN0IN, CAN0WU		0.2	1.0	V	
		RESET		0.2	1.8	V	
$I_{IH}$	High level input current	XIN, RESET, CNVSS, NSD, P0_0 to P0_7, P1_0 to P1_7, P2_0 to P2_7, P3_0 to P3_7, P4_0 to P4_7, P5_0 to P5_7, P6_0 to P6_7, P7_0 to P7_7, P8_0 to P8_7, P9_0 to P9_7, P10_0 to P10_7, P11_0 to P11_7, P12_0 to P12_7, P13_0 to P13_7, P14_1, P14_3 to P14_7, P15_0 to P15_7, P16_0 to P16_7, P17_0 to P17_7, P18_0 to P18_7, P19_0 to P19_7 (1)	$V_I = 5 V$		5.0	$\mu A$	
$I_{IL}$	Low level input current	XIN, RESET, CNVSS, NSD, P0_0 to P0_7, P1_0 to P1_7, P2_0 to P2_7, P3_0 to P3_7, P4_0 to P4_7, P5_0 to P5_7, P6_0 to P6_7, P7_0 to P7_7, P8_0 to P8_7, P9_0 to P9_7, P10_0 to P10_7, P11_0 to P11_7, P12_0 to P12_7, P13_0 to P13_7, P14_1, P14_3 to P14_7, P15_0 to P15_7, P16_0 to P16_7, P17_0 to P17_7, P18_0 to P18_7, P19_0 to P19_7 (1)	$V_I = 0 V$		-5.0	$\mu A$	
$R_{PULLUP}$	Pull-up resistor	P0_0 to P0_7, P1_0 to P1_7, P2_0 to P2_7, P3_0 to P3_7, P5_0 to P5_3, P8_4, P8_6, P8_7, P9_0 to P9_7, P10_0 to P10_7, P11_0 to P11_7, P13_0 to P13_7, P14_1, P14_3 to P14_7, P15_0 to P15_7, P17_4 to P17_7, P18_0 to P18_7, P19_0 to P19_7 (1)	$V_I = 0 V$	30	50	170	$k\Omega$
$R_{fXIN}$	Feedback resistor	XIN		1.5		$M\Omega$	
$R_{fXCIN}$	Feedback resistor	XCIN		15		$M\Omega$	

Note:

- Ports P16 to P19 are available in the 176-pin package only.

$$V_{CC} = 5 V$$

**Table 5.17 Electrical Characteristics (3/3)**  
**( $V_{CC} = 4.2$  to  $5.5 V$ ,  $V_{SS} = 0 V$ , and  $T_a = T_{opr}$ , unless otherwise noted)**

Symbol	Characteristic	Measurement Condition	Value			Unit	
			Min.	Typ.	Max.		
$I_{CC}$	Power supply current	In single-chip mode, output pins are left open and others are connected to $V_{SS}$	$f_{(CPU)} = 64 \text{ MHz}$ , $f_{(BCLK)} = 32 \text{ MHz}$ , $f_{(XIN)} = 8 \text{ MHz}$ , Active: XIN, PLL, Stopped: XCIN, OCO		45	60	mA
			$f_{(CPU)} = f_{SO(PLL)}/24 \text{ MHz}$ , Active: PLL (self-oscillation), Stopped: XIN, XCIN, OCO		12		mA
			$f_{(CPU)} = f_{(BCLK)} = f_{(XIN)}/256 \text{ MHz}$ , $f_{(XIN)} = 8 \text{ MHz}$ , Active: XIN, Stopped: PLL, XCIN, OCO		1.2		mA
			$f_{(CPU)} = f_{(BCLK)} = 32.768 \text{ kHz}$ , Active: XCIN, Stopped: XIN, PLL, OCO, Main regulator: shutdown		220		$\mu\text{A}$
			$f_{(CPU)} = f_{(BCLK)} = f_{(OCO)}/4 \text{ kHz}$ , Active: OCO, Stopped: XIN, PLL, XCIN, Main regulator: shutdown		230		$\mu\text{A}$
			$f_{(CPU)} = f_{(BCLK)} = f_{(XIN)}/256 \text{ MHz}$ , $f_{(XIN)} = 8 \text{ MHz}$ , Active: XIN, Stopped: PLL, XCIN, OCO, $T_a = 25^\circ\text{C}$ , Wait mode		960	1600	$\mu\text{A}$
			$f_{(CPU)} = f_{(BCLK)} = 32.768 \text{ kHz}$ , Active: XCIN, Stopped: XIN, PLL, OCO, Main regulator: shutdown, $T_a = 25^\circ\text{C}$ , Wait mode		8	140	$\mu\text{A}$
			$f_{(CPU)} = f_{(BCLK)} = f_{(OCO)}/4 \text{ kHz}$ , Active: OCO, Stopped: XIN, PLL, XCIN, Main regulator: shutdown, $T_a = 25^\circ\text{C}$ , Wait mode		10	150	$\mu\text{A}$
			Stopped: all clocks, Main regulator: shutdown, $T_a = 25^\circ\text{C}$		5	70	$\mu\text{A}$

$$V_{CC} = 5 \text{ V}$$

**Table 5.18 A/D Conversion Characteristics ( $V_{CC} = AV_{CC} = V_{REF} = 4.2$  to  $5.5 \text{ V}$ ,  $V_{SS} = AV_{SS} = 0 \text{ V}$ ,  $T_a = T_{opr}$ , and  $f_{(BCLK)} = 32 \text{ MHz}$ , unless otherwise noted)**

Symbol	Characteristic	Measurement Condition	Value			Unit
			Min.	Typ.	Max.	
—	Resolution	$V_{REF} = V_{CC}$			10	Bits
—	Absolute error	$V_{REF} = V_{CC} = 5 \text{ V}$ AN_0 to AN_7, AN0_0 to AN0_7, AN2_0 to AN2_7, AN15_0 to AN15_7, ANEX0, ANEX1			$\pm 3$	LSB
					$\pm 7$	LSB
INL	Integral non-linearity error	$V_{REF} = V_{CC} = 5 \text{ V}$ AN_0 to AN_7, AN0_0 to AN0_7, AN2_0 to AN2_7, AN15_0 to AN15_7, ANEX0, ANEX1			$\pm 3$	LSB
					$\pm 7$	LSB
DNL	Differential non-linearity error			$\pm 1$	LSB	
—	Offset error			$\pm 3$	LSB	
—	Gain error			$\pm 3$	LSB	
$R_{LADDER}$	Resistor ladder	$V_{REF} = V_{CC}$	4		20	$k\Omega$
$t_{CONV}$	Conversion time (10 bits)	$\phi_{AD} = 16 \text{ MHz}$ , with sample and hold function	2.06			$\mu\text{s}$
		$\phi_{AD} = 16 \text{ MHz}$ , without sample and hold function	3.69			$\mu\text{s}$
$t_{CONV}$	Conversion time (8 bits)	$\phi_{AD} = 16 \text{ MHz}$ , with sample and hold function	1.75			$\mu\text{s}$
		$\phi_{AD} = 16 \text{ MHz}$ , without sample and hold function	3.06			$\mu\text{s}$
$t_{SAMP}$	Sampling time	$\phi_{AD} = 16 \text{ MHz}$	0.188			$\mu\text{s}$
$V_{IA}$	Analog input voltage		0		$V_{REF}$	V
$\phi_{AD}$	Operating clock frequency	Without sample and hold function	0.25		16	MHz
		With sample and hold function	1		16	MHz
$R_{PU(AST)}$	Pull-up resistor for open-circuit detection		5	10	15	$k\Omega$
$R_{PD(AST)}$	Pull-down resistor for open-circuit detection		5	10	15	$k\Omega$

$$V_{CC} = 5 \text{ V}$$

**Table 5.19 D/A Conversion Characteristics ( $V_{CC} = AV_{CC} = V_{REF} = 4.2$  to  $5.5 \text{ V}$ ,  $V_{SS} = AV_{SS} = 0 \text{ V}$ , and  $T_a = T_{opr}$ , unless otherwise noted)**

Symbol	Characteristic	Measurement Condition	Value			Unit
			Min.	Typ.	Max.	
—	Resolution				8	Bits
—	Absolute precision				1.0	%
$t_s$	Settling time				3	$\mu\text{s}$
$R_O$	Output resistance		4	10	20	$\text{k}\Omega$
$I_{VREF}$	Reference input current	See Note 1			1.5	mA

Note:

1. One D/A converter is used. The DAi register ( $i = 0, 1$ ) of the other unused converter is set to 00h. The resistor ladder for the A/D converter is not considered.  
Even when the VCUT bit in the AD0CON1 register is set to 0 ( $V_{REF}$  disconnected),  $I_{VREF}$  is supplied.

$$V_{CC} = 5 \text{ V}$$

Timing Requirements ( $V_{CC} = 4.2$  to  $5.5 \text{ V}$ ,  $V_{SS} = 0 \text{ V}$ , and  $T_a = T_{opr}$ , unless otherwise noted)

**Table 5.20 External Clock Input**

Symbol	Characteristic	Value		Unit
		Min.	Max.	
$t_{C(X)}$	External clock input period	62.5	250	ns
$t_{W(XH)}$	External clock input high level pulse width	25		ns
$t_{W(XL)}$	External clock input low level pulse width	25		ns
$t_{R(X)}$	External clock input rise time		5	ns
$t_{F(X)}$	External clock input fall time		5	ns
$t_W / t_C$	External clock input duty	40	60	%

**Table 5.21 External Bus Timing**

Symbol	Characteristic	Value		Unit
		Min.	Max.	
$t_{SU(D-R)}$	Data setup time before read	40		ns
$t_{H(R-D)}$	Data hold time after read	0		ns
$t_{DIS(R-D)}$	Data disable time after read		$0.5 \times t_{C(\text{Base})} + 10$	ns

$$V_{CC} = 5 \text{ V}$$

Timing Requirements ( $V_{CC} = 4.2$  to  $5.5 \text{ V}$ ,  $V_{SS} = 0 \text{ V}$ , and  $T_a = T_{opr}$ , unless otherwise noted)

**Table 5.22 Timer A Input (counting input in event counter mode)**

Symbol	Characteristic	Value		Unit
		Min.	Max.	
$t_{C(TA)}$	TAiIN input clock cycle time	200		ns
$t_{W(TAH)}$	TAiIN input high level pulse width	80		ns
$t_{W(TAL)}$	TAiIN input low level pulse width	80		ns

**Table 5.23 Timer A Input (gating input in timer mode)**

Symbol	Characteristic	Value		Unit
		Min.	Max.	
$t_{C(TA)}$	TAiIN input clock cycle time	400		ns
$t_{W(TAH)}$	TAiIN input high level pulse width	180		ns
$t_{W(TAL)}$	TAiIN input low level pulse width	180		ns

**Table 5.24 Timer A Input (external trigger input in one-shot timer mode)**

Symbol	Characteristic	Value		Unit
		Min.	Max.	
$t_{C(TA)}$	TAiIN input clock cycle time	200		ns
$t_{W(TAH)}$	TAiIN input high level pulse width	80		ns
$t_{W(TAL)}$	TAiIN input low level pulse width	80		ns

**Table 5.25 Timer A Input (external trigger input in pulse-width modulation mode)**

Symbol	Characteristic	Value		Unit
		Min.	Max.	
$t_{W(TAH)}$	TAiIN input high level pulse width	80		ns
$t_{W(TAL)}$	TAiIN input low level pulse width	80		ns

**Table 5.26 Timer A Input (increment/decrement switching input in event counter mode)**

Symbol	Characteristic	Value		Unit
		Min.	Max.	
$t_{C(UP)}$	TAiOUT input clock cycle time	2000		ns
$t_{W(UPH)}$	TAiOUT input high level pulse width	1000		ns
$t_{W(UPL)}$	TAiOUT input low level pulse width	1000		ns
$t_{Su(UP-TIN)}$	TAiOUT input setup time	400		ns
$t_h(TIN-UP)$	TAiOUT input hold time	400		ns

$$V_{CC} = 5 \text{ V}$$

Timing Requirements ( $V_{CC} = 4.2$  to  $5.5 \text{ V}$ ,  $V_{SS} = 0 \text{ V}$ , and  $T_a = T_{opr}$ , unless otherwise noted)

**Table 5.27 Timer B Input (counting input in event counter mode)**

Symbol	Characteristic	Value		Unit
		Min.	Max.	
$t_{c(TB)}$	TBiIN input clock cycle time (one edge counting)	200		ns
$t_{W(TBH)}$	TBiIN input high level pulse width (one edge counting)	80		ns
$t_{W(TBL)}$	TBiIN input low level pulse width (one edge counting)	80		ns
$t_{c(TB)}$	TBiIN input clock cycle time (both edges counting)	200		ns
$t_{W(TBH)}$	TBiIN input high level pulse width (both edges counting)	80		ns
$t_{W(TBL)}$	TBiIN input low level pulse width (both edges counting)	80		ns

**Table 5.28 Timer B Input (pulse period measure mode)**

Symbol	Characteristic	Value		Unit
		Min.	Max.	
$t_{c(TB)}$	TBiIN input clock cycle time	400		ns
$t_{W(TBH)}$	TBiIN input high level pulse width	180		ns
$t_{W(TBL)}$	TBiIN input low level pulse width	180		ns

**Table 5.29 Timer B Input (pulse-width measure mode)**

Symbol	Characteristic	Value		Unit
		Min.	Max.	
$t_{c(TB)}$	TBiIN input clock cycle time	400		ns
$t_{W(TBH)}$	TBiIN input high level pulse width	180		ns
$t_{W(TBL)}$	TBiIN input low level pulse width	180		ns



$$V_{CC} = 5 \text{ V}$$

Timing Requirements ( $V_{CC} = 4.2$  to  $5.5 \text{ V}$ ,  $V_{SS} = 0 \text{ V}$ , and  $T_a = T_{opr}$ , unless otherwise noted)

**Table 5.30 Serial Interface**

Symbol	Characteristic	Value		Unit
		Min.	Max.	
$t_{c(CK)}$	CLKi input clock cycle time	200		ns
$t_{w(CKH)}$	CLKi input high level pulse width	80		ns
$t_{w(CKL)}$	CLKi input low level pulse width	80		ns
$t_{su(D-C)}$	RXD <sub>i</sub> input setup time	80		ns
$t_{h(C-D)}$	RXD <sub>i</sub> input hold time	90		ns

**Table 5.31 A/D Trigger Input**

Symbol	Characteristic	Value		Unit
		Min.	Max.	
$t_{w(ADH)}$	ADTRG input high level pulse width Hardware trigger input high level pulse width	$\frac{3}{\phi_{AD}}$		ns
$t_{w(ADL)}$	ADTRG input low level pulse width Hardware trigger input high level pulse width	125		ns

**Table 5.32 External Interrupt  $\overline{INT}_i$  Input**

Symbol	Characteristic		Value		Unit
			Min.	Max.	
$t_{w(INH)}$	$\overline{INT}_i$ input high level pulse width	Edge sensitive	250		ns
		Level sensitive	$t_{c(CPU)} + 200$		ns
$t_{w(INL)}$	$\overline{INT}_i$ input low level pulse width	Edge sensitive	250		ns
		Level sensitive	$t_{c(CPU)} + 200$		ns

**Table 5.33 Intelligent I/O**

Symbol	Characteristic	Value		Unit
		Min.	Max.	
$t_{c(ISCLK2)}$	ISCLK2 input clock cycle time	600		ns
$t_{w(ISCLK2H)}$	ISCLK2 input high level pulse width	270		ns
$t_{w(ISCLK2L)}$	ISCLK2 input low level pulse width	270		ns
$t_{su(RXD-ISCLK2)}$	ISRXD2 input setup time	150		ns
$t_{h(ISCLK2-RXD)}$	ISRXD2 input hold time	100		ns

$$V_{CC} = 5 \text{ V}$$

Timing Requirements ( $V_{CC} = 4.2$  to  $5.5 \text{ V}$ ,  $V_{SS} = 0 \text{ V}$ , and  $T_a = T_{opr}$ , unless otherwise noted)

**Table 5.34 Multi-master I<sup>2</sup>C-bus Interface**

Symbol	Characteristic	Value				Unit
		Standard-mode		Fast-mode		
		Min.	Max.	Min.	Max.	
$t_{w(SCLH)}$	MSCL input high level pulse width	600		600		ns
$t_{w(SCLL)}$	MSCL input low level pulse width	600		600		ns
$t_{r(SCL)}$	MSCL input rise time		1000		300	ns
$t_{f(SCL)}$	MSCL input fall time		300		300	ns
$t_{r(SDA)}$	MSDA input rise time		1000		300	ns
$t_{f(SDA)}$	MSDA input fall time		300		300	ns
$t_{h(SDA-SCL)S}$	MSCL high level hold time after START condition/repeated START condition	(1)		$2 \times t_{c(\phi IIC)} + 40$		ns
$t_{su(SCL-SDA)P}$	MSCL high level setup time for repeated START condition/STOP condition	(1)		$2 \times t_{c(\phi IIC)} + 40$		ns
$t_{w(SDAH)P}$	MSDA high level pulse width after STOP condition	(1)		$4 \times t_{c(\phi IIC)} + 40$		ns
$t_{su(SDA-SCL)}$	MSDA input setup time	100		100		ns
$t_{h(SCL-SDA)}$	MSDA input hold time	0		0		ns

Note:

- The value is calculated by the following formulas based on a value SSC by setting bits SSC4 to SSC0 in the I2CSSCR register:

$$t_{h(SDA-SCL)S} = SSC \div 2 \times t_{c(\phi IIC)} + 40 \text{ [ns]}$$

$$t_{su(SCL-SDA)P} = (SSC \div 2 + 1) \times t_{c(\phi IIC)} + 40 \text{ [ns]}$$

$$t_{w(SDAH)P} = (SSC + 1) \times t_{c(\phi IIC)} + 40 \text{ [ns]}$$

$$V_{CC} = 5 V$$

Switching Characteristics ( $V_{CC} = 4.2$  to  $5.5 V$ ,  $V_{SS} = 0 V$ , and  $T_a = T_{opr}$ , unless otherwise noted)

**Table 5.35 External Bus Timing (separate bus)**

Symbol	Characteristic	Measurement Condition	Value		Unit
			Min.	Max.	
$t_{su(S-R)}$	Chip-select setup time before read	Refer to Figure 5.6	(1)		ns
$t_{h(R-S)}$	Chip-select hold time after read		$t_{c(Base)} - 15$		ns
$t_{su(A-R)}$	Address setup time before read		(1)		ns
$t_{h(R-A)}$	Address hold time after read		$t_{c(Base)} - 15$		ns
$t_{w(R)}$	Read pulse width		(1)		ns
$t_{su(S-W)}$	Chip-select setup time before write		(1)		ns
$t_{h(W-S)}$	Chip-select hold time after write		$1.5 \times t_{c(Base)} - 15$		ns
$t_{su(A-W)}$	Address setup time before write		(1)		ns
$t_{h(W-A)}$	Address hold time after write		$1.5 \times t_{c(Base)} - 15$		ns
$t_{w(W)}$	Write pulse width		(1)		ns
$t_{su(D-W)}$	Data setup time before write		(1)		ns
$t_{h(W-D)}$	Data hold time after write		0		ns

Note:

- The value is calculated using the formulas below based on the base clock cycles ( $t_{c(Base)}$ ) and respective cycles of  $T_{su(A-R)}$ ,  $T_{w(R)}$ ,  $T_{su(A-W)}$ , and  $T_{w(W)}$  set by registers EBC0 to EBC3. If the calculation results in a negative value, modify the value to be set. For details on how to set values, refer to the User's manual.

$$t_{su(S-R)} = t_{su(A-R)} = T_{su(A-R)} \times t_{c(Base)} - 15 \text{ [ns]}$$

$$t_{w(R)} = T_{w(R)} \times t_{c(Base)} - 10 \text{ [ns]}$$

$$t_{su(S-W)} = t_{su(A-W)} = T_{su(A-W)} \times t_{c(Base)} - 15 \text{ [ns]}$$

$$t_{w(W)} = t_{su(D-W)} = T_{w(W)} \times t_{c(Base)} - 10 \text{ [ns]}$$

$$V_{CC} = 5 V$$

Switching Characteristics ( $V_{CC} = 4.2$  to  $5.5 V$ ,  $V_{SS} = 0 V$ , and  $T_a = T_{opr}$ , unless otherwise noted)

**Table 5.36 External Bus Timing (multiplexed bus)**

Symbol	Characteristic	Measurement Condition	Value		Unit
			Min.	Max.	
$t_{su(S-ALE)}$	Chip-select setup time before ALE	Refer to Figure 5.6	(1)		ns
$t_{h(R-S)}$	Chip-select hold time after read		$1.5 \times t_{c(Base)} - 15$		ns
$t_{su(A-ALE)}$	Address setup time before ALE		(1)		ns
$t_{h(ALE-A)}$	Address hold time after ALE		$t_{c(Base)} - 5$ (2)		ns
$t_{h(R-A)}$	Address hold time after read		$1.5 \times t_{c(Base)} - 15$		ns
$t_{d(ALE-R)}$	ALE-read delay time		$t_{c(Base)} - 5$ (2)	$t_{c(Base)} + 10$ (2)	ns
$t_{w(ALE)}$	ALE pulse width		(1)		ns
$t_{dis(R-A)}$	Address disable time after read			8	ns
$t_{w(R)}$	Read pulse width		(1)		ns
$t_{h(W-S)}$	Chip-select hold time after write		$1.5 \times t_{c(Base)} - 15$		ns
$t_{h(W-A)}$	Address hold time after write		$1.5 \times t_{c(Base)} - 15$		ns
$t_{d(ALE-W)}$	ALE-write delay time		$t_{c(Base)} - 5$ (2)	$t_{c(Base)} + 10$ (2)	ns
$t_{w(W)}$	Write pulse width		(1)		ns
$t_{su(D-W)}$	Data setup time before write		(1)		ns
$t_{h(W-D)}$	Data hold time after write		$0.5 \times t_{c(Base)}$		ns

Notes:

- The value is calculated using the formulas below based on the base clock cycles ( $t_{c(Base)}$ ) and respective cycles of  $T_{su(A-R)}$ ,  $T_w(R)$ ,  $T_{su(A-W)}$ , and  $T_w(W)$  set by registers EBC0 to EBC3. If the calculation results in a negative value, modify the value to be set. For details on how to set values, refer to the User's manual.
 
$$t_{su(S-ALE)} = t_{su(A-ALE)} = t_{w(ALE)} = (T_{su(A-R)} - 1) \times t_{c(Base)} - 15 \text{ [ns]}$$
 (when  $T_{su(A-R)}$  is greater than 1)  

$$t_{su(S-ALE)} = t_{su(A-ALE)} = t_{w(ALE)} = 0.5 \times t_{c(Base)} - 15 \text{ [ns]}$$
 (when  $T_{su(A-R)}$  is 1)  

$$t_{w(R)} = T_w(R) \times t_{c(Base)} - 10 \text{ [ns]}$$
  

$$t_{w(W)} = t_{su(D-W)} = T_w(W) \times t_{c(Base)} - 10 \text{ [ns]}$$
- When  $T_{su(A-R)}$  is greater than 1 or  $T_{su(A-W)}$  is greater than 1. Change " $t_{c(Base)}$ " to " $0.5 \times t_{c(Base)}$ " when  $T_{su(A-R)}$  is 1 or  $T_{su(A-W)}$  is 1.

$$V_{CC} = 5 \text{ V}$$

Switching Characteristics ( $V_{CC} = 4.2$  to  $5.5 \text{ V}$ ,  $V_{SS} = 0 \text{ V}$ , and  $T_a = T_{opr}$ , unless otherwise noted)

**Table 5.37 Serial Interface**

Symbol	Characteristic	Measurement Condition	Value		Unit
			Min.	Max.	
$t_{d(C-Q)}$	TXDi output delay time	Refer to Figure 5.6		80	ns
$t_{h(C-Q)}$	TXDi output hold time		0		ns

**Table 5.38 Intelligent I/O**

Symbol	Characteristic	Measurement Condition	Value		Unit
			Min.	Max.	
$t_{d(ISTXD2)}$	ISTXD2 output delay time	Refer to Figure 5.6		180	ns
$t_{h(ISTXD2)}$	ISTXD2 output hold time		0		ns

**Table 5.39 Multi-master I<sup>2</sup>C-bus Interface (standard-mode)**

Symbol	Characteristic	Measurement Condition	Value		Unit
			Min.	Max.	
$t_{f(SCL)}$	MSCL output fall time	Refer to Figure 5.6	2		ns
$t_{f(SDA)}$	MSDA output fall time		2		ns
$t_{d(SDA-SCL)S}$	MSCL output delay time after START condition/repeated START condition		$20 \times t_{c(\phi IIC)} - 120$	$52 \times t_{c(\phi IIC)} - 40$	ns
$t_{d(SCL-SDA)P}$	Repeated START condition/STOP condition output delay time after MSCL becomes high		$20 \times t_{c(\phi IIC)} + 40$	$52 \times t_{c(\phi IIC)} + 120$	ns
$t_{d(SCL-SDA)}$	MSDA output delay time		$2 \times t_{c(\phi IIC)} + 40$	$3 \times t_{c(\phi IIC)} + 120$	ns

**Table 5.40 Multi-master I<sup>2</sup>C-bus Interface (fast-mode)**

Symbol	Characteristic	Measurement Condition	Value		Unit
			Min.	Max.	
$t_{f(SCL)}$	MSCL output fall time	Refer to Figure 5.6	2 (1)		ns
$t_{f(SDA)}$	MSDA output fall time		2 (1)		ns
$t_{d(SDA-SCL)S}$	MSCL output delay time after START condition/repeated START condition		$10 \times t_{c(\phi IIC)} - 120$	$26 \times t_{c(\phi IIC)} - 40$	ns
$t_{d(SCL-SDA)P}$	Repeated START condition/STOP condition output delay time after MSCL becomes high		$10 \times t_{c(\phi IIC)} + 40$	$26 \times t_{c(\phi IIC)} + 120$	ns
$t_{d(SCL-SDA)}$	MSDA output delay time		$2 \times t_{c(\phi IIC)} + 40$	$3 \times t_{c(\phi IIC)} + 120$	ns

Note:

- External circuits are required to satisfy the I<sup>2</sup>C-bus specification.

$$V_{CC} = 3.3 \text{ V}$$

**Table 5.41 Electrical Characteristics (1/3) ( $V_{CC} = 3.0$  to  $3.6 \text{ V}$ ,  $V_{SS} = 0 \text{ V}$ ,  $T_a = T_{opr}$ , and  $f_{(CPU)} = 64 \text{ MHz}$ , unless otherwise noted)**

Symbol	Characteristic		Measurement Condition	Value			Unit
				Min.	Typ.	Max.	
$V_{OH}$	High level output voltage	P0_0 to P0_7, P1_0 to P1_7, P2_0 to P2_7, P3_0 to P3_7, P4_0 to P4_7, P5_0 to P5_7, P6_0 to P6_7, P7_0 to P7_7, P8_0 to P8_4, P8_6, P8_7, P9_0 to P9_7, P10_0 to P10_7, P11_0 to P11_7, P12_0 to P12_7, P13_0 to P13_7, P14_3 to P14_7, P15_0 to P15_7, P16_0 to P16_7, P17_0 to P17_7, P18_0 to P18_7, P19_0 to P19_7 (1)	$I_{OH} = -1 \text{ mA}$	$V_{CC} - 0.6$		$V_{CC}$	V
$V_{OL}$	Low level output voltage	P0_0 to P0_7, P1_0 to P1_7, P2_0 to P2_7, P3_0 to P3_7, P4_0 to P4_7, P5_0 to P5_7, P6_0 to P6_7, P7_0 to P7_7, P8_0 to P8_4, P8_6, P8_7, P9_0 to P9_7, P10_0 to P10_7, P11_0 to P11_7, P12_0 to P12_7, P13_0 to P13_7, P14_3 to P14_7, P15_0 to P15_7, P16_0 to P16_7, P17_0 to P17_7, P18_0 to P18_7, P19_0 to P19_7 (1)	$I_{OL} = 1 \text{ mA}$			0.5	V

Note:

1. Ports P16 to P19 are available in the 176-pin package only.

$$V_{CC} = 3.3 \text{ V}$$

**Table 5.42 Electrical Characteristics (2/3) ( $V_{CC} = 3.0$  to  $3.6$  V,  $V_{SS} = 0$  V,  $T_a = T_{opr}$ , and  $f_{(CPU)} = 64$  MHz, unless otherwise noted)**

Symbol	Characteristic		Measurement Condition	Value			Unit
				Min.	Typ.	Max.	
$V_{T+} - V_{T-}$	Hysteresis	HOLD, RDY, NMI, INT0 to INT8, KI0 to KI3, TA0IN to TA4IN, TA0OUT to TA4OUT, TB0IN to TB5IN, CTS0 to CTS10, CLK0 to CLK10, RXD0 to RXD10, SCL0 to SCL6, SDA0 to SDA6, SS0 to SS6, SRXD0 to SRXD6, ADTRG, IIO0_0 to IIO0_7, IIO1_0 to IIO1_7, UD0A, UD0B, UD1A, UD1B, ISCLK2, ISRXD2, IEIN, MSCL, MSDA, CAN0IN, CAN0WU		0.2		1.0	V
		RESET		0.2		1.8	V
$I_{IH}$	High level input current	XIN, RESET, CNVSS, NSD, P0_0 to P0_7, P1_0 to P1_7, P2_0 to P2_7, P3_0 to P3_7, P4_0 to P4_7, P5_0 to P5_7, P6_0 to P6_7, P7_0 to P7_7, P8_0 to P8_7, P9_0 to P9_7, P10_0 to P10_7, P11_0 to P11_7, P12_0 to P12_7, P13_0 to P13_7, P14_1, P14_3 to P14_7, P15_0 to P15_7, P16_0 to P16_7, P17_0 to P17_7, P18_0 to P18_7, P19_0 to P19_7 (1)	$V_I = 3.3 \text{ V}$			4.0	$\mu\text{A}$
$I_{IL}$	Low level input current	XIN, RESET, CNVSS, NSD, P0_0 to P0_7, P1_0 to P1_7, P2_0 to P2_7, P3_0 to P3_7, P4_0 to P4_7, P5_0 to P5_7, P6_0 to P6_7, P7_0 to P7_7, P8_0 to P8_7, P9_0 to P9_7, P10_0 to P10_7, P11_0 to P11_7, P12_0 to P12_7, P13_0 to P13_7, P14_1, P14_3 to P14_7, P15_0 to P15_7, P16_0 to P16_7, P17_0 to P17_7, P18_0 to P18_7, P19_0 to P19_7 (1)	$V_I = 0 \text{ V}$			-4.0	$\mu\text{A}$
$R_{PULLUP}$	Pull-up resistor	P0_0 to P0_7, P1_0 to P1_7, P2_0 to P2_7, P3_0 to P3_7, P5_0 to P5_3, P8_4, P8_6, P8_7, P9_0 to P9_7, P10_0 to P10_7, P11_0 to P11_7, P13_0 to P13_7, P14_1, P14_3 to P14_7, P15_0 to P15_7, P17_4 to P17_7, P18_0 to P18_7, P19_0 to P19_7 (1)	$V_I = 0 \text{ V}$	50	100	500	$\text{k}\Omega$
$R_{fXIN}$	Feedback resistor	XIN			3		$\text{M}\Omega$
$R_{fXCIN}$	Feedback resistor	XCIN			25		$\text{M}\Omega$

Note:

1. Ports P16 to P19 are available in the 176-pin package only.

$$V_{CC} = 3.3 \text{ V}$$

**Table 5.43 Electrical Characteristics (3/3)**  
**( $V_{CC} = 3.0$  to  $3.6 \text{ V}$ ,  $V_{SS} = 0 \text{ V}$ , and  $T_a = T_{opr}$ , unless otherwise noted)**

Symbol	Characteristic	Measurement Condition	Value			Unit	
			Min.	Typ.	Max.		
$I_{CC}$	Power supply current	In single-chip mode, output pins are left open and others are connected to $V_{SS}$ XIN-XOUT Drive strength: low  XCIN-XCOUT Drive strength: low	$f_{(CPU)} = 64 \text{ MHz}$ , $f_{(BCLK)} = 32 \text{ MHz}$ , $f_{(XIN)} = 8 \text{ MHz}$ , Active: XIN, PLL, Stopped: XCIN, OCO		40	55	mA
			$f_{(CPU)} = f_{SO(PLL)}/24 \text{ MHz}$ , Active: PLL (self-oscillation), Stopped: XIN, XCIN, OCO		9		mA
			$f_{(CPU)} = f_{(BCLK)} = f_{(XIN)}/256 \text{ MHz}$ , $f_{(XIN)} = 8 \text{ MHz}$ , Active: XIN, Stopped: PLL, XCIN, OCO		670		$\mu\text{A}$
			$f_{(CPU)} = f_{(BCLK)} = 32.768 \text{ kHz}$ , Active: XCIN, Stopped: XIN, PLL, OCO, Main regulator: shutdown		180		$\mu\text{A}$
			$f_{(CPU)} = f_{(BCLK)} = f_{(OCO)}/4 \text{ kHz}$ , Active: OCO, Stopped: XIN, PLL, XCIN, Main regulator: shutdown		190		$\mu\text{A}$
			$f_{(CPU)} = f_{(BCLK)} = f_{(XIN)}/256 \text{ MHz}$ , $f_{(XIN)} = 8 \text{ MHz}$ , Active: XIN, Stopped: PLL, XCIN, OCO, $T_a = 25^\circ\text{C}$ , Wait mode		500	900	$\mu\text{A}$
			$f_{(CPU)} = f_{(BCLK)} = 32.768 \text{ kHz}$ , Active: XCIN, Stopped: XIN, PLL, OCO, Main regulator: shutdown, $T_a = 25^\circ\text{C}$ , Wait mode		8	140	$\mu\text{A}$
			$f_{(CPU)} = f_{(BCLK)} = f_{(OCO)}/4 \text{ kHz}$ , Active: OCO, Stopped: XIN, PLL, XCIN, Main regulator: shutdown, $T_a = 25^\circ\text{C}$ , Wait mode		10	150	$\mu\text{A}$
	Stopped: all clocks, Main regulator: shutdown, $T_a = 25^\circ\text{C}$		5	70	$\mu\text{A}$		



$$V_{CC} = 3.3 \text{ V}$$

**Table 5.44 A/D Conversion Characteristics ( $V_{CC} = AV_{CC} = V_{REF} = 3.0$  to  $3.6 \text{ V}$ ,  $V_{SS} = AV_{SS} = 0 \text{ V}$ ,  $T_a = T_{opr}$ , and  $f_{(BCLK)} = 32 \text{ MHz}$ , unless otherwise noted)**

Symbol	Characteristic	Measurement Condition	Value			Unit	
			Min.	Typ.	Max.		
—	Resolution	$V_{REF} = V_{CC}$			10	Bits	
—	Absolute error	$V_{REF} = V_{CC} = 3.3 \text{ V}$	AN_0 to AN_7, AN0_0 to AN0_7, AN2_0 to AN2_7, AN15_0 to AN15_7, ANEX0, ANEX1			$\pm 5$	LSB
			External op-amp connection mode			$\pm 7$	LSB
INL	Integral non-linearity error	$V_{REF} = V_{CC} = 3.3 \text{ V}$	AN_0 to AN_7, AN0_0 to AN0_7, AN2_0 to AN2_7, AN15_0 to AN15_7, ANEX0, ANEX1			$\pm 5$	LSB
			External op-amp connection mode			$\pm 7$	LSB
DNL	Differential non- linearity error	$V_{REF} = V_{CC} = 3.3 \text{ V}$			$\pm 1$	LSB	
—	Offset error				$\pm 3$	LSB	
—	Gain error				$\pm 3$	LSB	
$R_{LADDER}$	Resistor ladder	$V_{REF} = V_{CC}$	4		20	$k\Omega$	
$t_{CONV}$	Conversion time (10 bits)	$\phi_{AD} = 10 \text{ MHz}$ , with sample and hold function	3.3			$\mu\text{s}$	
$t_{CONV}$	Conversion time (8 bits)	$\phi_{AD} = 10 \text{ MHz}$ , with sample and hold function	2.8			$\mu\text{s}$	
$t_{SAMP}$	Sampling time	$\phi_{AD} = 10 \text{ MHz}$	0.3			$\mu\text{s}$	
$V_{IA}$	Analog input voltage		0		$V_{REF}$	V	
$\phi_{AD}$	Operating clock frequency	Without sample and hold function	0.25		10	MHz	
		With sample and hold function	1		10	MHz	
$R_{PU(AST)}$	Pull-up resistor for open-circuit detection		5	10	15	$k\Omega$	
$R_{PD(AST)}$	Pull-down resistor for open-circuit detection		5	10	15	$k\Omega$	

$$V_{CC} = 3.3 \text{ V}$$

**Table 5.45 D/A Conversion Characteristics ( $V_{CC} = AV_{CC} = V_{REF} = 3.0$  to  $3.6 \text{ V}$ ,  $V_{SS} = AV_{SS} = 0 \text{ V}$ , and  $T_a = T_{opr}$ , unless otherwise noted)**

Symbol	Characteristic	Measurement Condition	Value			Unit
			Min.	Typ.	Max.	
—	Resolution				8	Bits
—	Absolute precision				1.0	%
$t_s$	Settling time				3	$\mu\text{s}$
$R_O$	Output resistance		4	10	20	$\text{k}\Omega$
$I_{VREF}$	Reference input current	See Note 1			1.0	mA

Note:

- One D/A converter is used. The DAi register ( $i = 0, 1$ ) of the other unused converter is set to 00h. The resistor ladder for the A/D converter is not considered.  
Even when the VCUT bit in the AD0CON1 register is set to 0 ( $V_{REF}$  disconnected),  $I_{VREF}$  is supplied.

$$V_{CC} = 3.3 \text{ V}$$

Timing Requirements ( $V_{CC} = 3.0$  to  $3.6 \text{ V}$ ,  $V_{SS} = 0 \text{ V}$ , and  $T_a = T_{opr}$ , unless otherwise noted)

**Table 5.46 External Clock Input**

Symbol	Characteristic	Value		Unit
		Min.	Max.	
$t_{C(X)}$	External clock input period	62.5	250	ns
$t_{W(XH)}$	External clock input high level pulse width	25		ns
$t_{W(XL)}$	External clock input low level pulse width	25		ns
$t_{r(X)}$	External clock input rise time		5	ns
$t_{f(X)}$	External clock input fall time		5	ns
$t_W / t_C$	External clock input duty	40	60	%

**Table 5.47 External Bus Timing**

Symbol	Characteristic	Value		Unit
		Min.	Max.	
$t_{su(D-R)}$	Data setup time before read	40		ns
$t_{h(R-D)}$	Data hold time after read	0		ns
$t_{dis(R-D)}$	Data disable time after read		$0.5 \times t_{C(Base)} + 10$	ns

$$V_{CC} = 3.3 \text{ V}$$

Timing Requirements ( $V_{CC} = 3.0$  to  $3.6 \text{ V}$ ,  $V_{SS} = 0 \text{ V}$ , and  $T_a = T_{opr}$ , unless otherwise noted)

**Table 5.48 Timer A Input (counting input in event counter mode)**

Symbol	Characteristic	Value		Unit
		Min.	Max.	
$t_{c(TA)}$	TAiIN input clock cycle time	200		ns
$t_{w(TAH)}$	TAiIN input high level pulse width	80		ns
$t_{w(TAL)}$	TAiIN input low level pulse width	80		ns

**Table 5.49 Timer A Input (gating input in timer mode)**

Symbol	Characteristic	Value		Unit
		Min.	Max.	
$t_{c(TA)}$	TAiIN input clock cycle time	400		ns
$t_{w(TAH)}$	TAiIN input high level pulse width	180		ns
$t_{w(TAL)}$	TAiIN input low level pulse width	180		ns

**Table 5.50 Timer A Input (external trigger input in one-shot timer mode)**

Symbol	Characteristic	Value		Unit
		Min.	Max.	
$t_{c(TA)}$	TAiIN input clock cycle time	200		ns
$t_{w(TAH)}$	TAiIN input high level pulse width	80		ns
$t_{w(TAL)}$	TAiIN input low level pulse width	80		ns

**Table 5.51 Timer A Input (external trigger input in pulse-width modulation mode)**

Symbol	Characteristic	Value		Unit
		Min.	Max.	
$t_{w(TAH)}$	TAiIN input high level pulse width	80		ns
$t_{w(TAL)}$	TAiIN input low level pulse width	80		ns

**Table 5.52 Timer A Input (increment/decrement switching input in event counter mode)**

Symbol	Characteristic	Value		Unit
		Min.	Max.	
$t_{c(UP)}$	TAiOUT input clock cycle time	2000		ns
$t_{w(UPH)}$	TAiOUT input high level pulse width	1000		ns
$t_{w(UPL)}$	TAiOUT input low level pulse width	1000		ns
$t_{su(UP-TIN)}$	TAiOUT input setup time	400		ns
$t_h(TIN-UP)$	TAiOUT input hold time	400		ns

$$V_{CC} = 3.3 \text{ V}$$

Timing Requirements ( $V_{CC} = 3.0$  to  $3.6 \text{ V}$ ,  $V_{SS} = 0 \text{ V}$ , and  $T_a = T_{opr}$ , unless otherwise noted)

**Table 5.53 Timer B Input (counting input in event counter mode)**

Symbol	Characteristic	Value		Unit
		Min.	Max.	
$t_{c(TB)}$	TBiIN input clock cycle time (one edge counting)	200		ns
$t_{w(TBH)}$	TBiIN input high level pulse width (one edge counting)	80		ns
$t_{w(TBL)}$	TBiIN input low level pulse width (one edge counting)	80		ns
$t_{c(TB)}$	TBiIN input clock cycle time (both edges counting)	200		ns
$t_{w(TBH)}$	TBiIN input high level pulse width (both edges counting)	80		ns
$t_{w(TBL)}$	TBiIN input low level pulse width (both edges counting)	80		ns

**Table 5.54 Timer B Input (pulse period measure mode)**

Symbol	Characteristic	Value		Unit
		Min.	Max.	
$t_{c(TB)}$	TBiIN input clock cycle time	400		ns
$t_{w(TBH)}$	TBiIN input high level pulse width	180		ns
$t_{w(TBL)}$	TBiIN input low level pulse width	180		ns

**Table 5.55 Timer B Input (pulse-width measure mode)**

Symbol	Characteristic	Value		Unit
		Min.	Max.	
$t_{c(TB)}$	TBiIN input clock cycle time	400		ns
$t_{w(TBH)}$	TBiIN input high level pulse width	180		ns
$t_{w(TBL)}$	TBiIN input low level pulse width	180		ns

$$V_{CC} = 3.3 \text{ V}$$

Timing Requirements ( $V_{CC} = 3.0$  to  $3.6 \text{ V}$ ,  $V_{SS} = 0 \text{ V}$ , and  $T_a = T_{opr}$ , unless otherwise noted)

**Table 5.56 Serial Interface**

Symbol	Characteristic	Value		Unit
		Min.	Max.	
$t_{c(CK)}$	CLKi input clock cycle time	200		ns
$t_{w(CKH)}$	CLKi input high level pulse width	80		ns
$t_{w(CKL)}$	CLKi input low level pulse width	80		ns
$t_{su(D-C)}$	RXDi input setup time	80		ns
$t_{h(C-D)}$	RXDi input hold time	90		ns

**Table 5.57 A/D Trigger Input**

Symbol	Characteristic	Value		Unit
		Min.	Max.	
$t_{w(ADH)}$	ADTRG input high level pulse width Hardware trigger input high level pulse width	$\frac{3}{\phi_{AD}}$		ns
$t_{w(ADL)}$	ADTRG input low level pulse width Hardware trigger input high level pulse width	125		ns

**Table 5.58 External Interrupt  $\overline{INTi}$  Input**

Symbol	Characteristic		Value		Unit
			Min.	Max.	
$t_{w(INH)}$	$\overline{INTi}$ input high level pulse width	Edge sensitive	250		ns
		Level sensitive	$t_{c(CPU)} + 200$		ns
$t_{w(INL)}$	$\overline{INTi}$ input low level pulse width	Edge sensitive	250		ns
		Level sensitive	$t_{c(CPU)} + 200$		ns

**Table 5.59 Intelligent I/O**

Symbol	Characteristic	Value		Unit
		Min.	Max.	
$t_{c(ISCLK2)}$	ISCLK2 input clock cycle time	600		ns
$t_{w(ISCLK2H)}$	ISCLK2 input high level pulse width	270		ns
$t_{w(ISCLK2L)}$	ISCLK2 input low level pulse width	270		ns
$t_{su(RXD-ISCLK2)}$	ISRXD2 input setup time	150		ns
$t_{h(ISCLK2-RXD)}$	ISRXD2 input hold time	100		ns

$$V_{CC} = 3.3 \text{ V}$$

Timing Requirements ( $V_{CC} = 3.0$  to  $3.6 \text{ V}$ ,  $V_{SS} = 0 \text{ V}$ , and  $T_a = T_{opr}$ , unless otherwise noted)

**Table 5.60 Multi-master I<sup>2</sup>C-bus Interface**

Symbol	Characteristic	Value				Unit
		Standard-mode		Fast-mode		
		Min.	Max.	Min.	Max.	
$t_{w(SCLH)}$	MSCL input high level pulse width	600		600		ns
$t_{w(SCLL)}$	MSCL input low level pulse width	600		600		ns
$t_{r(SCL)}$	MSCL input rise time		1000		300	ns
$t_{f(SCL)}$	MSCL input fall time		300		300	ns
$t_{r(SDA)}$	MSDA input rise time		1000		300	ns
$t_{f(SDA)}$	MSDA input fall time		300		300	ns
$t_{h(SDA-SCL)S}$	MSCL high level hold time after START condition/repeated START condition	(1)		$2 \times t_{c(\phi IIC)} + 40$		ns
$t_{su(SCL-SDA)P}$	MSCL high level setup time for repeated START condition/STOP condition	(1)		$2 \times t_{c(\phi IIC)} + 40$		ns
$t_{w(SDAH)P}$	MSDA high level pulse width after STOP condition	(1)		$4 \times t_{c(\phi IIC)} + 40$		ns
$t_{su(SDA-SCL)}$	MSDA input setup time	100		100		ns
$t_{h(SCL-SDA)}$	MSDA input hold time	0		0		ns

Note:

- The value is calculated using the formulas below based on a value SSC set by bits SSC4 to SSC0 in the I2CSSCR register:

$$t_{h(SDA-SCL)S} = SSC \div 2 \times t_{c(\phi IIC)} + 40 \text{ [ns]}$$

$$t_{su(SCL-SDA)P} = (SSC \div 2 + 1) \times t_{c(\phi IIC)} + 40 \text{ [ns]}$$

$$t_{w(SDAH)P} = (SSC + 1) \times t_{c(\phi IIC)} + 40 \text{ [ns]}$$

$$V_{CC} = 3.3 \text{ V}$$

Switching Characteristics ( $V_{CC} = 3.0$  to  $3.6 \text{ V}$ ,  $V_{SS} = 0 \text{ V}$ , and  $T_a = T_{opr}$ , unless otherwise noted)

**Table 5.61 External Bus Timing (separate bus)**

Symbol	Characteristic	Measurement Condition	Value		Unit
			Min.	Max.	
$t_{su(S-R)}$	Chip-select setup time before read	Refer to Figure 5.6	(1)		ns
$t_{h(R-S)}$	Chip-select hold time after read		$t_{c(Base)} - 15$		ns
$t_{su(A-R)}$	Address setup time before read		(1)		ns
$t_{h(R-A)}$	Address hold time after read		$t_{c(Base)} - 15$		ns
$t_{w(R)}$	Read pulse width		(1)		ns
$t_{su(S-W)}$	Chip-select setup time before write		(1)		ns
$t_{h(W-S)}$	Chip-select hold time after write		$1.5 \times t_{c(Base)} - 15$		ns
$t_{su(A-W)}$	Address setup time before write		(1)		ns
$t_{h(W-A)}$	Address hold time after write		$1.5 \times t_{c(Base)} - 15$		ns
$t_{w(W)}$	Write pulse width		(1)		ns
$t_{su(D-W)}$	Data setup time before write		(1)		ns
$t_{h(W-D)}$	Data hold time after write		0		ns

Note:

- The value is calculated using the formulas below based on the base clock cycles ( $t_{c(Base)}$ ) and respective cycles of  $T_{su(A-R)}$ ,  $T_{w(R)}$ ,  $T_{su(A-W)}$ , and  $T_{w(W)}$  set by registers EBC0 to EBC3. If the calculation results in a negative value, modify the value to be set. For details on how to set values, refer to the User's manual.

$$t_{su(S-R)} = t_{su(A-R)} = T_{su(A-R)} \times t_{c(Base)} - 15 \text{ [ns]}$$

$$t_{w(R)} = T_{w(R)} \times t_{c(Base)} - 10 \text{ [ns]}$$

$$t_{su(S-W)} = t_{su(A-W)} = T_{su(A-W)} \times t_{c(Base)} - 15 \text{ [ns]}$$

$$t_{w(W)} = t_{su(D-W)} = T_{w(W)} \times t_{c(Base)} - 10 \text{ [ns]}$$



$$V_{CC} = 3.3 \text{ V}$$

Switching Characteristics ( $V_{CC} = 3.0$  to  $3.6 \text{ V}$ ,  $V_{SS} = 0 \text{ V}$ , and  $T_a = T_{opr}$ , unless otherwise noted)

**Table 5.62 External Bus Timing (multiplexed bus)**

Symbol	Characteristic	Measurement Condition	Value		Unit
			Min.	Max.	
$t_{su(S-ALE)}$	Chip-select setup time before ALE	Refer to Figure 5.6	(1)		ns
$t_{h(R-S)}$	Chip-select hold time after read		$1.5 \times t_{c(Base)} - 15$		ns
$t_{su(A-ALE)}$	Address setup time before ALE		(1)		ns
$t_{h(ALE-A)}$	Address hold time after ALE		$t_{c(Base)} - 5$ (2)		ns
$t_{h(R-A)}$	Address hold time after read		$1.5 \times t_{c(Base)} - 15$		ns
$t_{d(ALE-R)}$	ALE-read delay time		$t_{c(Base)} - 5$ (2)	$t_{c(Base)} + 10$ (2)	ns
$t_{w(ALE)}$	ALE pulse width		(1)		ns
$t_{dis(R-A)}$	Address disable time after read			8	ns
$t_{w(R)}$	Read pulse width		(1)		ns
$t_{h(W-S)}$	Chip-select hold time after write		$1.5 \times t_{c(Base)} - 15$		ns
$t_{h(W-A)}$	Address hold time after write		$1.5 \times t_{c(Base)} - 15$		ns
$t_{d(ALE-W)}$	ALE-write delay time		$t_{c(Base)} - 5$ (2)	$t_{c(Base)} + 10$ (2)	ns
$t_{w(W)}$	Write pulse width		(1)		ns
$t_{su(D-W)}$	Data setup time before write		(1)		ns
$t_{h(W-D)}$	Data hold time after write		$0.5 \times t_{c(Base)}$		ns

Notes:

- The value is calculated using the formulas below based on the base clock cycles ( $t_{c(Base)}$ ) and respective cycles of  $T_{su(A-R)}$ ,  $T_w(R)$ ,  $T_{su(A-W)}$ , and  $T_w(W)$  set by registers EBC0 to EBC3. If the calculation results in a negative value, modify the value to be set. For details on how to set values, refer to the User's manual.
 
$$t_{su(S-ALE)} = t_{su(A-ALE)} = (T_{su(A-R)} - 1) \times t_{c(Base)} - 15 \text{ [ns]} \text{ (when } T_{su(A-R)} \text{ is greater than 1)}$$

$$t_{su(S-ALE)} = t_{su(A-ALE)} = 0.5 \times t_{c(Base)} - 15 \text{ [ns]} \text{ (when } T_{su(A-R)} \text{ is 1)}$$

$$t_{w(ALE)} = (T_{su(A-R)} - 1) \times t_{c(Base)} - 20 \text{ [ns]} \text{ (when } T_{su(A-R)} \text{ is greater than 1)}$$

$$t_{w(ALE)} = 0.5 \times t_{c(Base)} - 20 \text{ [ns]} \text{ (when } T_{su(A-R)} \text{ is 1)}$$

$$t_{w(R)} = T_w(R) \times t_{c(Base)} - 10 \text{ [ns]}$$

$$t_{w(W)} = t_{su(D-W)} = T_w(W) \times t_{c(Base)} - 10 \text{ [ns]}$$
- When  $T_{su(A-R)}$  is greater than 1 or  $T_{su(A-W)}$  is greater than 1. Change " $t_{c(Base)}$ " to " $0.5 \times t_{c(Base)}$ " when  $T_{su(A-R)}$  is 1 or  $T_{su(A-W)}$  is 1.

$$V_{CC} = 3.3 \text{ V}$$

Switching Characteristics ( $V_{CC} = 3.0$  to  $3.6 \text{ V}$ ,  $V_{SS} = 0 \text{ V}$ , and  $T_a = T_{opr}$ , unless otherwise noted)

**Table 5.63 Serial Interface**

Symbol	Characteristic	Measurement Condition	Value		Unit
			Min.	Max.	
$t_{d(C-Q)}$	TXDi output delay time	Refer to Figure 5.6		80	ns
$t_{h(C-Q)}$	TXDi output hold time		0		ns

**Table 5.64 Intelligent I/O**

Symbol	Characteristic	Measurement Condition	Value		Unit
			Min.	Max.	
$t_{d(ISTXD2)}$	ISTXD2 output delay time	Refer to Figure 5.6		180	ns
$t_{h(ISTXD2)}$	ISTXD2 output hold time		0		ns

**Table 5.65 Multi-master I<sup>2</sup>C-bus Interface (Standard-mode)**

Symbol	Characteristic	Measurement Condition	Value		Unit
			Min.	Max.	
$t_{f(SCL)}$	MSCL output fall time	Refer to Figure 5.6	2		ns
$t_{f(SDA)}$	MSDA output fall time		2		ns
$t_{d(SDA-SCL)S}$	MSCL output delay time after START condition/repeated START condition		$20 \times t_{c(\phi IIC)} - 120$	$52 \times t_{c(\phi IIC)} - 40$	ns
$t_{d(SCL-SDA)P}$	Repeated START condition/STOP condition output delay time after MSCL becomes high		$20 \times t_{c(\phi IIC)} + 40$	$52 \times t_{c(\phi IIC)} + 120$	ns
$t_{d(SCL-SDA)}$	MSDA output delay time		$2 \times t_{c(\phi IIC)} + 40$	$3 \times t_{c(\phi IIC)} + 120$	ns

**Table 5.66 Multi-master I<sup>2</sup>C-bus Interface (Fast-mode)**

Symbol	Characteristic	Measurement Condition	Value		Unit
			Min.	Max.	
$t_{f(SCL)}$	MSCL output fall time	Refer to Figure 5.6	2 (1)		ns
$t_{f(SDA)}$	MSDA output fall time		2 (1)		ns
$t_{d(SDA-SCL)S}$	MSCL output delay time after START condition/repeated START condition		$10 \times t_{c(\phi IIC)} - 120$	$26 \times t_{c(\phi IIC)} - 40$	ns
$t_{d(SCL-SDA)P}$	Repeated START condition/STOP condition output delay time after MSCL becomes high		$10 \times t_{c(\phi IIC)} + 40$	$26 \times t_{c(\phi IIC)} + 120$	ns
$t_{d(SCL-SDA)}$	MSDA output delay time		$2 \times t_{c(\phi IIC)} + 40$	$3 \times t_{c(\phi IIC)} + 120$	ns

Note:

- External circuits are required to satisfy the I<sup>2</sup>C-bus specification.

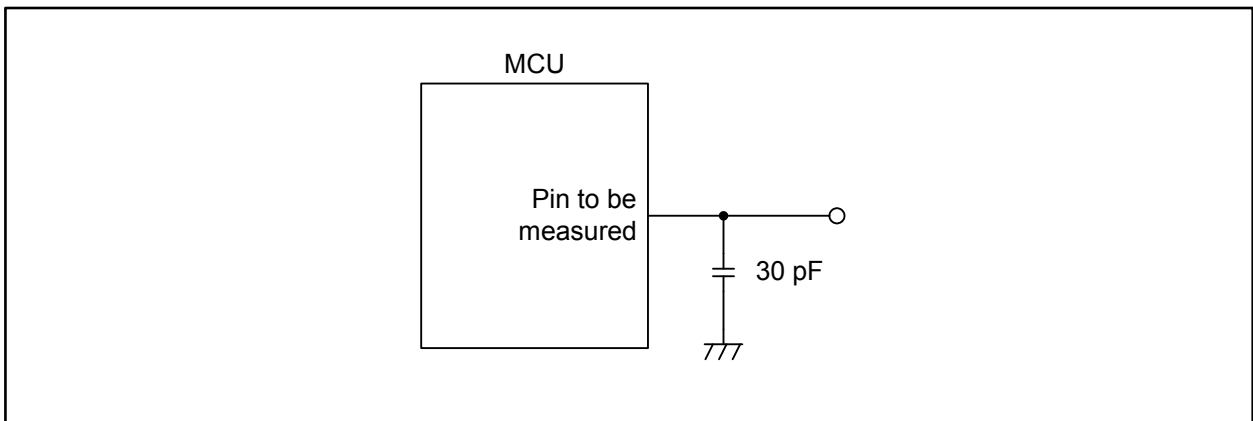


Figure 5.6 Switching Characteristic Measurement Circuit

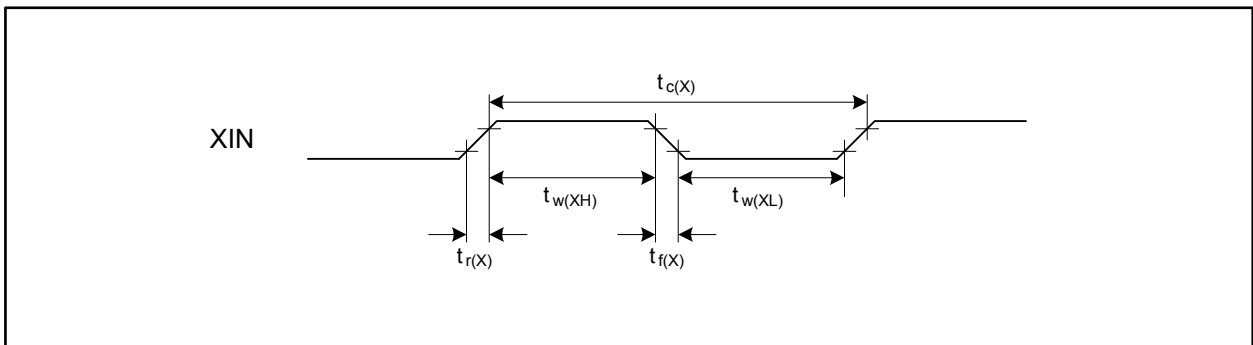


Figure 5.7 External Clock Input Timing

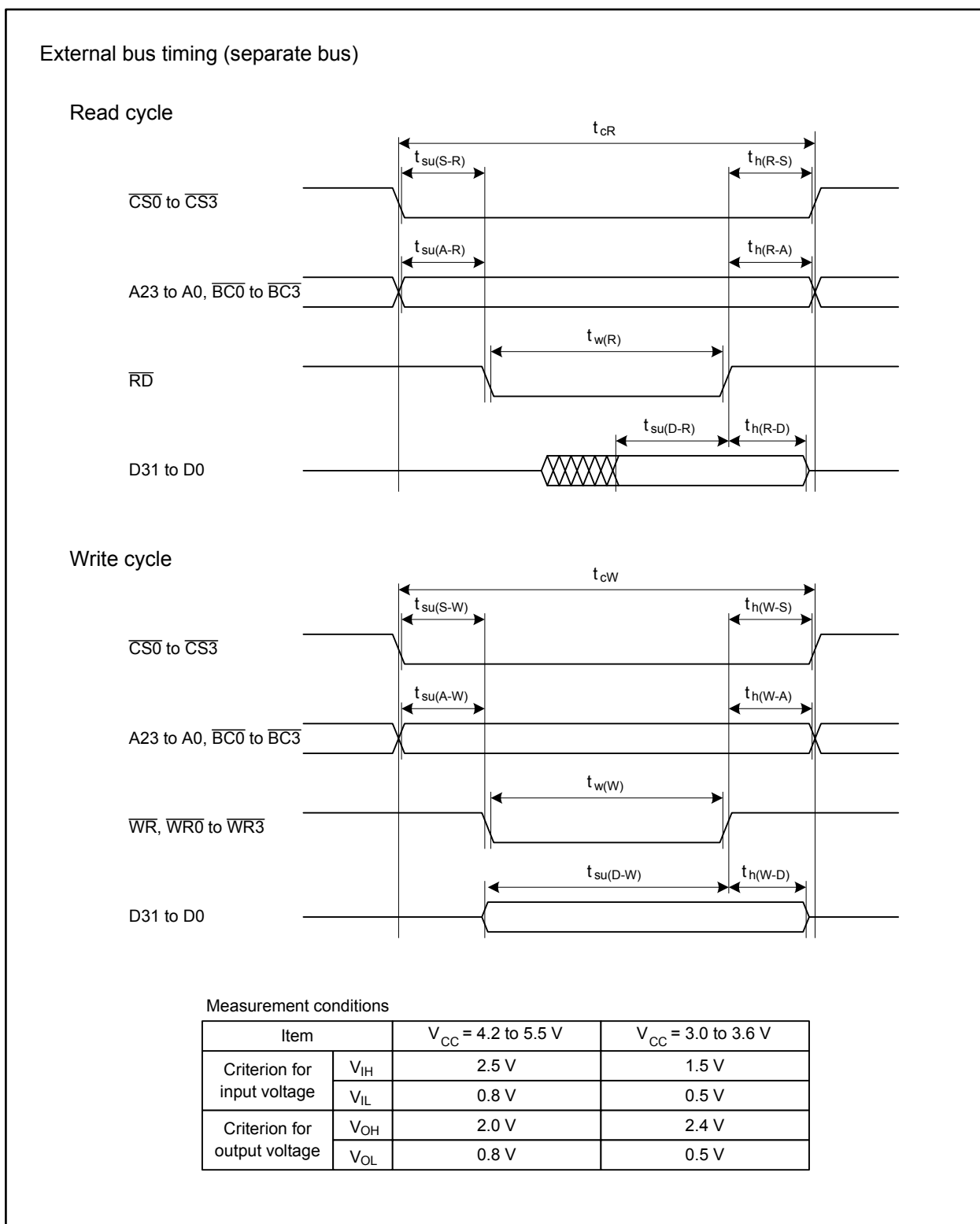


Figure 5.8 External Bus Timing for Separate Bus

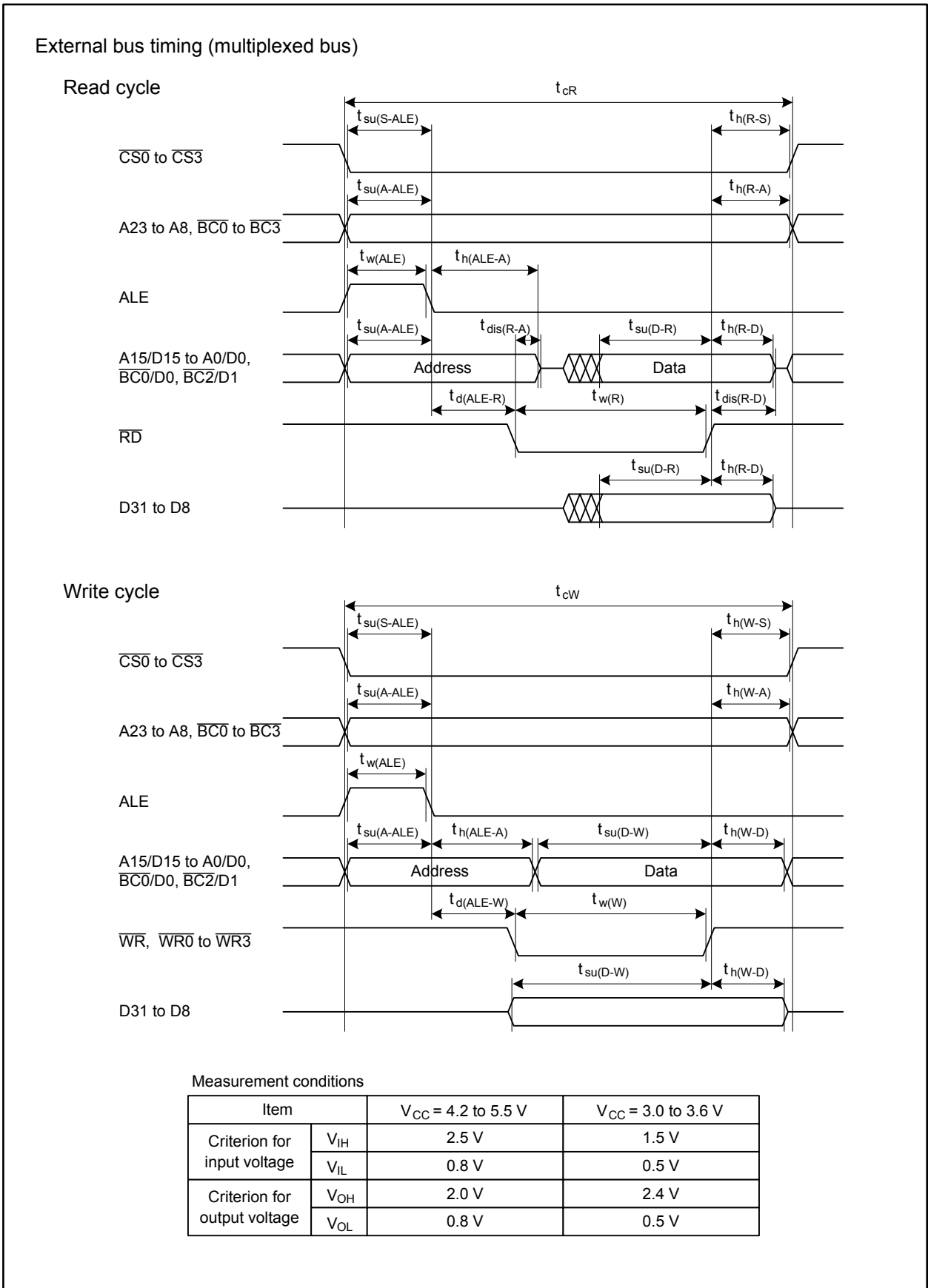


Figure 5.9 External Bus Timing for Multiplexed Bus

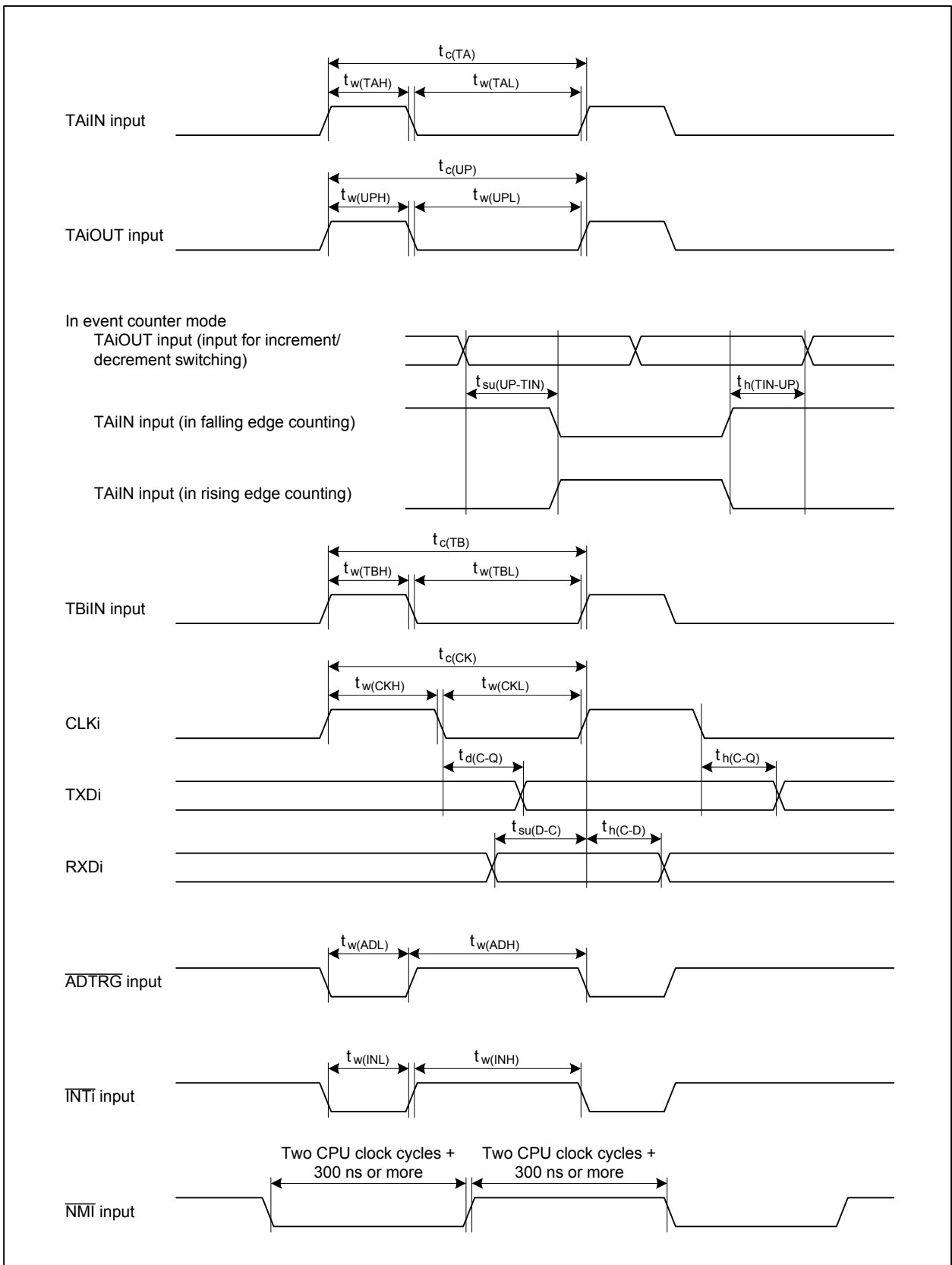


Figure 5.10 Timing of Peripherals

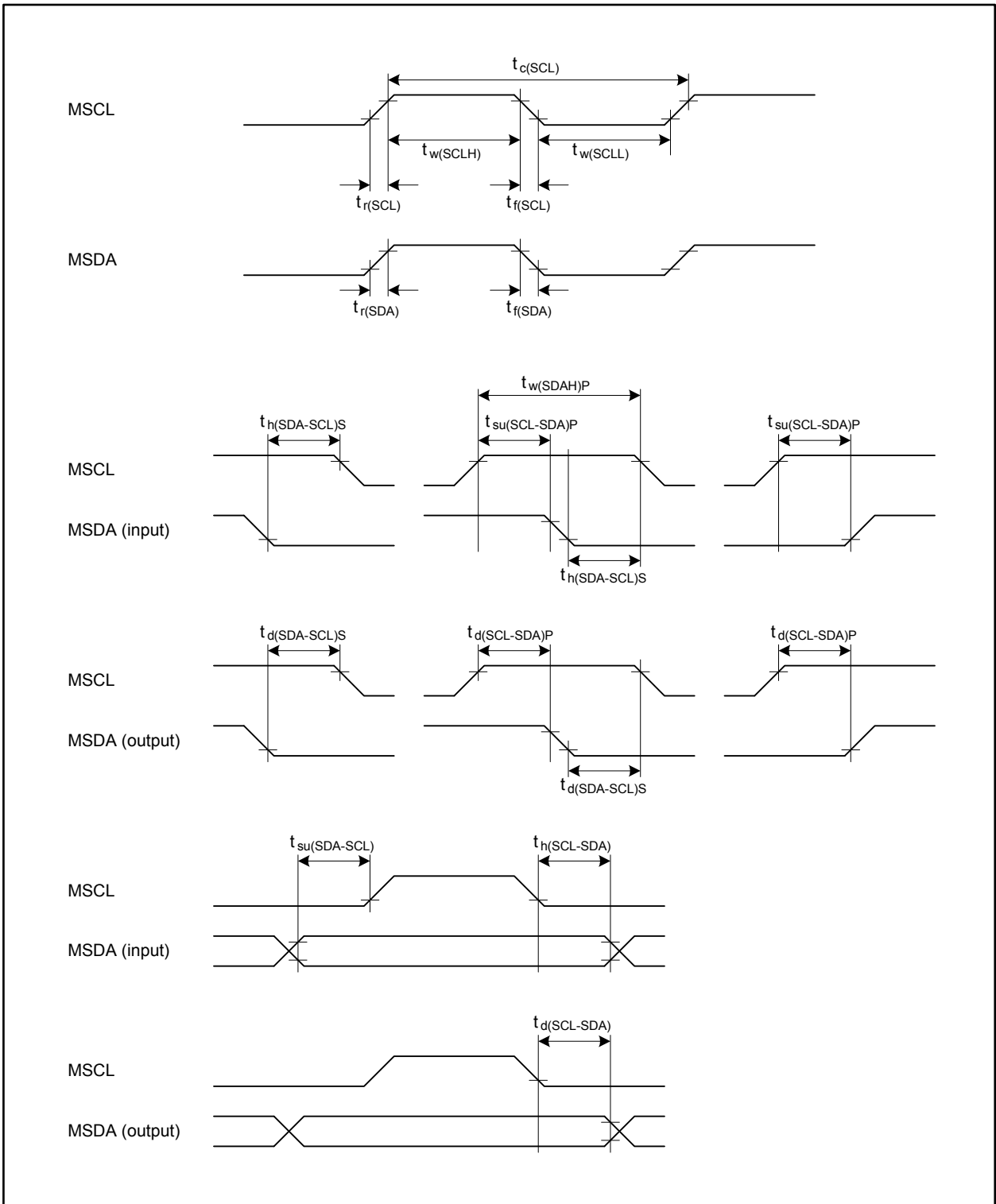
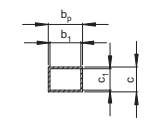
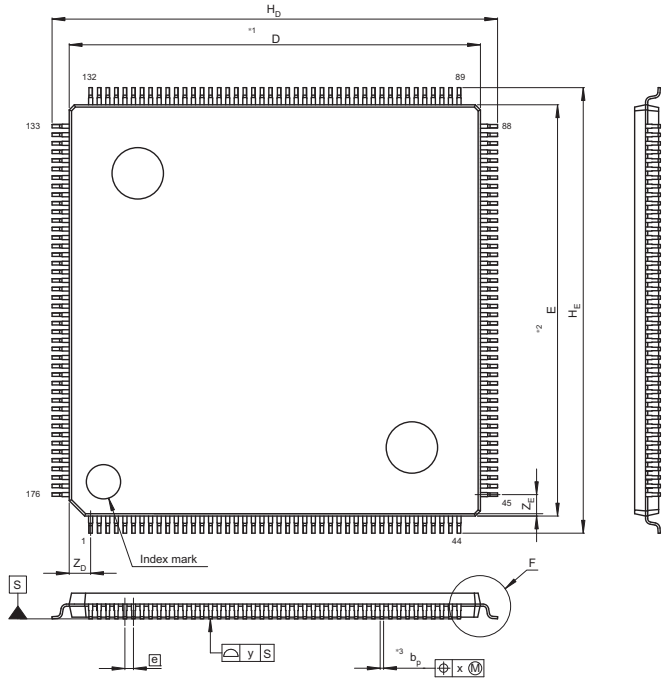


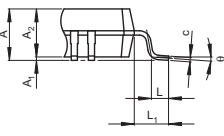
Figure 5.11 Timing of Multi-master I<sup>2</sup>C-bus Interface

# Appendix 1. Package Dimensions

JEITA Package Code	RENESAS Code	Previous Code	MASS[Typ.]
P-LQFP176-24x24-0.50	PLQP0176KB-A	176P6Q-A/FP-176E/FP-176EV	1.8g



Terminal cross section

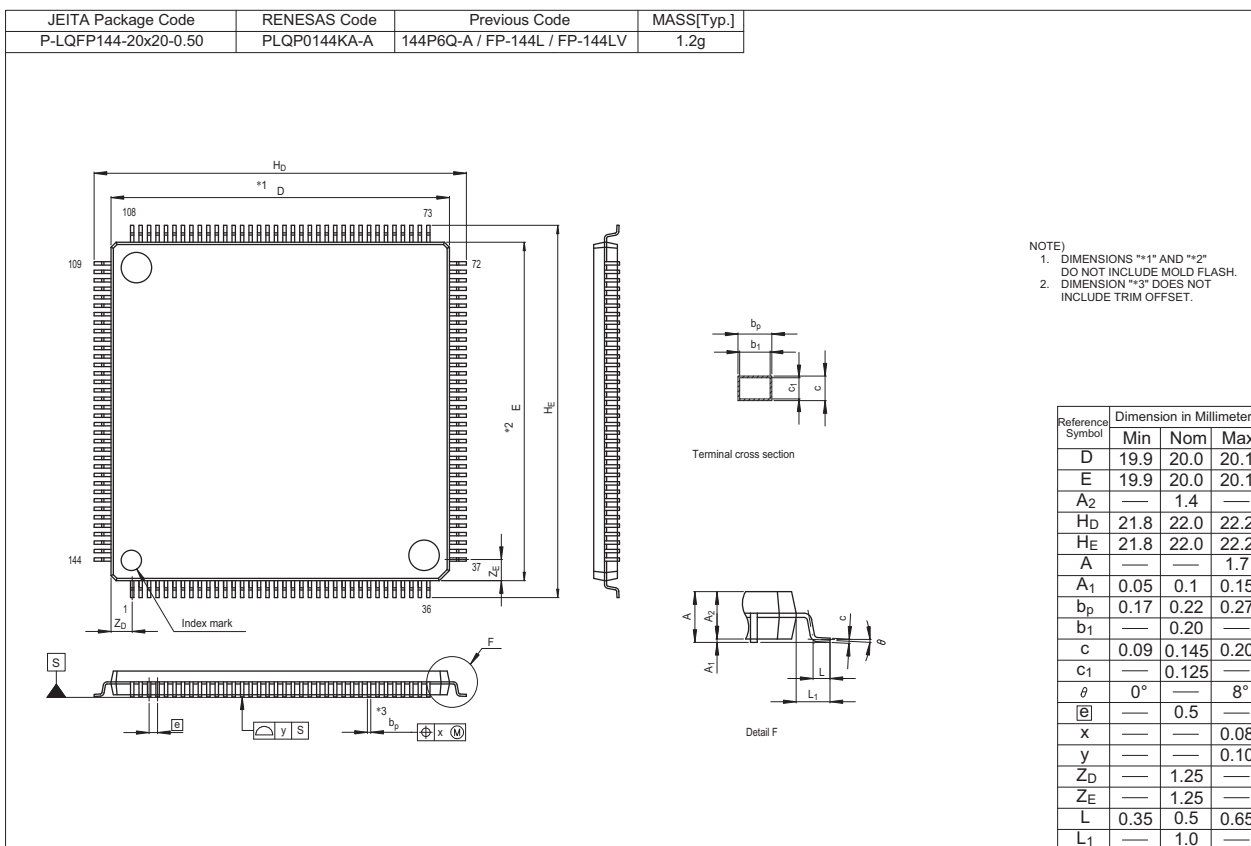


Detail F

NOTE)  
 1. DIMENSIONS \*1\* AND \*2\* DO NOT INCLUDE MOLD FLASH.  
 2. DIMENSION \*3\* DOES NOT INCLUDE TRIM OFFSET.

Reference Symbol	Dimension in Millimeters		
	Min	Nom	Max
D	23.9	24.0	24.1
E	23.9	24.0	24.1
A <sub>2</sub>	—	1.4	—
H <sub>D</sub>	25.8	26.0	26.2
H <sub>E</sub>	25.8	26.0	26.2
A	—	—	1.7
A <sub>1</sub>	0.05	0.1	0.15
b <sub>p</sub>	0.15	0.20	0.25
b <sub>1</sub>	—	0.18	—
c	0.09	0.145	0.20
c <sub>1</sub>	—	0.125	—
θ	0°	—	8°
[e]	—	0.5	—
x	—	—	0.08
y	—	—	0.10
Z <sub>D</sub>	—	1.25	—
Z <sub>E</sub>	—	1.25	—
L	0.35	0.5	0.65
L <sub>1</sub>	—	1.0	—





Revision History	R32C/117A Group Datasheet
------------------	---------------------------

Rev.	Date	Description			
		Page	Summary		
0.50	Mar 05, 2010	—	Initial release		
1.00	Jul 16, 2010	—	Second edition released		
		—	<p>This manual in general</p> <ul style="list-style-type: none"> <li>• Applied new Renesas templates and formats to the manual</li> <li>• Changed company name to “Renesas Electronics Corporation” and changed related descriptions due to business merger of Renesas Technology Corporation and NEC Electronics Corporation (under Chapters 1 and 5)</li> <li>• Modified expressions “version N”, “version D”, and “version P” to “N version”, “D version”, and “P version”, respectively (under Chapters 1 and 5)</li> </ul>		
		3, 5 6 8 20	<p><b>Chapter 1. Overview</b></p> <ul style="list-style-type: none"> <li>• Specified current consumptions in <b>Tables 1.2 and 1.4</b>; Deleted Note 1</li> <li>• Corrected package codes in <b>Table 1.5</b></li> <li>• Deleted Note 1 from <b>Figure 1.2</b></li> <li>• Modified expression “fC” in <b>Table 1.15</b> to “low speed clock”</li> </ul>		
		35, 38  40 42 44 55 70	<p><b>Chapter 4. SFRs</b></p> <ul style="list-style-type: none"> <li>• Changed register name “Group i Timer Measurement Prescaler Register” in <b>Tables 4.6 and 4.9</b> to “Group i Time Measurement Prescaler Register”</li> <li>• Modified expression “XY Control Register” in <b>Table 4.11</b> to “X-Y Control Register”</li> <li>• Changed register name “UART2 Transmission/Receive Mode Register” in <b>Table 4.13</b> to “UART2 Transmit/Receive Mode Register”; Changed hexadecimal format of reset values for registers TABSR, ONSF, and TRGSR to binary</li> <li>• Modified reset value “X00X X000b” for AD0CON2 register in <b>Table 4.15</b> to “XX0X X000b”</li> <li>• Changed register name “External Interrupt Source Select Register i” in <b>Table 4.26</b> to “External Interrupt Request Source Select Register i”</li> <li>• Modified register names “CAN0 Reception Error Count Register” and “CAN0 Transmission Error Count Register” in <b>Table 4.41</b> to “CAN0 Receive Error Count Register” and “CAN0 Transmit Error Count Register”, respectively</li> </ul>		
		—	<p><b>Chapter 5. Electrical Characteristics</b></p> <ul style="list-style-type: none"> <li>• Initially added</li> </ul>		
		112, 113	<p><b>Appendix 1. Package Dimensions</b></p> <ul style="list-style-type: none"> <li>• Added a seating plane to the drawing of package dimension</li> </ul>		
		1.10	Sep 24, 2012	—	Third edition released
		1.10	Sep 24, 2012	—	<p>This manual in general</p> <ul style="list-style-type: none"> <li>• Changed document number “REJ03B0298-0100” to “R01DS0067EJ0110”</li> </ul>
				—	<p><b>Chapter 1. Overview</b></p> <ul style="list-style-type: none"> <li>• Modified wording and enhanced description in this chapter</li> </ul>

Revision History	R32C/117A Group Datasheet
------------------	---------------------------

Rev.	Date	Description	
		Page	Summary
		2, 4	<ul style="list-style-type: none"> <li>• Modified expressions “Main clock oscillator stop/re-oscillation detection”, “calculation transfer”, “chained transfer”, and “inputs/ outputs” in <b>Tables 1.1 and 1.3</b> to “Main clock oscillator stop/restart detection”, “calculation result transfer”, “chain transfer”, and “I/O ports”, respectively</li> </ul>
		6	<ul style="list-style-type: none"> <li>• Completed “on planning” and “under development” phases of versions D and P products in <b>Table 1.5</b></li> </ul>
		9, 15	<ul style="list-style-type: none"> <li>• Changed order of signals in <b>Figures 1.3 and 1.4</b></li> </ul>
		11, 16	<ul style="list-style-type: none"> <li>• Changed order of timer pins “TB5IN/TA0IN” in <b>Tables 1.7 and 1.11</b> to “TA0IN/TB5IN”</li> </ul>
		22	<ul style="list-style-type: none"> <li>• Changed expression “I<sup>2</sup>C bus” in <b>Table 1.17</b> to “I<sup>2</sup>C-bus”</li> </ul>
		24	<ul style="list-style-type: none"> <li>• Added N-channel open drain for pins P2_0 to P2_7 as a selectable function in <b>Table 1.19</b>; Modified Note 1</li> </ul>
			<b>Chapter 2. CPU</b>
		—	<ul style="list-style-type: none"> <li>• Modified wording and enhanced description in this chapter</li> </ul>
		26	<ul style="list-style-type: none"> <li>• Corrected a typo “R3R0” in line 3 of <b>2.1.1</b> to “R3R1”</li> </ul>
			<b>Chapter 3. Memory</b>
		—	<ul style="list-style-type: none"> <li>• Modified wording and enhanced description in this chapter</li> </ul>
			<b>Chapter 4. SFRs</b>
		—	<ul style="list-style-type: none"> <li>• Changed expression “I<sup>2</sup>C Bus” to “I<sup>2</sup>C-bus”</li> </ul>
		35, 36,	<ul style="list-style-type: none"> <li>• Changed hexadecimal format of reset values for registers G1BCR0, G2BCR0, and G0BCR0 in <b>Tables 4.6, 4.7, and 4.9</b> to binary</li> </ul>
		38	
		42	<ul style="list-style-type: none"> <li>• Changed register name “Increment/Decrement Counting Select Register” in <b>Table 4.13</b> to “Increment/Decrement Select Register”</li> </ul>
		56	<ul style="list-style-type: none"> <li>• Corrected reset values of the following registers in <b>Table 4.27</b>: I2CSSCR, I2CCR1, I2CCR2, I2CSR, and I2CMR</li> </ul>
		67, 68	<ul style="list-style-type: none"> <li>• Changed register name “CAN0 Acceptance Mask Register k” in <b>Tables 4.38 and 4.39</b> to “CAN0 Mask Register k”</li> </ul>
		70	<ul style="list-style-type: none"> <li>• Corrected reset value “XXXX XX00b” for C0MSMR register in <b>Table 4.41</b> to “0000 0000b”</li> </ul>
			<b>Chapter 5. Electrical Characteristics</b>
		—	<ul style="list-style-type: none"> <li>• Modified wording and enhanced description in this chapter</li> </ul>
		77	<ul style="list-style-type: none"> <li>• Changed expression “Programming and erasure endurance of flash memory” in <b>Table 5.8</b> to “Program/erase cycles”; Changed its unit “times” to “Cycles”</li> </ul>
		82, 95	<ul style="list-style-type: none"> <li>• Added “MSCL” and “MSDA” to <b>Tables 5.16 and 5.42</b></li> </ul>
		83	<ul style="list-style-type: none"> <li>• Modified description “Drive power:” in <b>Table 5.17</b> to “Drive strength: low”</li> </ul>
		89, 102	<ul style="list-style-type: none"> <li>• Corrected “INTi” in the title of <b>Tables 5.32 and 5.58</b> to “<math>\overline{\text{INTi}}</math>”</li> </ul>
1.20	Dec 10, 2014	—	Fourth edition released
			<b>Chapter 1. Overview</b>
		1	<ul style="list-style-type: none"> <li>• Modified expression “I<sup>2</sup>C” in line 9 of <b>1.1</b> to “I<sup>2</sup>C-bus interface”; Modified description in line 11</li> </ul>
		3, 5	<ul style="list-style-type: none"> <li>• Deleted N version from the Operating Temperature row in <b>Tables 1.2 and 1.4</b></li> </ul>
		6	<ul style="list-style-type: none"> <li>• Deleted products on planning phase from <b>Table 1.5</b></li> </ul>

Revision History	R32C/117A Group Datasheet
------------------	---------------------------

Rev.	Date	Description	
		Page	Summary
		7	<ul style="list-style-type: none"> <li>Deleted N version from the Temperature Code in <b>Figure 1.1</b></li> </ul>
		—	<b>Chapter 5. Electrical Characteristics</b> <ul style="list-style-type: none"> <li>Modified expression “restart condition” to “repeated START condition”</li> </ul>
		72	

All trademarks and registered trademarks are the property of their respective owners.

## General Precautions in the Handling of MPU/MCU Products

The following usage notes are applicable to all MPU/MCU products from Renesas. For detailed usage notes on the products covered by this document, refer to the relevant sections of the document as well as any technical updates that have been issued for the products.

### 1. Handling of Unused Pins

Handle unused pins in accordance with the directions given under Handling of Unused Pins in the manual.

- The input pins of CMOS products are generally in the high-impedance state. In operation with an unused pin in the open-circuit state, extra electromagnetic noise is induced in the vicinity of LSI, an associated shoot-through current flows internally, and malfunctions occur due to the false recognition of the pin state as an input signal become possible. Unused pins should be handled as described under Handling of Unused Pins in the manual.

### 2. Processing at Power-on

The state of the product is undefined at the moment when power is supplied.

- The states of internal circuits in the LSI are indeterminate and the states of register settings and pins are undefined at the moment when power is supplied.

In a finished product where the reset signal is applied to the external reset pin, the states of pins are not guaranteed from the moment when power is supplied until the reset process is completed. In a similar way, the states of pins in a product that is reset by an on-chip power-on reset function are not guaranteed from the moment when power is supplied until the power reaches the level at which resetting has been specified.

### 3. Prohibition of Access to Reserved Addresses

Access to reserved addresses is prohibited.

- The reserved addresses are provided for the possible future expansion of functions. Do not access these addresses; the correct operation of LSI is not guaranteed if they are accessed.

### 4. Clock Signals

After applying a reset, only release the reset line after the operating clock signal has become stable. When switching the clock signal during program execution, wait until the target clock signal has stabilized.

- When the clock signal is generated with an external resonator (or from an external oscillator) during a reset, ensure that the reset line is only released after full stabilization of the clock signal. Moreover, when switching to a clock signal produced with an external resonator (or by an external oscillator) while program execution is in progress, wait until the target clock signal is stable.

### 5. Differences between Products

Before changing from one product to another, i.e. to a product with a different part number, confirm that the change will not lead to problems.

- The characteristics of an MPU or MCU in the same group but having a different part number may differ in terms of the internal memory capacity, layout pattern, and other factors, which can affect the ranges of electrical characteristics, such as characteristic values, operating margins, immunity to noise, and amount of radiated noise. When changing to a product with a different part number, implement a system-evaluation test for the given product.

## Notice

1. Descriptions of circuits, software and other related information in this document are provided only to illustrate the operation of semiconductor products and application examples. You are fully responsible for the incorporation of these circuits, software, and information in the design of your equipment. Renesas Electronics assumes no responsibility for any losses incurred by you or third parties arising from the use of these circuits, software, or information.
2. Renesas Electronics has used reasonable care in preparing the information included in this document, but Renesas Electronics does not warrant that such information is error free. Renesas Electronics assumes no liability whatsoever for any damages incurred by you resulting from errors in or omissions from the information included herein.
3. Renesas Electronics does not assume any liability for infringement of patents, copyrights, or other intellectual property rights of third parties by or arising from the use of Renesas Electronics products or technical information described in this document. No license, express, implied or otherwise, is granted hereby under any patents, copyrights or other intellectual property rights of Renesas Electronics or others.
4. You should not alter, modify, copy, or otherwise misappropriate any Renesas Electronics product, whether in whole or in part. Renesas Electronics assumes no responsibility for any losses incurred by you or third parties arising from such alteration, modification, copy or otherwise misappropriation of Renesas Electronics product.
5. Renesas Electronics products are classified according to the following two quality grades: "Standard" and "High Quality". The recommended applications for each Renesas Electronics product depends on the product's quality grade, as indicated below.  
"Standard": Computers; office equipment; communications equipment; test and measurement equipment; audio and visual equipment; home electronic appliances; machine tools; personal electronic equipment; and industrial robots etc.  
"High Quality": Transportation equipment (automobiles, trains, ships, etc.); traffic control systems; anti-disaster systems; anti-crime systems; and safety equipment etc.  
Renesas Electronics products are neither intended nor authorized for use in products or systems that may pose a direct threat to human life or bodily injury (artificial life support devices or systems, surgical implantations etc.), or may cause serious property damages (nuclear reactor control systems, military equipment etc.). You must check the quality grade of each Renesas Electronics product before using it in a particular application. You may not use any Renesas Electronics product for any application for which it is not intended. Renesas Electronics shall not be in any way liable for any damages or losses incurred by you or third parties arising from the use of any Renesas Electronics product for which the product is not intended by Renesas Electronics.
6. You should use the Renesas Electronics products described in this document within the range specified by Renesas Electronics, especially with respect to the maximum rating, operating supply voltage range, movement power voltage range, heat radiation characteristics, installation and other product characteristics. Renesas Electronics shall have no liability for malfunctions or damages arising out of the use of Renesas Electronics products beyond such specified ranges.
7. Although Renesas Electronics endeavors to improve the quality and reliability of its products, semiconductor products have specific characteristics such as the occurrence of failure at a certain rate and malfunctions under certain use conditions. Further, Renesas Electronics products are not subject to radiation resistance design. Please be sure to implement safety measures to guard them against the possibility of physical injury, and injury or damage caused by fire in the event of the failure of a Renesas Electronics product, such as safety design for hardware and software including but not limited to redundancy, fire control and malfunction prevention, appropriate treatment for aging degradation or any other appropriate measures. Because the evaluation of microcomputer software alone is very difficult, please evaluate the safety of the final products or systems manufactured by you.
8. Please contact a Renesas Electronics sales office for details as to environmental matters such as the environmental compatibility of each Renesas Electronics product. Please use Renesas Electronics products in compliance with all applicable laws and regulations that regulate the inclusion or use of controlled substances, including without limitation, the EU RoHS Directive. Renesas Electronics assumes no liability for damages or losses occurring as a result of your noncompliance with applicable laws and regulations.
9. Renesas Electronics products and technology may not be used for or incorporated into any products or systems whose manufacture, use, or sale is prohibited under any applicable domestic or foreign laws or regulations. You should not use Renesas Electronics products or technology described in this document for any purpose relating to military applications or use by the military, including but not limited to the development of weapons of mass destruction. When exporting the Renesas Electronics products or technology described in this document, you should comply with the applicable export control laws and regulations and follow the procedures required by such laws and regulations.
10. It is the responsibility of the buyer or distributor of Renesas Electronics products, who distributes, disposes of, or otherwise places the product with a third party, to notify such third party in advance of the contents and conditions set forth in this document, Renesas Electronics assumes no responsibility for any losses incurred by you or third parties as a result of unauthorized use of Renesas Electronics products.
11. This document may not be reproduced or duplicated in any form, in whole or in part, without prior written consent of Renesas Electronics.
12. Please contact a Renesas Electronics sales office if you have any questions regarding the information contained in this document or Renesas Electronics products, or if you have any other inquiries.  
(Note 1) "Renesas Electronics" as used in this document means Renesas Electronics Corporation and also includes its majority-owned subsidiaries.  
(Note 2) "Renesas Electronics product(s)" means any product developed or manufactured by or for Renesas Electronics.



### SALES OFFICES

Renesas Electronics Corporation

<http://www.renesas.com>

Refer to "<http://www.renesas.com/>" for the latest and detailed information.

**Renesas Electronics America Inc.**  
2801 Scott Boulevard Santa Clara, CA 95050-2549, U.S.A.  
Tel: +1-408-586-6000, Fax: +1-408-588-6130

**Renesas Electronics Canada Limited**  
1101 Nicholson Road, Newmarket, Ontario L3Y 9C3, Canada  
Tel: +1-905-898-5441, Fax: +1-905-898-3220

**Renesas Electronics Europe Limited**  
Dukes Meadow, Millboard Road, Bourne End, Buckinghamshire, SL8 5FH, U.K.  
Tel: +44-1628-585-100, Fax: +44-1628-585-900

**Renesas Electronics Europe GmbH**  
Arcadiastrasse 10, 40472 Düsseldorf, Germany  
Tel: +49-211-6503-0, Fax: +49-211-6503-1327

**Renesas Electronics (China) Co., Ltd.**  
Room 1709, Quantum Plaza, No.27 ZhiChunLu Haidian District, Beijing 100191, P.R.China  
Tel: +86-10-8235-1155, Fax: +86-10-8235-7679

**Renesas Electronics (Shanghai) Co., Ltd.**  
Unit 301, Tower A, Central Towers, 555 Langao Road, Putuo District, Shanghai, P. R. China 200333  
Tel: +86-21-2226-0888, Fax: +86-21-2226-0999

**Renesas Electronics Hong Kong Limited**  
Unit 1601-1613, 16/F., Tower 2, Grand Century Place, 193 Prince Edward Road West, Mongkok, Kowloon, Hong Kong  
Tel: +852-2265-6688, Fax: +852 2886-9022/9044

**Renesas Electronics Taiwan Co., Ltd.**  
13F, No. 363, Fu Shing North Road, Taipei 10543, Taiwan  
Tel: +886-2-8175-9600, Fax: +886 2-8175-9670

**Renesas Electronics Singapore Pte. Ltd.**  
80 Bendemeer Road, Unit #06-02 Hyflux Innovation Centre, Singapore 339949  
Tel: +65-6213-0200, Fax: +65-6213-0300

**Renesas Electronics Malaysia Sdn.Bhd.**  
Unit 906, Block B, Menara Amcorp, Amcorp Trade Centre, No. 18, Jin Persiaran Barat, 46050 Petaling Jaya, Selangor Darul Ehsan, Malaysia  
Tel: +60-3-7955-9390, Fax: +60-3-7955-9510

**Renesas Electronics Korea Co., Ltd.**  
12F., 234 Teheran-ro, Gangnam-Ku, Seoul, 135-920, Korea  
Tel: +82-2-558-3737, Fax: +82-2-558-5141