



ON Semiconductor®

<http://onsemi.com>

PCP1402

Power MOSFET 250V, 2.4Ω, 1.2A, Single N-Channel

Features

- On-resistance $R_{DS(on)}=1.8\Omega$ (typ)
- Input Capacitance $C_{iss}=210\text{pF}$ (typ)
- Halogen free compliance

Specifications

Absolute Maximum Ratings at $T_a = 25^\circ\text{C}$

Parameter	Symbol	Conditions	Value	Unit
Drain to Source Voltage	V_{DSS}		250	V
Gate to Source Voltage	V_{GSS}		± 30	V
Drain Current (DC)	I_D		1.2	A
Drain Current (Pulse)	I_{DP}	$PW \leq 10\mu\text{s}$, duty cycle $\leq 1\%$	4.8	A
Power Dissipation	P_D	$T_c=25^\circ\text{C}$	3.5	W
		When mounted on ceramic substrate ($600\text{mm}^2 \times 0.8\text{mm}$)	1.5	W
Junction Temperature	T_j		150	$^\circ\text{C}$
Storage Temperature	T_{stg}		-55 to +150	$^\circ\text{C}$

Stresses exceeding those listed in the Maximum Ratings table may damage the device. If any of these limits are exceeded, device functionality should not be assumed, damage may occur and reliability may be affected.

Thermal Resistance Ratings

Parameter	Symbol	Value	Unit
Junction to Case Steady State	$R_{\theta JC}$	35.7	$^\circ\text{C}/\text{W}$
Junction to Ambient When mounted on ceramic substrate ($600\text{mm}^2 \times 0.8\text{mm}$)	$R_{\theta JA}$	83.3	$^\circ\text{C}/\text{W}$

Product parametric performance is indicated in the Electrical Characteristics for the listed test conditions, unless otherwise noted. Product performance may not be indicated by the Electrical Characteristics if operated under different conditions.

Electrical Characteristics at $T_a = 25^\circ\text{C}$

Parameter	Symbol	Conditions	Value			Unit
			min	typ	max	
Drain to Source Breakdown Voltage	$V_{(BR)DSS}$	$I_D=1\text{mA}$, $V_{GS}=0\text{V}$	250			V
Zero-Gate Voltage Drain Current	I_{DSS}	$V_{DS}=250\text{V}$, $V_{GS}=0\text{V}$			1	μA
Gate to Source Leakage Current	I_{GSS}	$V_{GS}=\pm 30\text{V}$, $V_{DS}=0\text{V}$			± 10	μA
Gate Threshold Voltage	$V_{GS(th)}$	$V_{DS}=10\text{V}$, $I_D=1\text{mA}$	2.5		3.5	V
Forward Transconductance	g_{FS}	$V_{DS}=10\text{V}$, $I_D=600\text{mA}$		1.2		S

Continued on next page.

ORDERING INFORMATION

See detailed ordering and shipping information on page 2 of this data sheet.

PCP1402

Continued from preceding page.

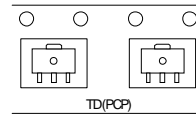
Parameter	Symbol	Conditions	Value			Unit
			min	Typ	max	
Static Drain to Source On-State Resistance	$R_{DS(on)}$	$I_D=600mA, V_{GS}=10V$		1.8	2.4	Ω
Input Capacitance	C_{iss}	$V_{DS}=20V, f=1MHz$		210		pF
Output Capacitance	C_{oss}			20		pF
Reverse Transfer Capacitance	C_{rss}			7		pF
Turn-ON Delay Time	$t_{d(on)}$		See specified Test Circuit		7.9	
Rise Time	t_r			6.7		ns
Turn-OFF Delay Time	$t_{d(off)}$			14.5		ns
Fall Time	t_f			30		ns
Total Gate Charge	Q_g	$V_{DS}=125V, V_{GS}=10V, I_D=1.2A$		4.2		nC
Gate to Source Charge	Q_{gs}			1.4		nC
Gate to Drain "Miller" Charge	Q_{gd}			1.0		nC
Forward Diode Voltage	V_{SD}	$I_S=1.2A, V_{GS}=0V$		0.86	1.2	V

Product parametric performance is indicated in the Electrical Characteristics for the listed test conditions, unless otherwise noted. Product performance may not be indicated by the Electrical Characteristics if operated under different conditions.

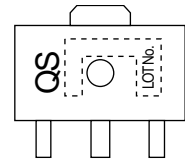
Ordering & Package Information

Device	Package	Shipping	note
PCP1402-TD-H	PCP, SC-62 SOT-89, TO-243	1,000 pcs. / reel	Pb-Free and Halogen Free

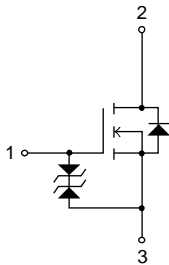
Packing Type:TD



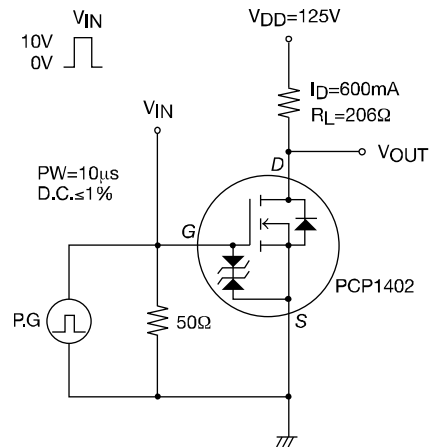
Marking



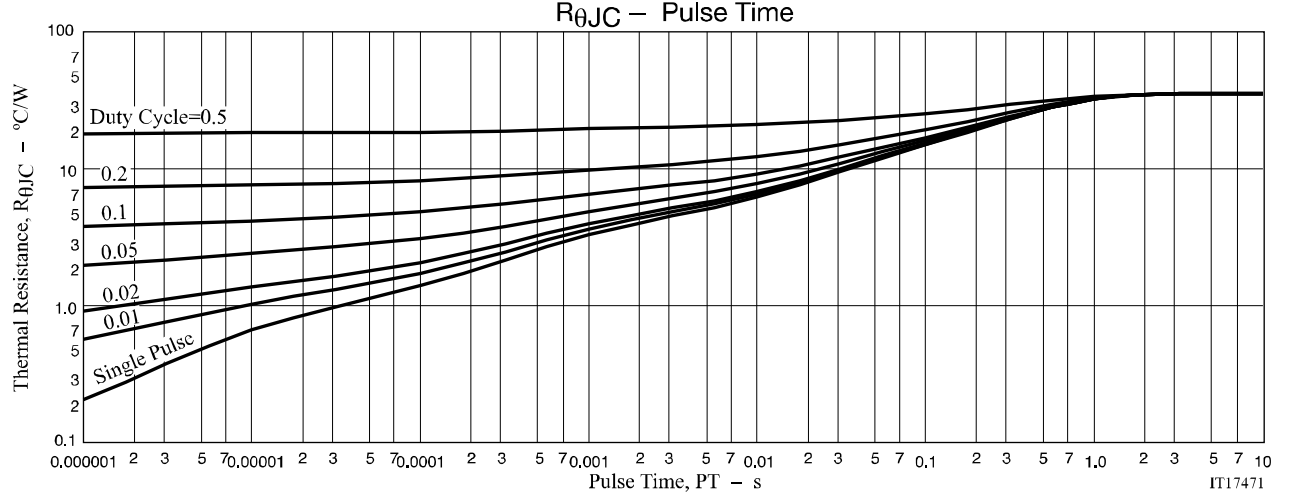
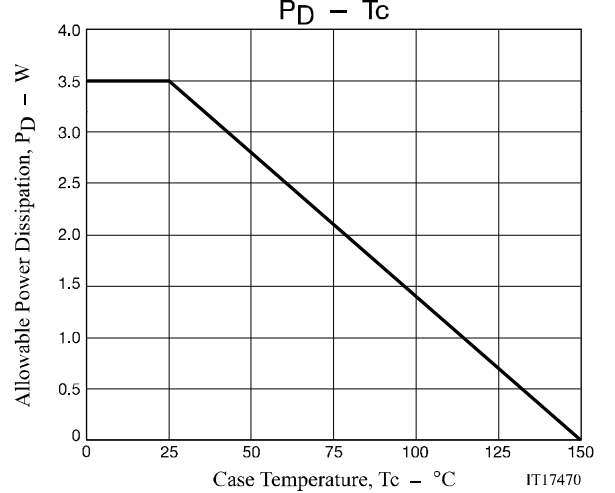
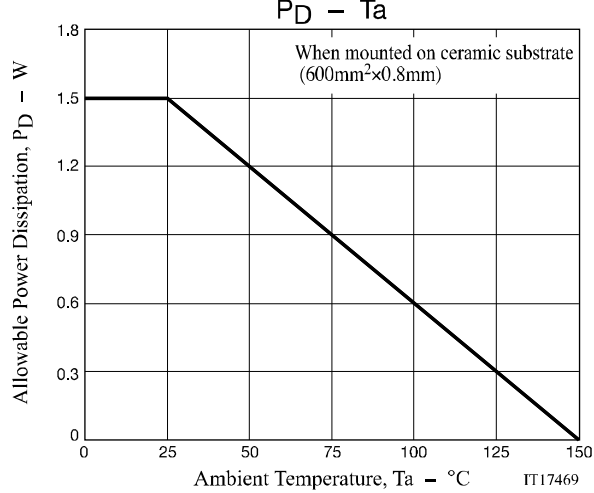
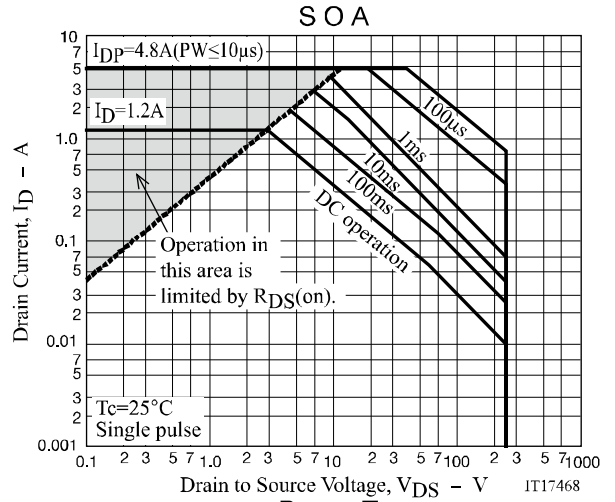
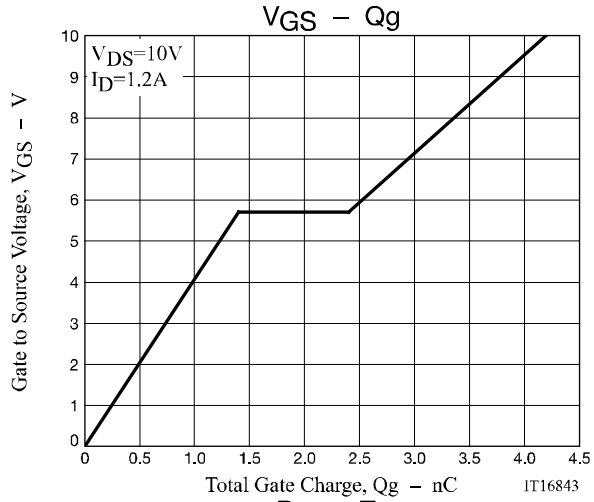
Electrical Connection



Switching Time Test Circuit



PCP1402



PCP1402

Package Dimensions

PCP1402-TD-H

SOT-89/PCP-2

CASE 419AW

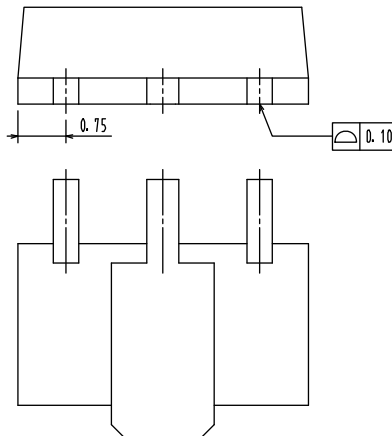
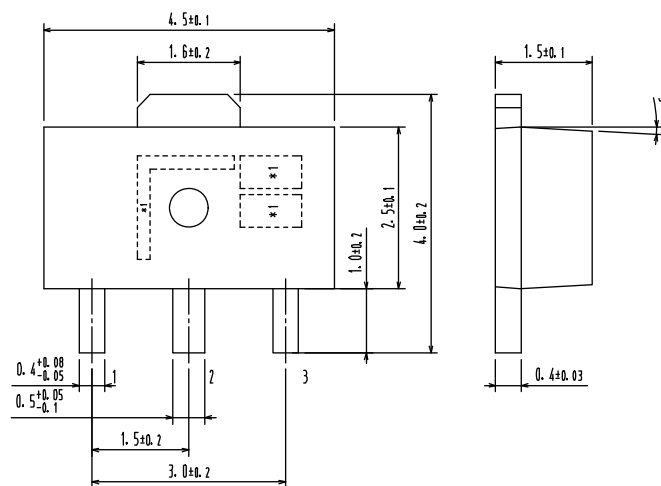
ISSUE O

unit : mm

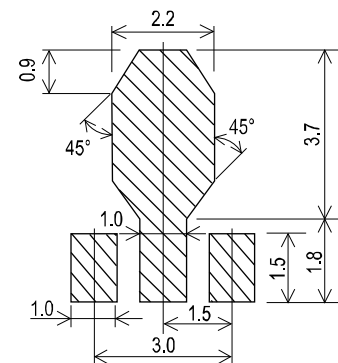
1: Gate

2: Drain

3: Source



Recommended Soldering Footprint



Note on usage : Since the PCP1402 is a MOSFET product, please avoid using this device in the vicinity of highly charged objects.

ON Semiconductor and the ON logo are registered trademarks of Semiconductor Components Industries, LLC (SCILLC) or its subsidiaries in the United States and/or other countries. SCILLC owns the rights to a number of patents, trademarks, copyrights, trade secrets, and other intellectual property. A listing of SCILLC's product/patent coverage may be accessed at www.onsemi.com/site/pdf/Patent-Marking.pdf. SCILLC reserves the right to make changes without further notice to any products herein. SCILLC makes no warranty, representation or guarantee regarding the suitability of its products for any particular purpose, nor does SCILLC assume any liability arising out of the application or use of any product or circuit, and specifically disclaims any and all liability, including without limitation special, consequential or incidental damages. "Typical" parameters which may be provided in SCILLC data sheets and/or specifications can and do vary in different applications and actual performance may vary over time. All operating parameters, including "Typicals" must be validated for each customer application by customer's technical experts. SCILLC does not convey any license under its patent rights nor the rights of others. SCILLC products are not designed, intended, or authorized for use as components in systems intended for surgical implant into the body, or other applications intended to support or sustain life, or for any other application in which the failure of the SCILLC product could create a situation where personal injury or death may occur. Should Buyer purchase or use SCILLC products for any such unintended or unauthorized application, Buyer shall indemnify and hold SCILLC and its officers, employees, subsidiaries, affiliates, and distributors harmless against all claims, costs, damages, and expenses, and reasonable attorney fees arising out of, directly or indirectly, any claim of personal injury or death associated with such unintended or unauthorized use, even if such claim alleges that SCILLC was negligent regarding the design or manufacture of the part. SCILLC is an Equal Opportunity/Affirmative Action Employer. This literature is subject to all applicable copyright laws and is not for resale in any manner.