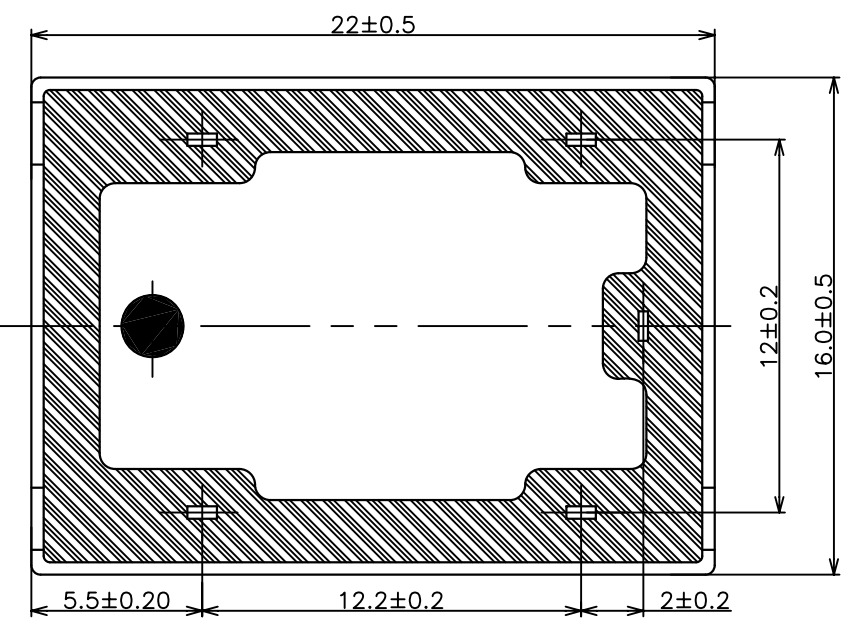
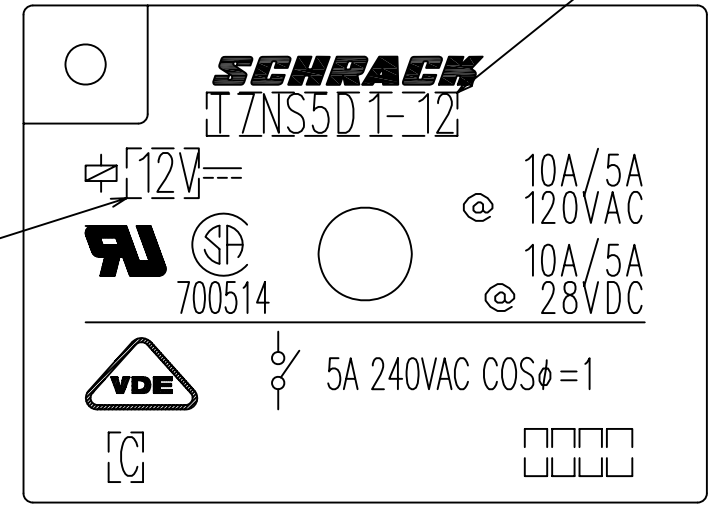
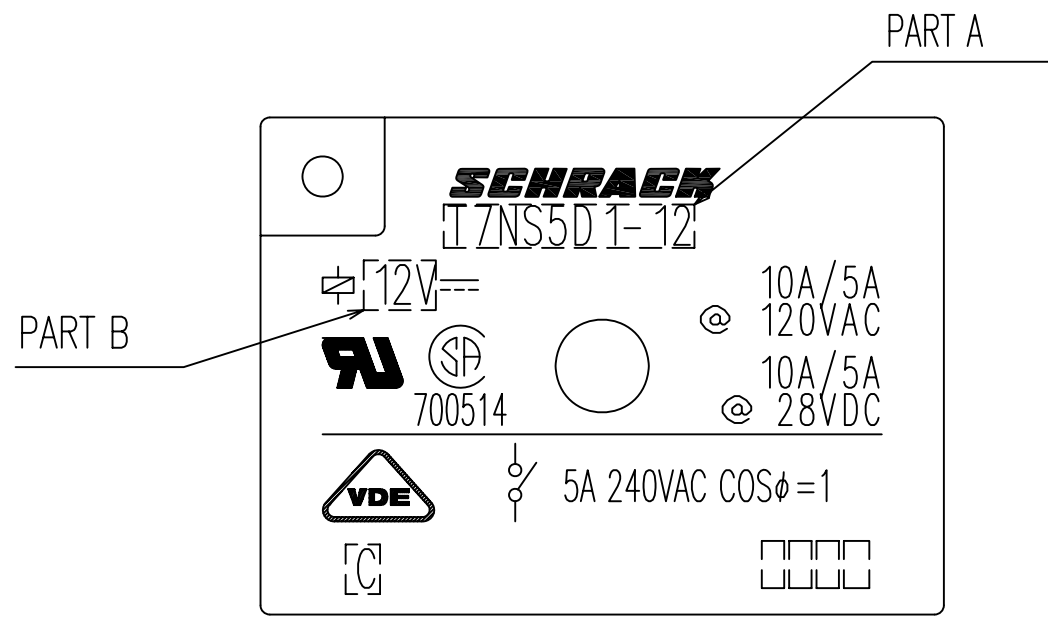
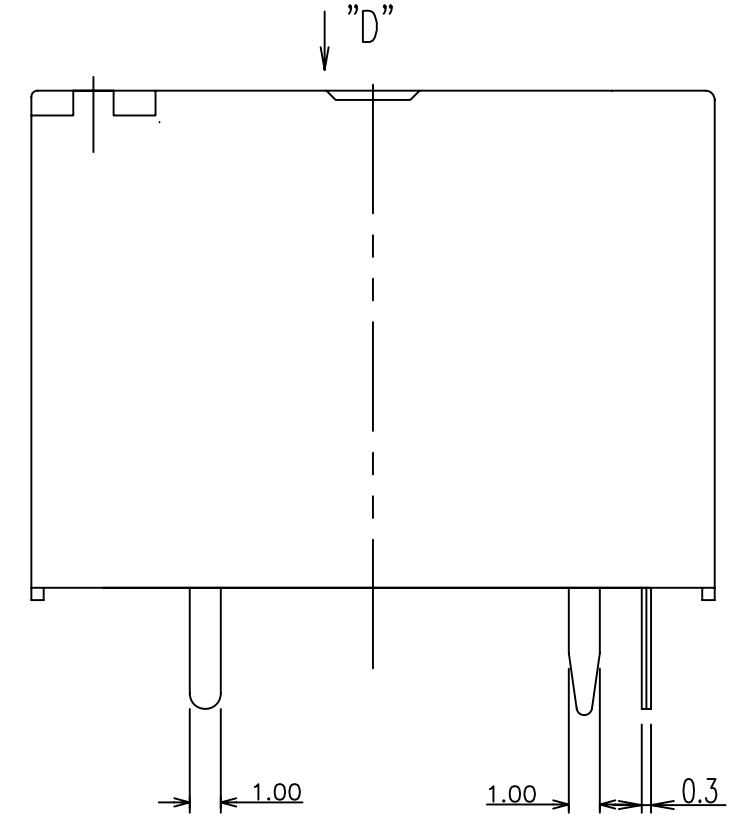
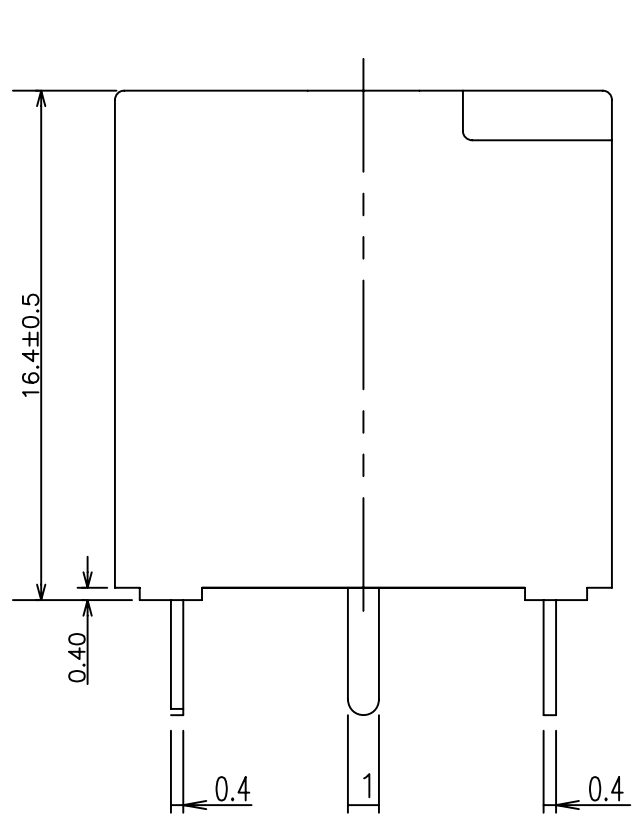


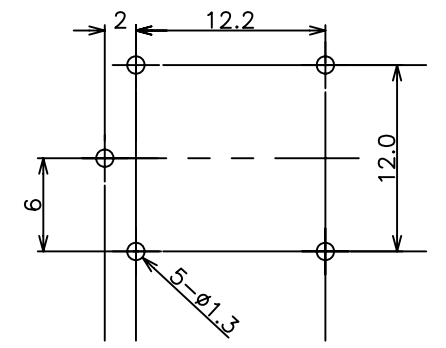
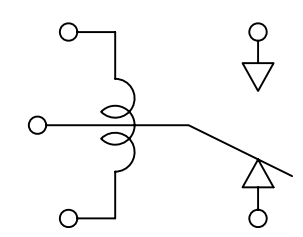
THIS DRAWING IS UNPUBLISHED. RELEASED FOR PUBLICATION
 © COPYRIGHT BY TYCO ELECTRONICS CORPORATION. ALL RIGHTS RESERVED.

LOC		DIST		REVISIONS					
P	LTR	DESCRIPTION			ECN	DATE	DWN	APVD	
	A	RELEASE				16-SEP-08	Z,Z	BH,Y	



CIRCUIT DIAGRAM (BOTTOM VIEW)

DRILLING DIAGRAM (BOTTOM VIEW)



NOTES:

1. Terminal dimension is before solder dip.
2. LOT NO. SYSTEM AS FOLLOWING:

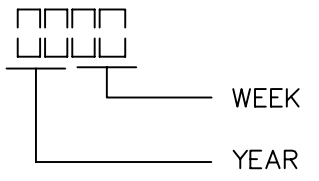


Diagram dimension	Tolerance
0.99mm max.	±0.1mm
1 - 2.99mm	±0.2mm
3mm min.	±0.3mm

THIS DRAWING IS A CONTROLLED DOCUMENT FOR TYCO ELECTRONICS CORPORATION IT IS SUBJECT TO CHANGE AND THE CONTROLLING ENGINEERING ORGANIZATION SHOULD BE CONTACTED FOR THE LATEST REVISION.		DWN H.SASAKI		Tyco Electronics Corporation Shenzhen, China	
DIMENSIONS: mm		CHK N.FUNAYAMA			
TOLERANCES UNLESS OTHERWISE SPECIFIED:		APVD A.NAGAI		NAME	
0 PLC ±		PRODUCT SPEC -		T7NS5D1-03,105=RELAY CUSTOMER DRAWING	
1 PLC ±		APPLICATION SPEC -			
2 PLC ±		WEIGHT -		SIZE A3	
3 PLC ±		CUSTOMER DRAWING		CAGE CODE 00779	
4 PLC ±		SCALE 4:1		DRAWING NO 4-1440006-0	
ANGLES ±		SHEET 1 OF 2		RESTRICTED TO	
FINISH -		REV A			

THIS DRAWING IS UNPUBLISHED.

RELEASED FOR PUBLICATION

© COPYRIGHT

BY TYCO ELECTRONICS CORPORATION. ALL RIGHTS RESERVED.

LOC
HB

DIST

REVISIONS
変更

P	LTR	DESCRIPTION	ECN	DATE	DWN	APVD

48V	T7NS5D1-48	4-1440006-9	i
36V	T7NS5D1-36	4-1440006-8	h
24V	T7NS5D1-24	4-1440006-7	g
18V	T7NS5D1-18	4-1440006-6	f
12V	T7NS5D1-12	4-1440006-4	e
9V	T7NS5D1-09	4-1440006-3	d
6V	T7NS5D1-06	4-1440006-2	c
5V	T7NS5D1-05	4-1440006-1	b
3V	T7NS5D1-03	4-1440006-0	a
PART B	PART A	TE PART NO	ITEM

RELAY TYPE

		UV RESIN	UV SEAL	15
		POLYURETHANE COPPER WIRE	MAGNETIC WIRE	14
		EPOXY RESIN	SEAL	13
		Cu ALLOY	COIL TERMINAL	12
		SIVER TIN OXIDE	STATIONARY CONTACT	11
		SIVER TIN OXIDE	MOVABLE CONTACT	10
		Cu ALLOY	NO TERMINAL	9
		Cu ALLOY	NC TERMINAL	8
		Cu ALLOY	MOVABLE SPRING	7
UL94 V-0		PBT	CASE	6
UL94 V-0		PET	BOBBIN	5
UL94 V-0		PET	BASE	4
	Ni PLATED	STEEL	CORE	3
	Ni PLATED	STEEL	ARMATURE	2
	Ni PLATED	STEEL	YOKE	1
INCOMBUSTIBILITY	TREATMENT	MATERIAL	DESCRIPTION	ITEM

THIS DRAWING IS A CONTROLLED DOCUMENT FOR TYCO ELECTRONICS CORPORATION
IT IS SUBJECT TO CHANGE AND THE CONTROLLING ENGINEERING ORGANIZATION
SHOULD BE CONTACTED FOR THE LATEST REVISION.

DIMENSIONS:

mm



TOLERANCES UNLESS OTHERWISE SPECIFIED:

0 PLC	±
1 PLC	±
2 PLC	±
3 PLC	±
4 PLC	±
ANGLES	±

MATERIAL

FINISH
仕上

DWN

CHK

APVD

PRODUCT SPEC

APPLICATION SPEC

WEIGHT

CUSTOMER DRAWING



Tyco Electronics

Tyco Electronics Corporation
Shenzhen, China

NAME

T7NS5D1-03,105=RELAY CUSTOMER DRAWING

SIZE

A3

CAGE CODE

00779

DRAWING NO

C= 4-1440006-0

RESTRICTED TO

SCALE 4:1

SHEET

2 OF 2

REV A