

### AMD-4 Series

**FEATURES:**

- ✓ Input voltage range 85-305Vac
- ✓ Short circuit, over current, and over voltage protections
- ✓ Board in-line type installation
- ✓ 100% burn-in test
- ✓ 3 year warranty
- ✓ RoHS compliant



Model	Input voltage (Vac)	Output voltage (Vdc)	Output current (mA)	Efficiency Typ.
AMD4-3	85-305	3.3	800	66%
AMD4-5		5	800	76%
AMD4-9		9	440	78%
AMD4-12		12	330	79%
AMD4-15		15	260	80%
AMD4-24		24	160	81%

Note: other input and output models may available on request.

### ELECTRICAL

Input						
Parameters	Symbols	Test Conditions / Comment	Min.	Typ.	Max.	Units
Input voltage	$V_{in}$	--	85	--	305	Vac
Input frequency	$F_{line}$	--	47	--	440	Hz
Input current	$I_{in}$	Full load, $V_{in} = 115Vac$	--	95	--	mA
		Full load, $V_{in} = 230Vac$	--	46	--	mA
Inrush current	$I_{inrush}$	Cold start, $V_{in} = 115Vac$	--	16	--	A
		Cold start, $V_{in} = 230Vac$	--	30	--	A
Leakage current	$I_{leakage}$	$V_{in} = 265Vac/50Hz$	--	0.1	--	mA
External fuse recommend	--	T1A/250Vac(slow break)				

**AMD-4 Series**
**ELECTRICAL**
**Output**

Parameters	Symbols	Test Conditions / Comment	Min.	Typ.	Max.	Units
Output voltage accuracy	$V_{out}$	$V_{in}=100-240Vac$	--	$\pm 0.3$	--	%
Line regulation	$V_{out-line}$	$V_{in}=100-240Vac$	--	$\pm 1.0$	--	%
Load regulation	$V_{out-load}$	20%-100% load	--	$\pm 1.0$	--	%
Ripple	$V_{ripple}$	--	--	100	--	mVp-p
Rise time	--	Full load, $V_{in} = 115Vac$	--	200	--	ms
		Full load, $V_{in} = 230Vac$	--	100	--	ms
Hold time	--	Full load, $V_{in} = 115Vac$	--	15	--	ms
		Full load, $V_{in} = 230Vac$	--	40	--	ms

**Protection**

Over current	Hiccup mode, it will auto-recovery after fault condition is removed					
Over voltage	Hiccup mode, it will auto-recovery after fault condition is removed					
Short circuit	Hiccup mode, it will auto-recovery after fault condition is removed					

**Environment**

Storage	$T_{storage}$	Humidity: 10% RH to 95% RH	-40	--	+85	°C
Ambient operating temperature	$T_a$	Startup at rated voltage (Please refer to derating curve)	-40	--	+70	°C
Operating relative humidity	$H_a$	Non condensing	10	--	85	%
MTBF	$T_{MTBF}$	MIL-HDBK-217F(25°C)	200	--	--	kHrs
Temperature coefficient	0.03%/(0~50°C)					
Vibration	10~500Hz, 2G 10min./cycle, 80 min. Each along X, Y, Z axes					
Dimension(LxWxH)	35x25.4x17.8mm					

AMD-4 Series

**ELECTRICAL**

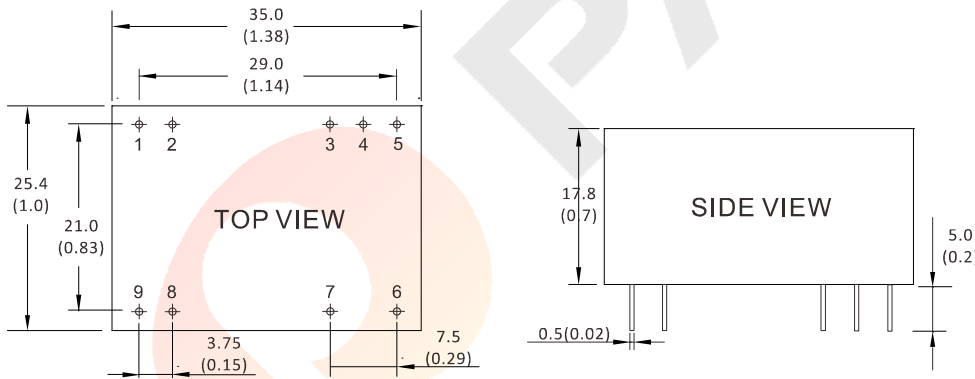
**Safety&EMC**

Safety standards	Design refer to UL1012, EN60950, EN60601, UL60950, EN60601
Isolation voltage	I/P-O/P: 3.5KVac
Isolation Resistance	I/P-O/P:>100M Ohms/500VDC/25°C/70%RH
EMI/EMC	Compliance to EN55011, EN55022(CISPR22) class B, EN61000-4-2, 3, 4, 5

**Notes:**

1. Unless otherwise specified, all the above parameters are measured at ambient temperature of 25°C and input nominal voltage.
2. Ripple & Noise are measured at 20MHZ of bandwidth by using a 12" twisted pair-wire terminated with a 0.1μF & 47μF parallel capacitor.

**MECHANICAL**



**CONNECTION**

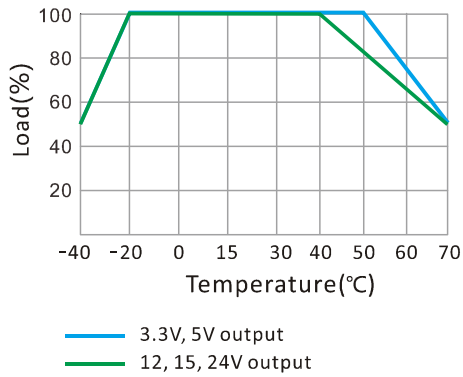
PIN #	SINGLE
1	NC
2	No Pin
3	+Vo
4	-Vo
5	NC
6	AC
7	AC
8	No Pin
9	No Pin

Note: Unit is mm(inch).

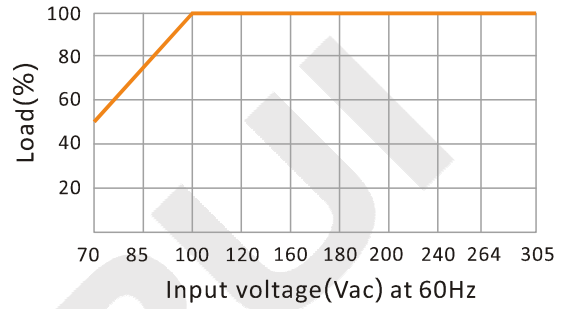
AMD-4 Series

ELECTRICAL CURVE

DERATING CURVE



STATIC CHARACTERISTIC CURVE



NOTE

BLOCK DIAGRAM

