

N-Channel Power MOSFET (6A, 800Volts)

DESCRIPTION

The Nell **6N80** is a three-terminal silicon device with current conduction capability of 6A, fast switching speed, low on-state resistance, breakdown voltage rating of 800V, and max. threshold voltage of 5 volts.

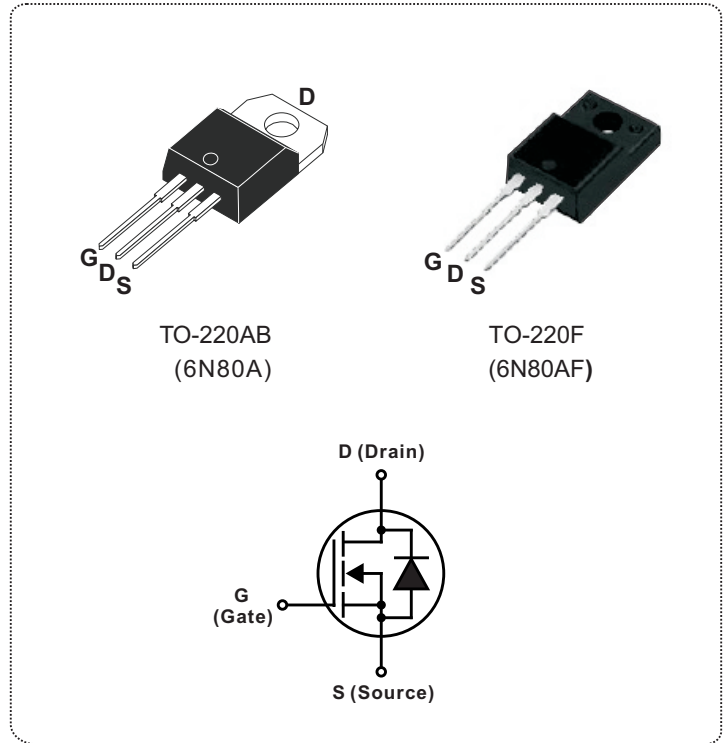
They are designed for use in applications, such as switched mode power supplies, DC to DC converters, **PWM** motor controls, bridge circuits, and general purpose switching applications.

FEATURES

- $R_{DS(ON)} = 2.00\Omega @ V_{GS} = 10V$
- Ultra low gate charge(88nC max.)
- Low reverse transfer capacitance ($C_{RSS} = 57pF$ typical)
- Fast switching capability
- 100% avalanche energy specified
- Improved dv/dt capability
- 150°C operation temperature

PRODUCT SUMMARY

I_D (A)	6
V_{DSS} (V)	800
$R_{DS(ON)}$ (Ω)	2.00 @ $V_{GS} = 10V$
Q_G (nC) max.	88



ABSOLUTE MAXIMUM RATINGS ($T_C = 25^\circ C$ unless otherwise specified)

SYMBOL	PARAMETER	TEST CONDITIONS	VALUE	UNIT	
V_{DSS}	Drain to Source voltage	$T_J = 25^\circ C$ to $150^\circ C$	800	V	
V_{DGR}	Drain to Gate voltage	$R_{GS} = 20K\Omega$	800		
V_{GS}	Gate to Source voltage		± 30		
I_D	Continuous Drain Current	$T_C = 25^\circ C$	6	A	
		$T_C = 100^\circ C$	3.8		
I_{DM}	Pulsed Drain current(Note 1)		24		
I_{AR}	Avalanche current(Note 1)		6		
E_{AR}	Repetitive avalanche energy(Note 1)	$I_{AR} = 6A, R_{GS} = 50\Omega, V_{GS} = 10V$	16	mJ	
E_{AS}	Single pulse avalanche energy(Note 2)	$I_{AS} = 6A, L = 25mH$	480		
dv/dt	Peak diode recovery dv/dt(Note 3)		2.0	V/ns	
P_D	Total power dissipation (Derate above $25^\circ C$)	$T_C = 25^\circ C$	TO-220AB	160 (1.28)	W($W/^\circ C$)
			TO-220F	51 (0.41)	
T_J	Operation junction temperature		-55 to 150	$^\circ C$	
T_{STG}	Storage temperature		-55 to 150		
T_L	Maximum soldering temperature, for 10 seconds	1.6mm from case	300		
	Mounting torque, #6-32 or M3 screw		10 (1.1)	lbf-in (N-m)	

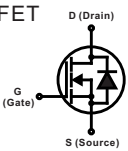
Note: 1. Repetitive rating: pulse width limited by junction temperature..

2. $I_{AS} = 6A, V_{DD} = 50V, L = 25mH, R_{GS} = 27\Omega$, starting $T_J = 25^\circ C$.

3. $I_{SD} \leq 7A, di/dt \leq 150A/\mu s, V_{DD} \leq V_{(BR)DSS}$, starting $T_J = 25^\circ C$.

THERMAL RESISTANCE						
SYMBOL	PARAMETER		Min.	Typ.	Max.	UNIT
$R_{th(j-c)}$	Thermal resistance, junction to case	TO-220AB			0.78	°C/W
		TO-220F			2.45	
$R_{th(j-a)}$	Thermal resistance, junction to ambient	TO-220AB/TO-220F			62.5	

ELECTRICAL CHARACTERISTICS ($T_C = 25^\circ\text{C}$ unless otherwise specified)							
SYMBOL	PARAMETER	TEST CONDITIONS	Min.	Typ.	Max.	UNIT	
OFF CHARACTERISTICS							
$V_{(BR)DSS}$	Drain to source breakdown voltage	$I_D = 250\mu\text{A}, V_{GS} = 0\text{V}$	800			V	
$\Delta V_{(BR)DSS}/\Delta T_J$	Breakdown voltage temperature coefficient	$I_D = 250\mu\text{A}, V_{DS} = V_{GS}$		0.93		V/°C	
I_{DSS}	Drain to source leakage current	$V_{DS} = 800\text{V}, V_{GS} = 0\text{V}$ $T_C = 25^\circ\text{C}$			10	μA	
		$V_{DS} = 640\text{V}, V_{GS} = 0\text{V}$ $T_C = 125^\circ\text{C}$			100		
I_{GSS}	Gate to source forward leakage current	$V_{GS} = 30\text{V}, V_{DS} = 0\text{V}$			100	nA	
	Gate to source reverse leakage current	$V_{GS} = -30\text{V}, V_{DS} = 0\text{V}$			-100		
ON CHARACTERISTICS							
$R_{DS(ON)}$	Static drain to source on-state resistance	$I_D = 3\text{A}, V_{GS} = 10\text{V}$		1.6	2.0	Ω	
$V_{GS(TH)}$	Gate threshold voltage	$V_{GS} = V_{DS}, I_D = 250\mu\text{A}$	3		5	V	
g_{fs}	Forward transconductance (Note 1)	$V_{DS} = 50\text{V}, I_D = 3\text{A}$		5.4		S	
DYNAMIC CHARACTERISTICS							
C_{ISS}	Input capacitance	$V_{DS} = 25\text{V}, V_{GS} = 0\text{V}, f = 1\text{MHz}$		1500	1950	pF	
C_{OSS}	Output capacitance				140		165
C_{RSS}	Reverse transfer capacitance				57		66
SWITCHING CHARACTERISTICS							
$t_{d(ON)}$	Turn-on delay time	$V_{DD} = 400\text{V}, V_{GS} = 10\text{V}, I_D = 6\text{A}, R_{GS} = 25\Omega$ (Note 1, 2)		26	60	ns	
t_r	Rise time				65		140
$t_{d(OFF)}$	Turn-off delay time				47		105
t_f	Fall time				44		90
Q_G	Total gate charge	$V_{DD} = 640\text{V}, V_{GS} = 10\text{V}, I_D = 7\text{A}$ (Note 1, 2)		67	88	nC	
Q_{GS}	Gate to source charge				11		
Q_{GD}	Gate to drain charge (Miller charge)				30		

SOURCE TO DRAIN DIODE RATINGS AND CHARACTERISTICS ($T_C = 25^\circ\text{C}$ unless otherwise specified)						
SYMBOL	PARAMETER	TEST CONDITIONS	Min.	Typ.	Max.	UNIT
V_{SD}	Diode forward voltage	$I_{SD} = 6\text{A}, V_{GS} = 0\text{V}$			1.4	V
I_S (I_{SD})	Continuous source to drain current	Integral reverse P-N junction diode in the MOSFET 			6	A
I_{SM}	Pulsed source current				24	
t_{rr}	Reverse recovery time	$I_{SD} = 7\text{A}, V_{GS} = 0\text{V}, dI_F/dt = 100\text{A}/\mu\text{s}$		520		ns
Q_{rr}	Reverse recovery charge			6.7		μC

Note: 1. Pulse test: Pulse width $\leq 250\mu\text{s}$, duty cycle $\leq 2\%$.
 2. Essentially independent of operating temperature.

ORDERING INFORMATION SCHEME

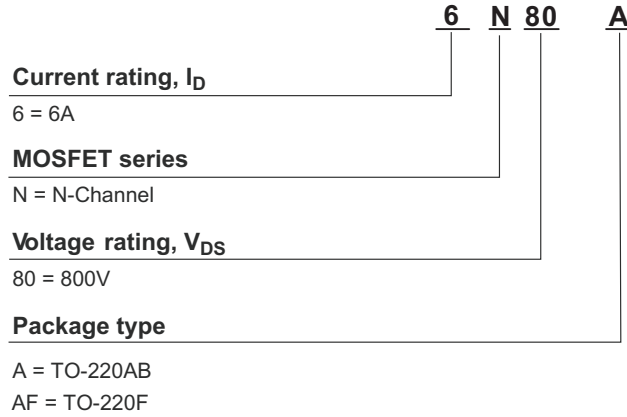


Fig.1 Output characteristics

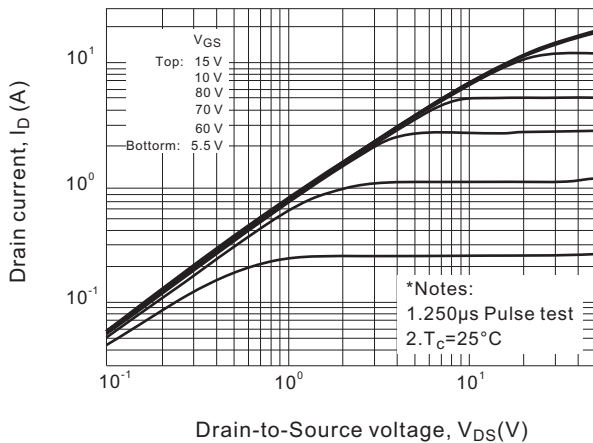


Fig.2 Transfer characteristics

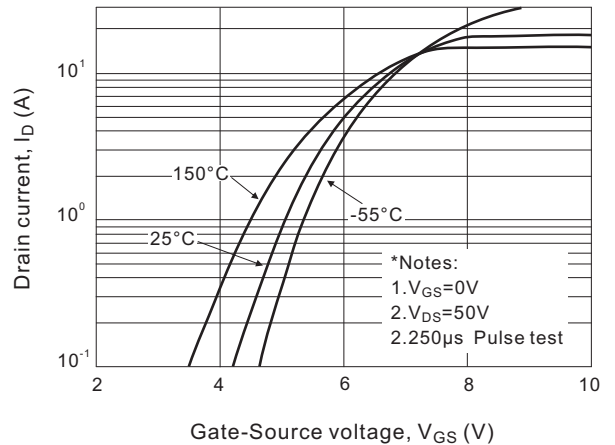


Fig.3 On-resistance variation vs. drain current

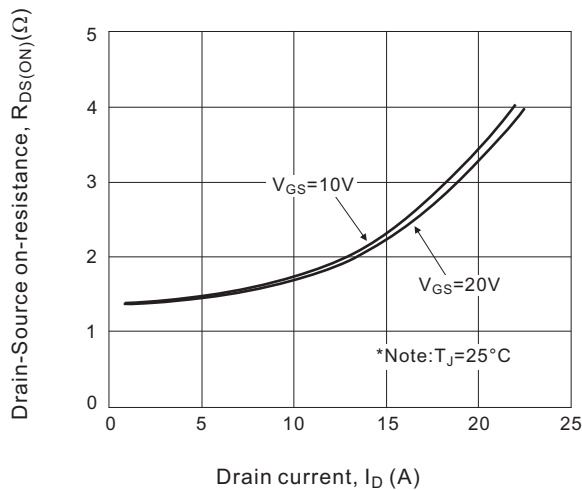


Fig.4 Source-drain diode forward voltage

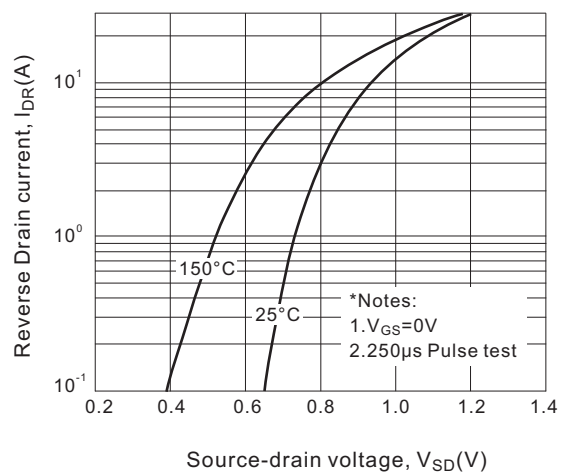


Fig.5 Capacitance vs. drain-source voltage

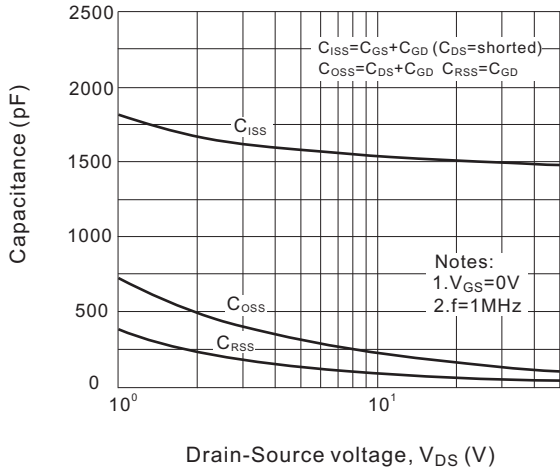


Fig.6 Gate charge vs. gate-source voltage

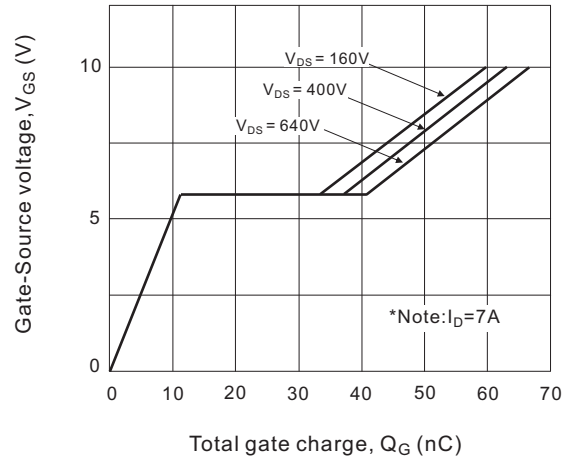


Fig.7 Breakdown voltage variation vs. temperature

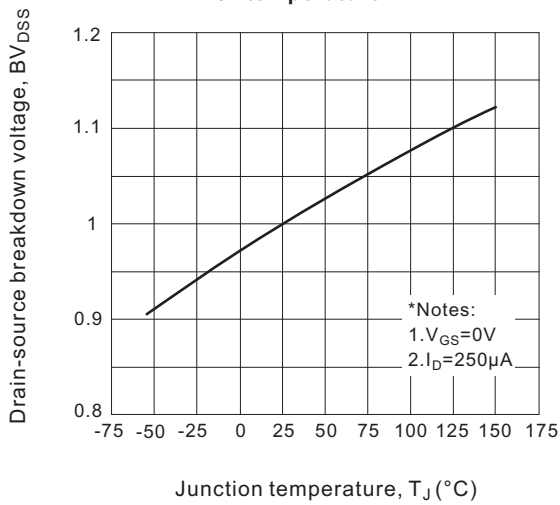


Fig.8 On-resistance vs. temperature

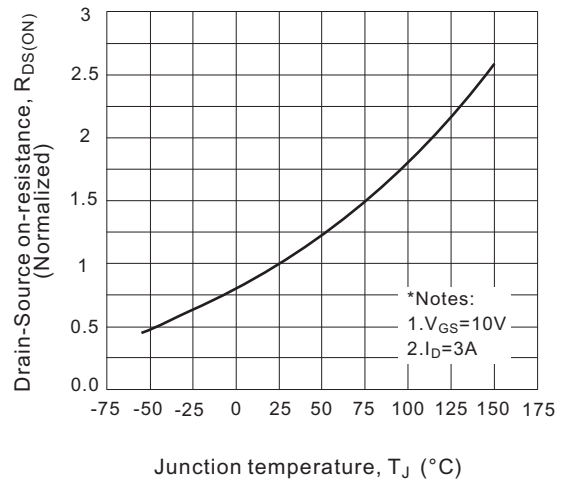


Fig.9-1 Maximum safe operating area for 6N80A

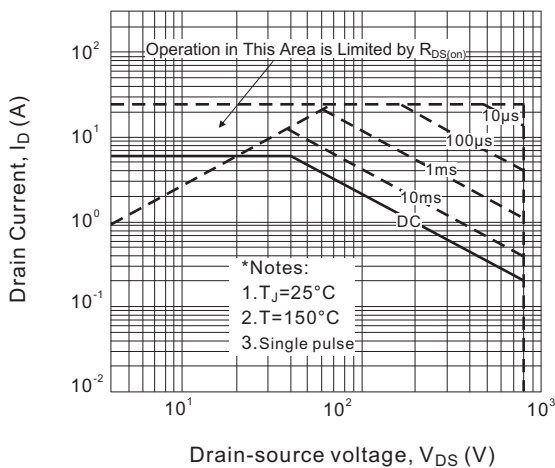


Fig.9-2 Transient thermal response curve for 6N80AF

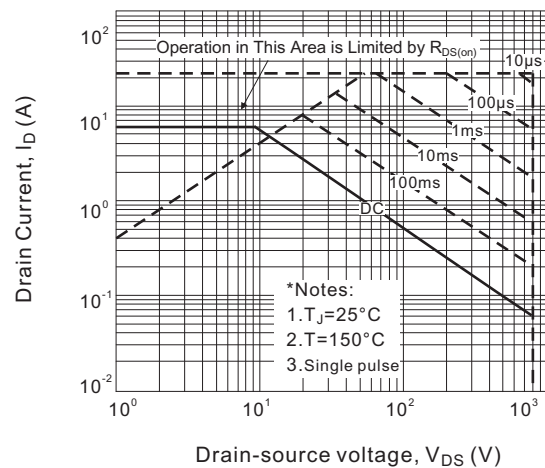


Fig.10 Maximum drain current vs. case temperature

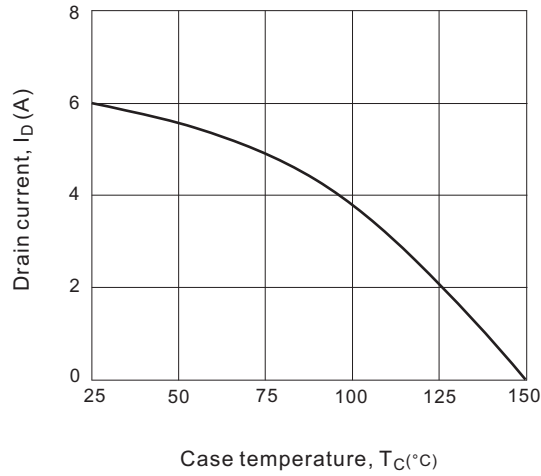


Fig.11-1 Transient Thermal Response Curve for 6N80A

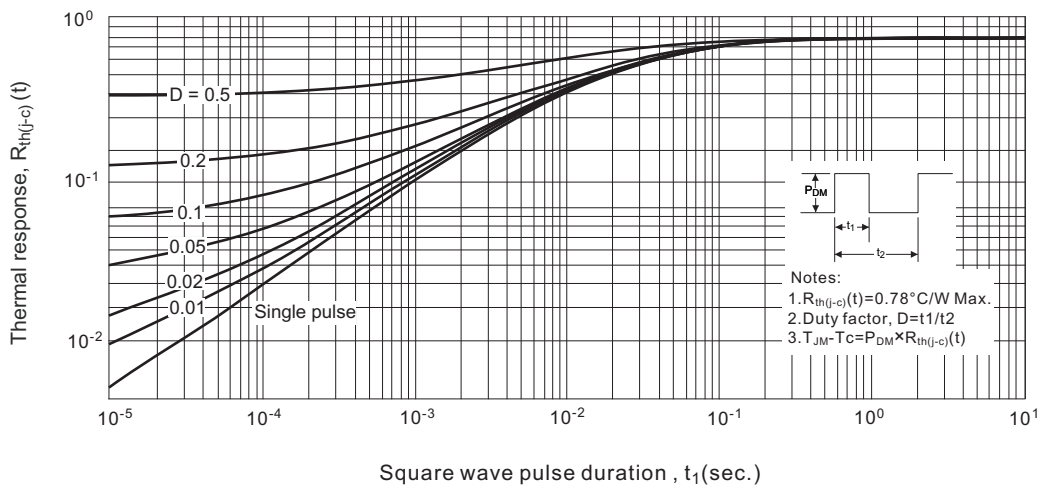
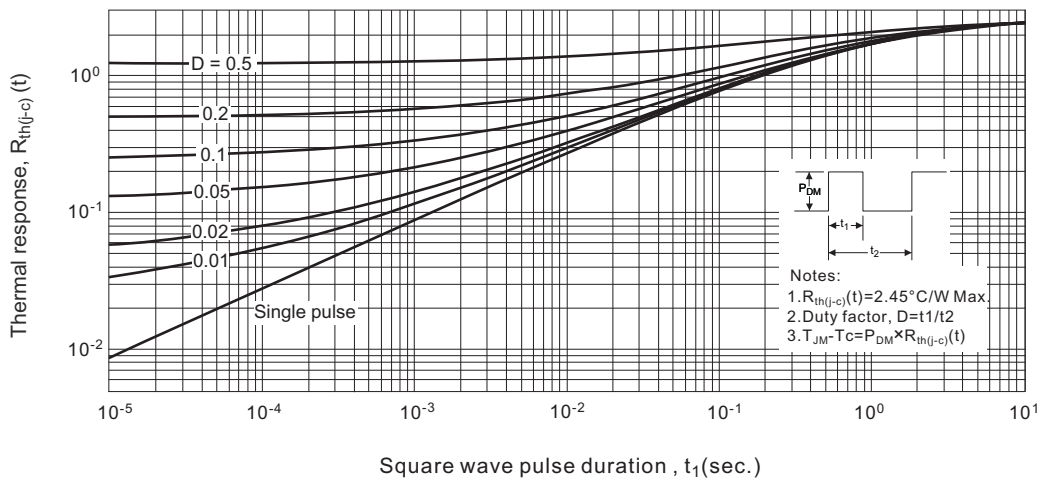


Fig.11-2 Transient Thermal Response Curve for 6N80AF



TEST CIRCUITS AND WAVEFORMS

Fig.1A Peak diode recovery dv/dt test circuit

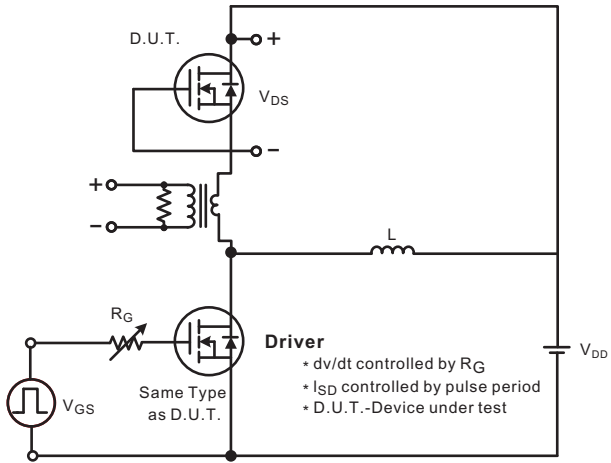


Fig.1B Peak diode recovery dv/dt waveforms

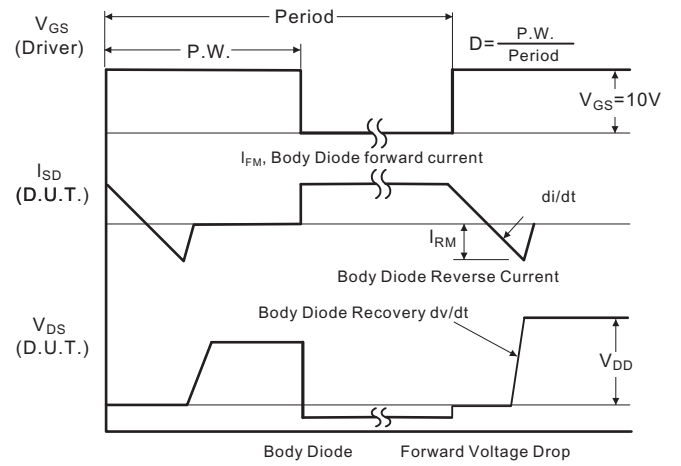


Fig.2A Switching test circuit

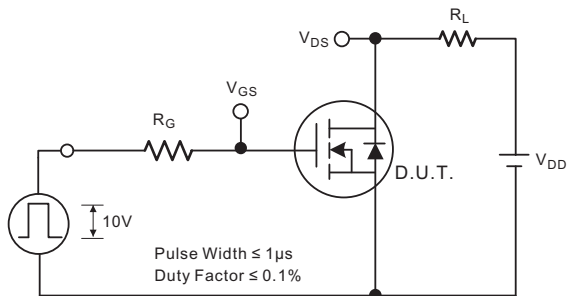


Fig.2B Switching Waveforms

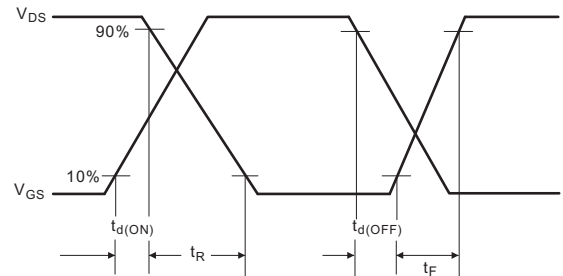


Fig.3A Gate charge test circuit

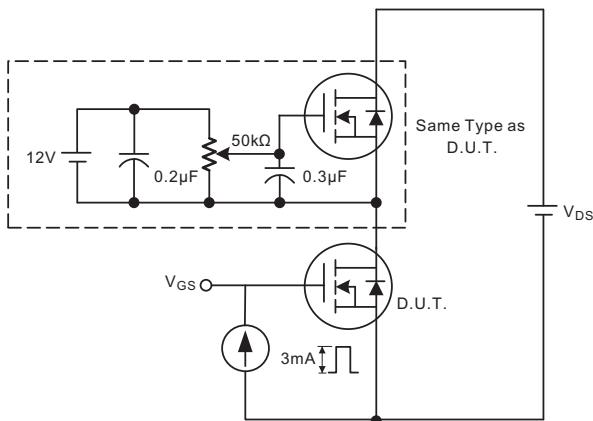


Fig.3B Gate charge waveform

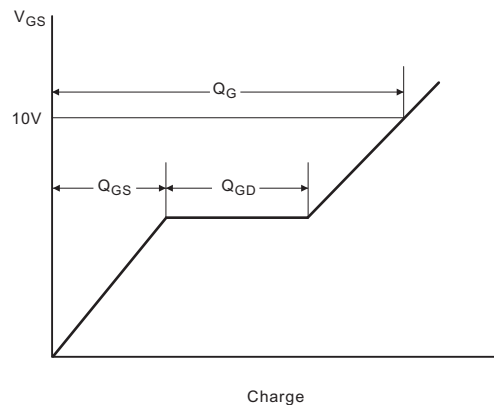


Fig.4A Unclamped Inductive switching test circuit

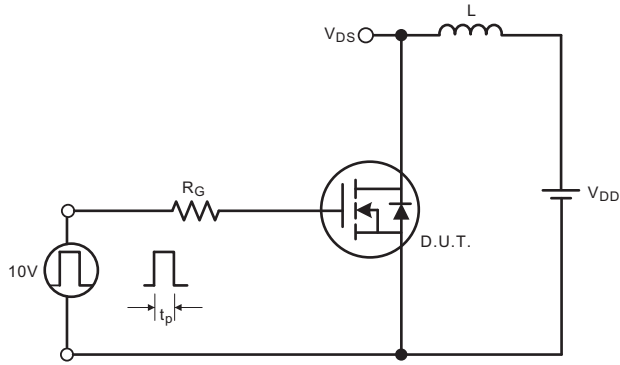
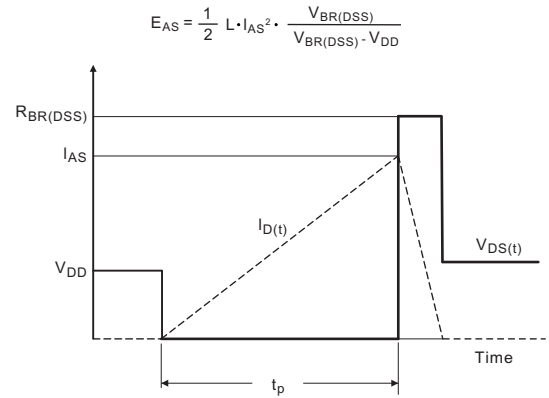
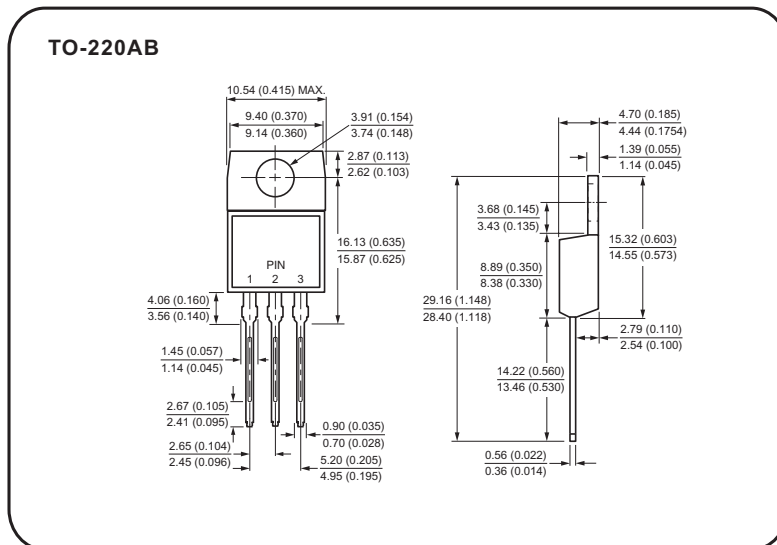


Fig.4B Unclamped Inductive switching waveforms

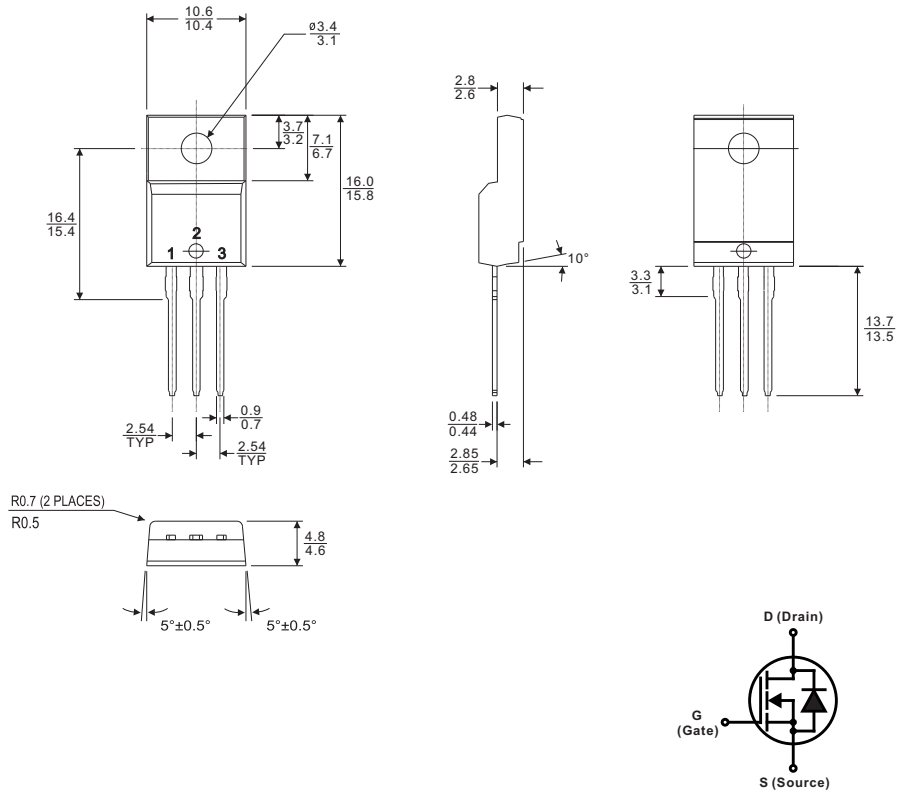


Case Style



Case Style

TO-220F



All dimensions in millimeters