

ARK-5420

Intel® 3rd Generation Core™ i Processor Fanless System with PCIe4 & PCI Slot



Features

- Support Intel 3rd Generation Core i7/i5/Celeron BGA type CPU
- Intel® HM76 PCH
- Support wide temperature -25° C ~ 60° C
- Support VGA & HDMI
- 1 x 2.5" HDD+1 x m-SATA
- Support PCIe4 /PCI slot /Mini-PCIE
- Supports 9 ~ 36V wide range DC input

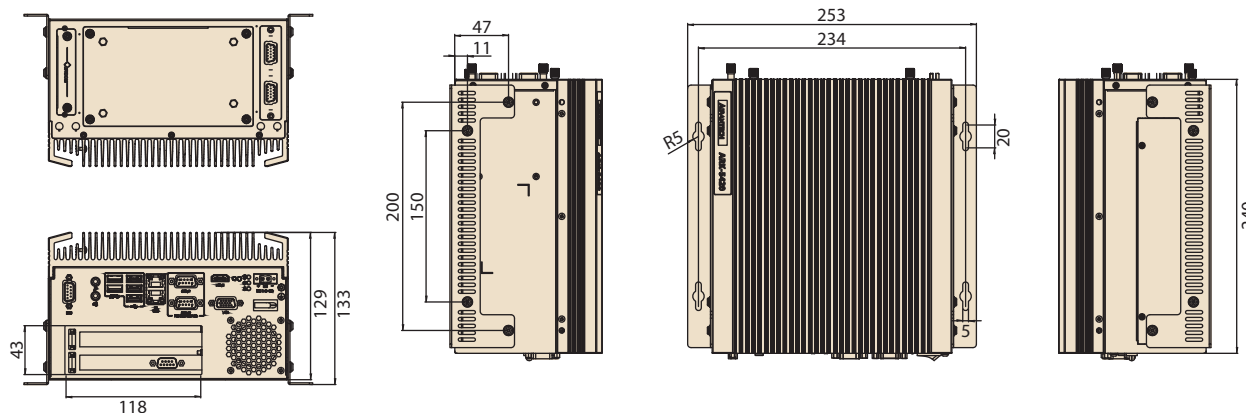


Specifications

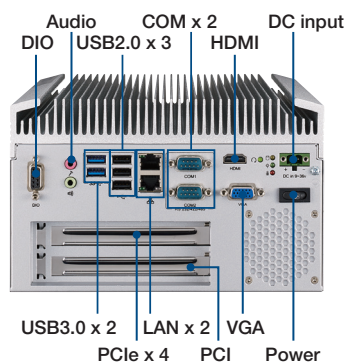
System Chipset	CPU	Intel Core i7-3555LE	Intel i5-3610ME Processor	Intel Celeron 1020E processor
	Max Speed	2.5GHz	2.7 GHz	2.20 GHz
	L3 Cache	6 MB	4 MB	2 MB
	Chipset	Intel HM76		
	BIOS	AMI SPI 64 Mb		
Memory	Technology	DDR3 1333/1600, non ECC		
	On board memory	4 GB on board		
	Socket	1 x 204-pin SODIMM (up to 8GB per DIMM) Note: SODIMM and HDD Tray has mechanism interferences, only 1 x HDD or 1 x CF can be used when you request to expand memory size		
	Maximum Capacity	12 GB		
Display	Chipset	Intel Integrated Graphics HD4000, support Direct x11		
	VGA	1 x DB15, max resolution up to 2048 x 1536		
	HDMI	1 x HDMI, support HDMI1.4 standard, max to 1920 x 1200 @ 60Hz		
	Display Option	Support Dual independent display		
Ethernet	Controller	Intel i210-AT, 10/100/1000 Mbps		
	Interface	2 x RJ-45		
Storage	HDD	Support 1x 2.5"HDD + CF module (Optional function)		
	SSD	1 x internal mSATA (Mini-PCIE interface)		
I/O	USB	2 x USB3.0 + 3x USB 2.0		
	Serial Port	2 x DB9, RS232/422/485 with automatic flow control		
	DIO	1 x DB9, 8-bit		
	Audio	2 (1 x Line-Out, 1 x Mic-in)		
	LPT	1 x DB26 (Front panel, option)		
	PCIE	1 x PCIe4		
Expansion Slot	PCI	1 x PCI32 33Mhz Slot 1 x Internal Mini-PCle (Full-Size)		
	LED	Power x 1/Storage x 1/Fault x 1		
LED & Button	Button	Power on/off Switch x 1 Reset button x 1		
	Power Type	ATX/AT		
Power	Power Input Voltage	9 ~ 36V _{DC}		
	Output	System reset		
Watchdog Timer	Interval	Programmable 1~255 sec/min		
	Temperature	Operating (With Industrial SSD) Operating (with HDD) Non-Operating		
Environment	Humidity	-25 ~ 60° C with 0.7m/S air flow 0 ~ 40° C -40 ~ 85° C		
	Vibration	95% @ 40° C (non-condensing)		
	Shock	With SSD: 2 Grms @ 5 ~ 500 Hz, random, 1 hr/axis With 2.5" HDD: 0.5 Grms @ 5 ~ 500 Hz, random, 1 hr/axis		
	Shock	With SSD: 20G, IEC-68-2-27, half-sine wave, 11 ms duration With 2.5" HDD: 10G, IEC-68-2-27, half-sine wave, 11 ms duration		
Mechanical Features	Dimension (W x H x D)	253 x 129 x 240 mm		
	Install	Desktop/Wall-mounting		
Certifications	EMC	CE/FCC Class A, CCC, BSMI		
	Safety	UL,CCC,BSMI		

Dimensions

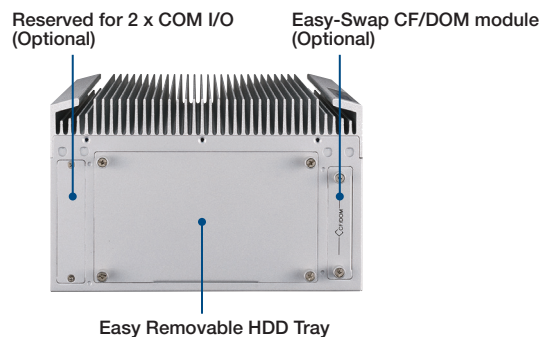
Unit: mm



Front View



Rear View



Ordering Information

Part Number	CPU	VGA	HDMI	USB3/2	GbE	COM	PCIe Exp	PCI Exp	Power
ARK-5420-U5A1E	i7-355LE	1	1	2 + 3	2	2	1(x4)	1	DC9 ~ 36V
ARK-5420-U7A1E	i5-3610ME	1	1	2 + 3	2	2	1(x4)	1	DC9 ~ 36V
ARK-5420-U2A1E	Celeron 1020	1	1	2 + 3	2	2	1(x4)	1	DC9 ~ 36V

Packing List

Part No.	Description
-	ARK-5420
-	1 x Driver CD
1960059401N001	2 x Supporting-angels
1652002205	1 x 2-pin Terminal Block

Optional Accessory

Part No.	Description
1700019592	Parallel cable/D-SUB 25P(F)/IDE#2 26P-2.0 15cm
9692005000E	CF card board
96PSA-A120W24T2	ADP A/D 100-240V 120W 24V
1702002600	Power Cord 3P UL/CSA(USA) 125V 10A 1.83M 180D (for 120W)
1700022940-01	Power cord PSE 7A 125V 3P 3m DAC-ST01 (for 120W)
1702002605	Power cord 2P FRANCE 10A/16A 220V 1.83M 90D (for 120W)
96PSA-A65W19P2-2	ADP A/D 100-240V 65W 19V WO/PFC
1700001524	Power Cord 3P UL 10A 125V 180cm (for 65W)
170203183C	POWER Code 3P Europe (WS-010+WS-083)183cm (for 65W)
1700021376-01	Power Cord 3P PSE 7A 125V 250cm(IEC60320-C5) (for 65W)
PCA-TPM-00A1E	TPM module
PCA-COM232-00A1E	COM 232 module (4xCOM 232 expanded by cable)
98R1542000E	ARK-5420 TPM/COM module Bracket Accessory
98R2542002E	ARK-5420 FAN module accessory

Embedded OS

Part Number	Description
2070013339	Img WES7P ARK-5420 V5.6.6 10muti;sap
2070013330	Image WES2009 ARK-5420 V4.7 10muti;SAP