



# IB SERIES POWER ENTRY MODULE EMI FILTERS



## INTRODUCTIONS

1. Power module incorporates an IEC connector, single or double-fuse (IEC 5 x 20mm) holder, and double-pole power switch, plus an EMI filter all-in-one easy-to-install unit.
2. All part numbers are UL recognized, CSA certified and VDE approved.
3. Switch electrical lifetime: 10,000 cycles. Maximum inrush current: 50A.

## COMPONENTS

PART NO.	Cx (uF)	L (mH)	Cy(pF)	R (Ω)
01IB2D	0.22	7.5	2200	1M
01IB2S				
03IB2D		2.0		
03IB2S				
06IB2D		0.45		
06IB2S				

## MINIMUM INSERTION LOSS IN dB

COMMON MODE (L-G) IN 50 OHM SYSTEM						
CURRENT RATING	FREQUENCY-MHz					
	0.15	0.50	1.0	5.0	10	30
1A	28	40	40	35	35	25
3A	15	30	35	35	40	25
6A	8	15	20	32	40	25
DIFFERENTIAL MODE (L-G) IN 50 OHM SYSTEM						
1A	10	20	28	35	38	35
3A	8	15	20	30	35	35
6A	8	15	15	30	35	35

## TYPE & RATED CURRENT

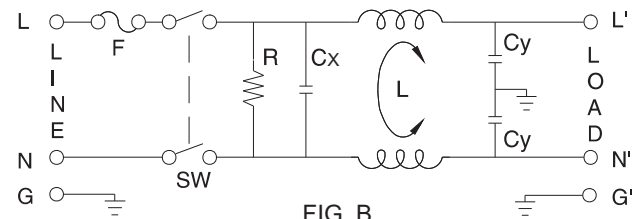
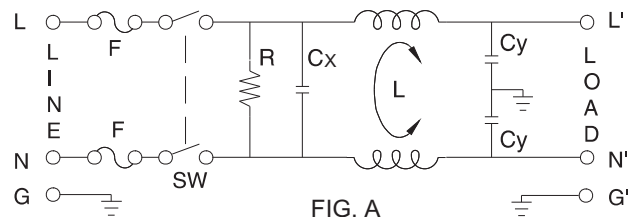
DELTA PART NO.	01IB2D	03IB2D	06IB2D	01IB2S	03IB2S	06IB2S
RATED CURRENT	1A	3A	6A	1A	3A	6A
	115VAC	1A	3A	6A	1A	3A
	250VAC	1A	3A	6A	1A	3A
IEC CONNECTOR						
FUSE	DOUBLE			SINGLE		
•DOUBLE-POLE POWER SWITCH	DOUBLE			DOUBLE		
ELECTRICAL SCHEMATIC	FIG. A			FIG. B		

• UL, CSA, VDE approved current rating: UL/CSA-10A both at 125VAC and 250VAC: VDE-4A/250VAC.

## SPECIFICATIONS

1. Maximum leakage current each line-to-ground @ 115VAC 60Hz: 0.2mA @ 250VAC 50Hz: 0.4mA
2. Hipot rating (one minute) line-to-ground: 2250VDC line-to-line: 1450VDC
3. Operating frequency: 50/60Hz
4. Rated voltage: 115/250VAC

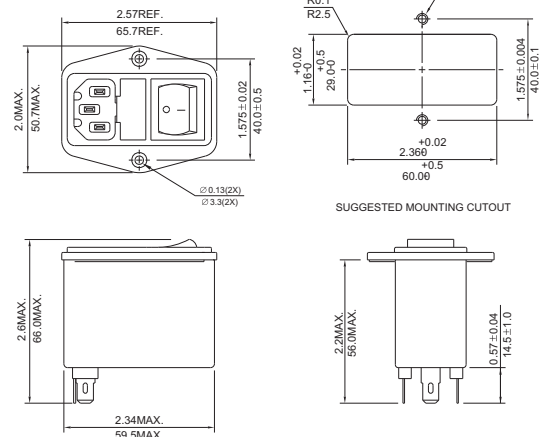
## ELECTRICAL SCHEMATIC



## MECHANICAL CONSTRUCTION



IB2D



UNIT: INCH/mm

POWER ENTRY MODULE FILTERS