

UBC-222

Intel® Quark™ SoC X1000 IoT Gateway

NEW



Features

- Intel® Quark™ Single Core SoC X1000 400 MHz processor
- Onboard DDR3 512MB, 800 MHz memory
- 1 RS-232/422/485 port
- 2 10/100 Ethernet and 1 mini PCIe slot
- Supports Yocto Linux BSP
- Low power consumption, fanless design
- Supports wall mounting and DIN rails

Introduction

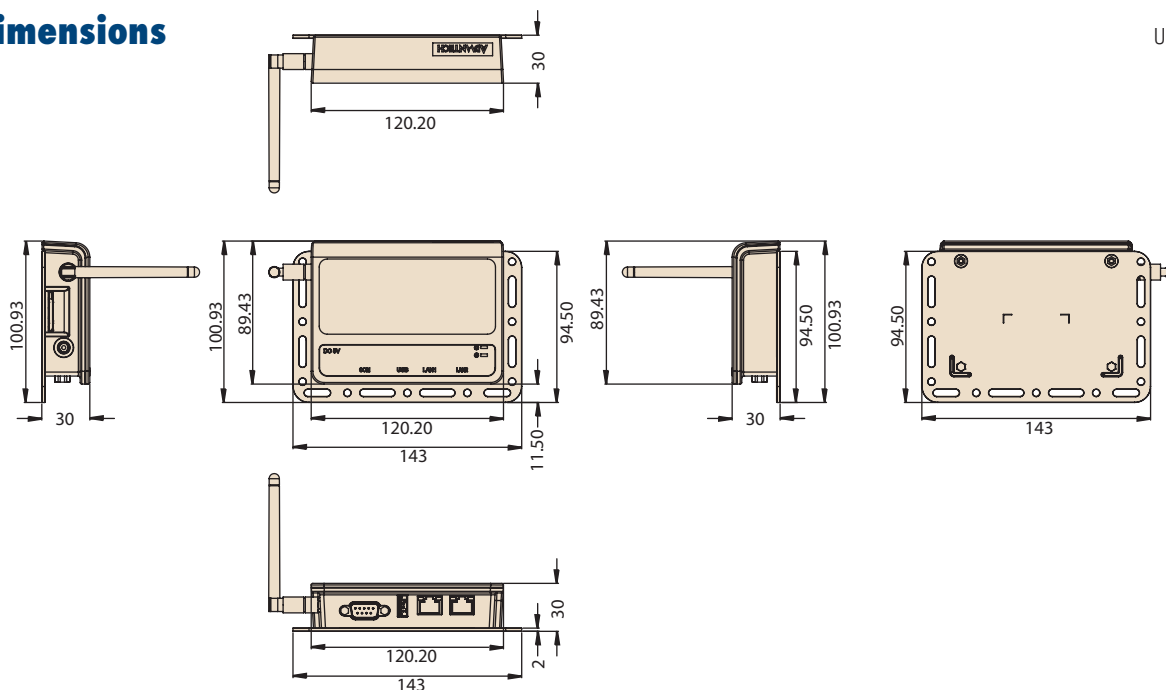
UBC-222 is an economical IoT gateway solution powered by an Intel® Quark™ SoC X1000 processor. With onboard DDR3 memory 512MB and SD-boot support, it provides expandable storage and sufficient system performance for data acquisition and information analysis. Dual 10/100 Ethernet enhance data transmission and the cross-platform communication; COM port supports various standard including RS-232/RS-485/RS-422, which makes UBC-222 capable of connecting different IoT devices efficiently.

Specifications

Form Factor		2.5" Box computer
Processor System	CPU	Intel Quark Single x1000 400MHz
	Technology	DDR3 800 MHz
	Capacity	On-board DDR3 512 MB
	Flash	4 MB of SPI NOR Flash for Advantech's boot loader
Ethernet	Chipset	Intel Quark integrated RMII
	Speed	2 x 10/100 Mbps
Watchdog Timer		From 1~6553s, power on/off 4s
I/O	USB	1 USB 2.0 Host
	SDIO	1 x SD slot
	Serial Port	1 x RS-232/422/485
	CAN	-
	GPIO	-
	LED	1 Green LED for system power 1 Yellow LED for user define
	Button	-
Expansion	Mini PCIe	1 x mini PCIe slot
	SIM	1 x SIM slot
	Antenna Hole	1x Antenna hole
	SD Socket	1 x SD slot
Power	Power Supply Voltage	+5 V
	Power Type	DC-in
	Power Consumption	1.97W (Max)
Environment	Operating Temperature	0 - 60 °C (32 - 140 °F)
	Operating Humidity	5 - 95% relative humidity, non-condensing
Mechanical	Dimensions (L x W x H)	143 x 101 x 30 mm
	Mounting	Wall mount, DIN rail, VESA 75/100 by option
	Weight	210g
Operation System		Yocto Linux
Certifications		CE/FCC Class B

Dimensions

Unit: mm



Ordering Information

Part Number	CPU	Memory	Flash Memory	LAN	GPIO	Mini PCIe	Serial Port	CAN Bus	USB Host	USB OTG	SD	Operating Temperature
UBC-222NS-GLA1E	Intel Quark SoC X1000 400 MHz	DDR3 512 MB	-	2 x 10/100	-	1	1	-	1	-	1	0 ~ 60 °C

Packing List

Part Number	Description
UBC-222NS-GLA1E	UBC-222 IoT Gateway Box Computer

Optional Accessories

Part Number	Description
XRISC-ADP-10HW-AG	Power adapter 100-240V 10W 5V USB interface
1700025431-01	USB to DC-in cable
1700021565-01	Debug cable
SQF-ISDS1-2G-86E	SQFlash SD card SLC 2G (-40 ~ 85 °C)

External I/O

