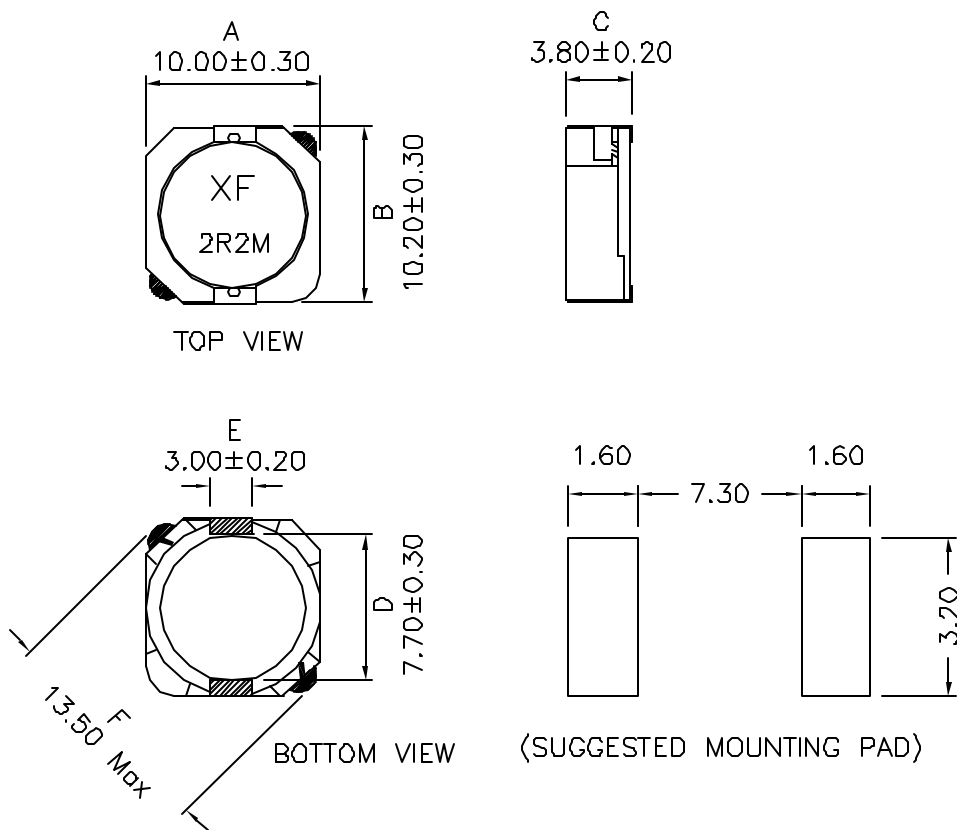
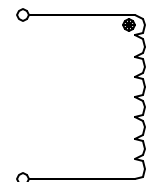


1. Mechanical Dimensions:



2. Schematic:



3. Electrical Specification:

OCL: 2.2uH \pm 0% @100KHz, 0.1V
 Isat: 7.00A (Based on 10% drop in OCL)
 Irated: 6.50A (Based on 40°C Temp. Rise)
 DCR: 0.010 Ohms Max
 SRF: 72MHz Typ

Notes:

1. Solderability: Leads shall meet MIL-STD-2026, Method 208H for solderability.
2. Flammability: UL94V-0
3. ASTM oxygen index: > 28%
4. Insulation System: Class F 155°C. UL file E151556
5. Operating Temperature Range: All listed parameters are to be within tolerance from -40°C to +85°C
6. Storage Temperature Range: -55°C to +125°C
7. Aqueous wash compatible
8. SMD Lead Coplanarity: $\pm 0.004"$ (0.102mm)
9. Electrical and mechanical specifications 100% tested
10. RoHS Compliant Component

XFMR5 Inc www.XFMR5.com	Title: HIGH CURRENT SELF-LEADED SMT INDUCTORS		
	P/N: XFTPRH104-2R2M	REV. A	
UNLESS OTHERWISE SPECIFIED TOLERANCES: .xx \pm 0.25 Dimensions in MM	DWN.	Juan Mao	May-04-07
	CHK.	YK liao	May-04-07
	APP.	BW	May-04-07
SHEET 1 OF 1			

DOC. REV: A/2