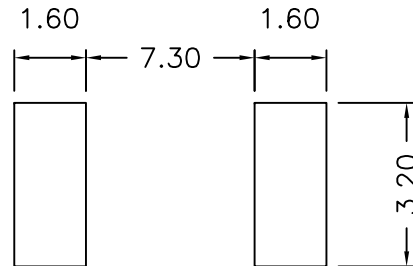
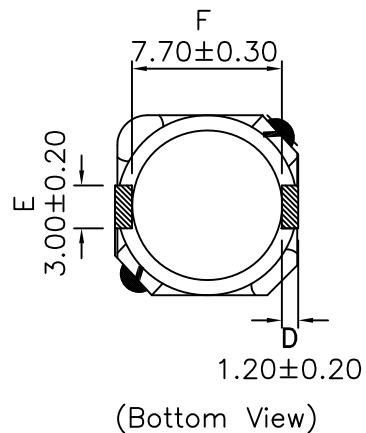
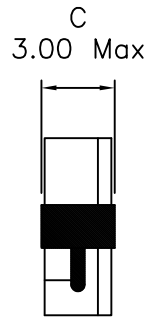
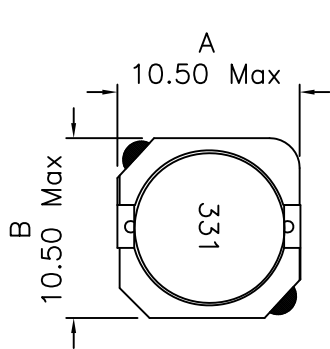
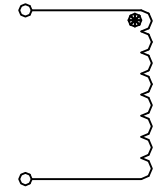


1. Mechanical Dimensions:



Suggested Pad Layout

2. Schematic:



3. Electrical Specification:

OCL: $330\mu\text{H} \pm 20\%$ @100KHz 0.25V

I_{sat} : 0.40A Max (Based on 10% drop in OCL)

I_{rms} : 0.41A (Based on 40°C Temp Rise)

DCR: 2.50 Ohms Max

Q : 8 Min @100KHz 0.25V

Notes:

1. Solderability: Leads shall meet MIL-STD-202G, Method 208H for solderability.
2. Flammability: UL94V-0
3. ASTM oxygen index: > 28%
4. Insulation System: Class F 155°C. UL file E151556
5. Operating Temperature Range: All listed parameters are to be within tolerance from -40°C to +85°C
6. Storage Temperature Range: -55°C to +125°C
7. Aqueous wash compatible
8. SMD Lead Coplanarity: $\pm 0.004''$ (0.102mm)
9. Electrical and mechanical specifications 100% tested
10. RoHS Compliant Component

DOC REV: A/3

XFMRs Inc. www.XFMRs.com	Title: HIGH CURRENT SELF-LEADED SMT INDUCTORS		
UNLESS OTHERWISE SPECIFIED TOLERANCES: .xx ±0.25 Dimensions in MM	P/N: XFTPRH103-331M		REV. A
	DWN.	Yuan	Aug-05-15
	CHK.	YK Liao	Aug-05-15
	APP.	BSJ	Aug-05-15
SHEET 1 OF 1			