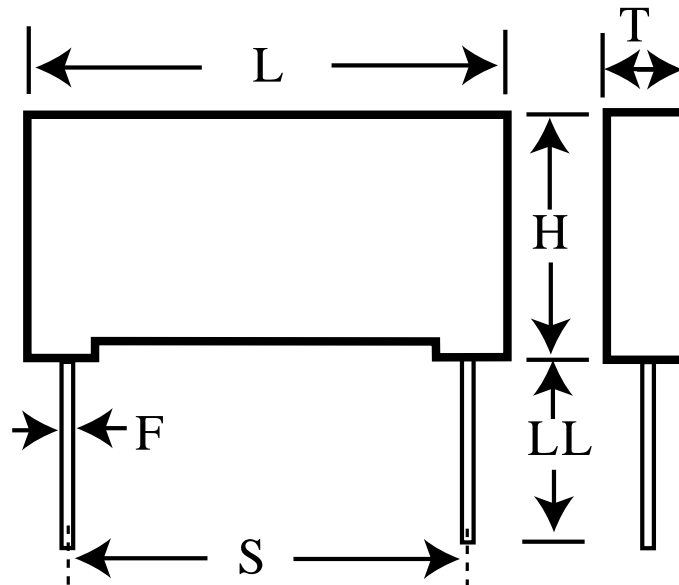


R46KI315000P0M

aka 46KI315000P0M

Capacitor, film, 0.15 uF, +/-20% Tol, -40/+110C, Safety: X2, 275VAC,
Lead Spacing=15 mm



Dimensions (mm)

Specifications

ID	Dimension	Tolerance	Manufacturer:	KEMET
L	18	+0.3	Brand:	Arcotronics
H	11	+0.1	Capacitance:	0.15 uF
T	5	+0.2	Temperature Range:	-40/+110C
S	15		Rated Temperature:	105C
LL	4	+2	Voltage @ rated temp:	560V
F	0.6	+/-0.05	Voltage AC:	275VAC
			Tolerance:	+/-20%
			Body Type:	Radial Box
			Construction:	Wound
			Application:	Safety: X2
			Dielectric:	Metallized Polypropylene
			Dissipation Factor @ 1 kHz:	0.1%
			Insulation Resistance:	100 GOhm
			Maximum dVdT:	400v/us
			UL_1414:	250V
			UL_1283:	310V
			IEC_60384-14:	275V
			CSA_384-14:	275V
			CQC_GB/T 14472:	275V
			Package Kind:	Bulk
			Package Type:	Bag
			Package Quantity:	2000