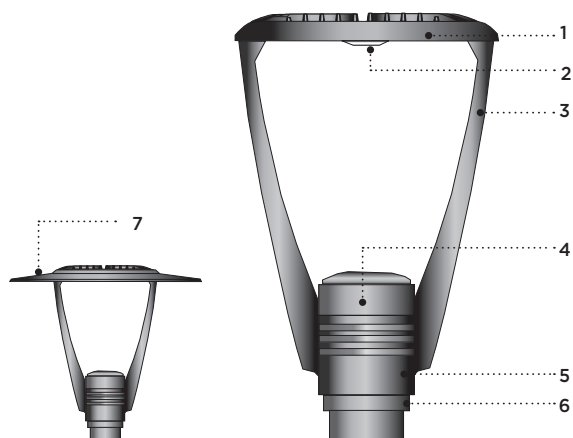


TYPE: \_\_\_\_\_ QUANTITY: \_\_\_\_\_ PROJECT: \_\_\_\_\_

CATALOG NUMBER:

FIXTURE    WATTAGE    VOLTAGE    FINISH    OPTION    OPTION    OPTION    OPTION



- 1- Cast aluminum LED heat sink.
- 2- Optical system assembly.
- 3- Set of two cast aluminum supporting struts.
- 4- Removable cast aluminum cover for easy access to electrical components and driver.
- 5- LED driver housing.
- 6- Lower cast aluminum housing to fit with 4" (102) or 5" (127) O.D pole. 6" (152) O.D available on request.
- 7- 30" Diameter hard aluminum shade (MA21 only).

MA20



MA21



### MATERIALS

MayaLED is made of corrosion resistant 356 aluminum alloy with a copper (CU) content of less than 0.1%.

COB LED is assembled on a thick pad housing chamber designed with a heat sink pattern to optimize heat dissipation and luminaire efficacy. The power supply is enclosed in an isolated chamber allowing a quick access for electrical maintenance without disturbing the optical light chamber.

COB LED is removable and replaceable for ease of maintenance or lighting upgrade.

### ELECTRICAL

#### LED

**POWER SUPPLY** Standard driver is 0-10V dimming-ready (dims to 10%) with: 120-277 multi-volt compatibility (50-60Hz), operating temperature range of -30°C/-22°F to 60°C/140°F, output over voltage protection, output over current protection and output short circuit protection with auto-recovery.

#### LED

Type II, III, IV or V light distribution via high performance optical lenses. Standard 4000K/80CRI. Optional 2700K, 3000K, 3500K and 5000K.

### LIFE

125,000hrs (L<sub>70B50</sub>) based on LM-80 report for lumen maintenance.

### FINISH

Five-stage preparation process includes preheating of cast aluminum parts for air extraction. Polyester powder coating is applied through an electrostatic process, and oven cured for long term finish.

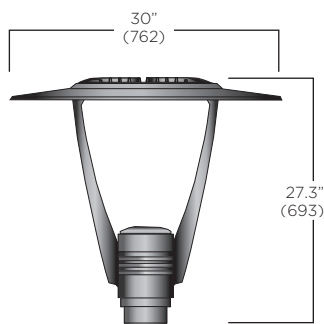
### MOUNTING

Maximum weight: 26lbs (12kg)

MayaLED is designed for ease of access and installation. Designed for wall or pole mount to fit with a 4" (102) or 5" (127) pole. 6" (152) available on request. Alternate poles or wall attachments are available to meet multiple installation conditions. (Refer to page 3)

### CERTIFICATION

Tested to UL1598 and CSA22.2 #250. ETL listed for wet location. Photometric testing performed by an independent laboratory in accordance with IES LM-79-08 standards at 25°C/77°F. Lumen depreciation in accordance with IESNA LM80 standards. CE Certification on request. Rated IP66.



**MA21**  
Luminaire with shade.  
EPA: 1.10





**MA20**  
Luminaire less shade.  
EPA: 0.93

# MA20/MA21 SERIES

MAYA - LED

## LUMINAIRE SELECTION

MODEL#	LED LIGHT SELECTION (4000K/80CRI)				VOLTAGE <sup>1</sup>	FINISH
 <input type="checkbox"/> MA20	Type II	INPUT WATTS	DELIVERED LUMENS	MODEL	<input type="checkbox"/> 120V <input type="checkbox"/> 277V  Optional <input type="checkbox"/> 347V <input type="checkbox"/> 480V	<b>STANDARD COLORS</b>  <input type="checkbox"/> WHT Snow white <input type="checkbox"/> BKT Jet black <input type="checkbox"/> BZT Bronze <input type="checkbox"/> MST Matte silver <input type="checkbox"/> GRT Titanium gray <input type="checkbox"/> DGT Gun metal <input type="checkbox"/> CHT Champagne <input type="checkbox"/> SGT Steel Gray  <b>OPTIONAL COLORS</b>  <input type="checkbox"/> CS Custom color <input type="checkbox"/> RAL RAL# color  (Refer to color chart)
		34W	4170	<input type="checkbox"/> MA20-L1W30r1-R2		
	Type III	69W	7994	<input type="checkbox"/> MA20-L2W30r1-R2	<input type="checkbox"/> MA21-L2W30r1-R2	
		112W	11029	<input type="checkbox"/> MA20-L3W30r1-R2	<input type="checkbox"/> MA21-L3W30r1-R2	
	Type IV	138W	13284	<input type="checkbox"/> MA20-L3W46r0-R2	<input type="checkbox"/> MA21-L3W46r0-R2	
		38W	4395	<input type="checkbox"/> MA20-L1W30r1-R3	<input type="checkbox"/> MA21-L1W30r1-R3	
 <input type="checkbox"/> MA21	Type V	76W	8697	<input type="checkbox"/> MA20-L2W30r1-R3	<input type="checkbox"/> MA21-L2W30r1-R3	
		111W	11177	<input type="checkbox"/> MA20-L3W30r1-R3	<input type="checkbox"/> MA21-L3W30r1-R3	
	Type V	135W	12697	<input type="checkbox"/> MA20-L3W46r0-R3	<input type="checkbox"/> MA21-L3W46r0-R3	
		38W	4493	<input type="checkbox"/> MA20-L1W30r1-R4	<input type="checkbox"/> MA21-L1W30r1-R4	
	Type V	75W	8482	<input type="checkbox"/> MA20-L2W30r1-R4	<input type="checkbox"/> MA21-L2W30r1-R4	
		111W	11105	<input type="checkbox"/> MA20-L3W30r1-R4	<input type="checkbox"/> MA21-L3W30r1-R4	
	Type V	135W	12378	<input type="checkbox"/> MA20-L3W46r0-R4	<input type="checkbox"/> MA21-L3W46r0-R4	
		36W	4243	<input type="checkbox"/> MA20-L1W30r1-R5	<input type="checkbox"/> MA21-L1W30r1-R5	
	Type V	69W	7937	<input type="checkbox"/> MA20-L2W30r1-R5	<input type="checkbox"/> MA21-L2W30r1-R5	
		113W	11274	<input type="checkbox"/> MA20-L3W30r1-R5	<input type="checkbox"/> MA21-L3W30r1-R5	
	Type V	139W	12639	<input type="checkbox"/> MA20-L3W46r0-R5	<input type="checkbox"/> MA21-L3W46r0-R5	
		<b>AMBER LED LIGHT SELECTION</b>				
		INPUT WATTS	DELIVERED LUMENS	MODEL		
		17W	388	<input type="checkbox"/> MA20-L1W18K2A	<input type="checkbox"/> MA21-L1W18K2A	
		34W	776	<input type="checkbox"/> MA20-L2W18K2A	<input type="checkbox"/> MA21-L2W18K2A	
		51W	1164	<input type="checkbox"/> MA20-L3W18K2A	<input type="checkbox"/> MA21-L3W18K2A	

**NOTE:** Above wattage values are based on 277V, tested at 25°C/ 77°F ambient temperature.  
 Wattage may vary by approx. +/- 10% for other voltages, or due to changes in ambient temperature.  
 Lumen output will remain constant.

## OPTIONS

### ELECTRICAL

- PH Photocell<sup>2</sup>
- FS Fuse<sup>2</sup>
- SP Surge protector 10KV
- MSD Motion sensor device (Hi/Low to 25%)<sup>3</sup>

### ACCESSORIES

- BLC Back light control<sup>4</sup>

### MOUNTING

- AC8 Pole mount attachment with 45° support
- 2AC8 Double pole mount attachment with 45° support at 180°
- ACW Wall mount attachment with 45° support
- EC8P Pole mount attachment with stacked arm
- 2EC8P Double pole mount attachment with stacked arms at 180°
- EC8PS Pole mount attachment with short stacked arm (MA20 only)
- 2EC8PS Double pole mount attachment with short stacked arms at 180° (MA20 only)
- EC8W Wall mount attachment with stacked arm
- EC8WS Wall mount attachment with short stacked arm (MA20 only)
- TN3 3" Tenon pole adaptor<sup>5</sup>
- PR8 Pedestal mount adaptor

### LIGHT

Alternate CCT %K LED (LCF: Lumen conversion factor)

- K27 2700K CCT 80 CRI (LCF: 0.91)
- K3 3000K CCT 80 CRI (LCF: 0.94)
- K35 3500K CCT 80 CRI (LCF: 0.983)
- K5 5000K CCT 80 CRI (LCF: 1.01)

NOTE: Other CCT & higher CRI available, please consult factory.

### NOTES

- 1- If no voltage is specified, luminaires are factory prewired by default for 120V. For other voltages, please specify with catalog number, or consult factory.
- 2- Fuse and photocell options are normally installed with poles when specified with Luminis luminaires. (Except for other types of mounting.)
- 3- MSD: The sensor is integral to the luminaire. One sensor is required for up to 250° coverage and two sensors are required for 360° coverage.
- 4- BLC: Back Light Control - Type II Distribution.
- 5- 3" tenon pole adaptor only required for 3" O.D. poles by others.

# LUMINIS®

LUMINIS | Toll free: 866.586.4647 Fax: 514.683.8872 Email: info@luminis.com  
 260 Labrosse, Pointe-Claire (QC) Canada H9R 5L5

LUMINIS.COM

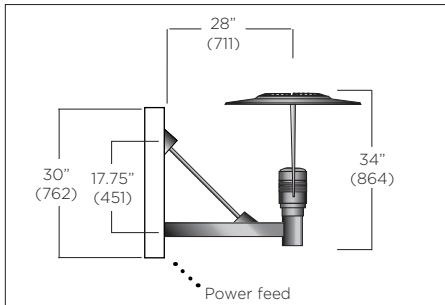
Luminaires may be altered for design improvement or discontinued without prior notice.

August 2017

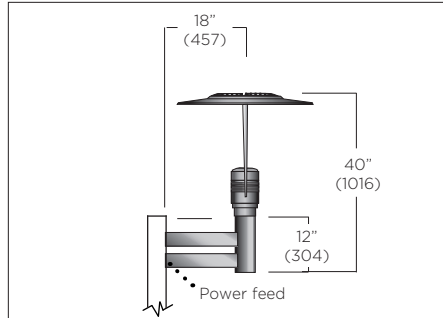
# MA20/MA21 SERIES

MAYA - LED

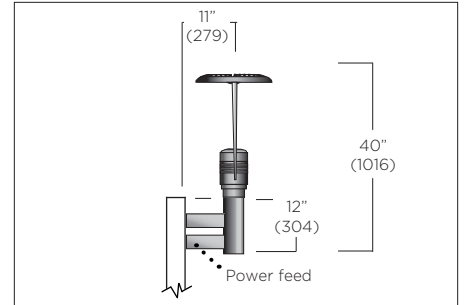
## POLE MOUNT



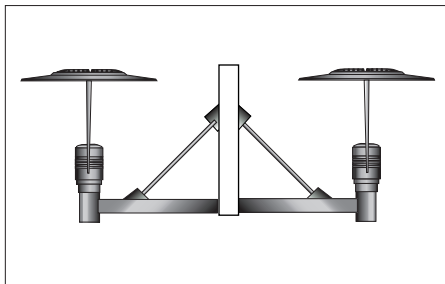
**AC8**  
1" X 3" (25X76) extruded aluminum extended arm pole mounting adaptor designed to fit with 4 to 5" dia. poles. 1/2" dia. X 45° standard natural stainless steel rod support. (EPA: 0.7)



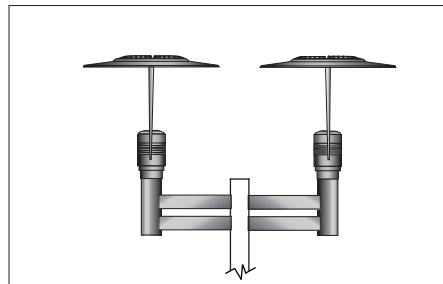
**EC8P (Applicable for MA20 and MA21)**  
Set of (2) 1" X 3" (25X76) extruded aluminum side pole straight mounting. Pole mounting adaptor fits with 4 to 5" dia. poles. (EPA: 0.97)



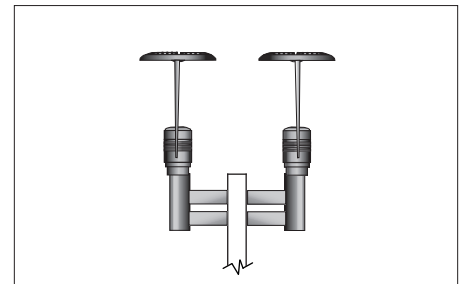
**EC8PS (Applicable for MA20 only)**  
Set of (2) 1" X 3" (25X76) extruded aluminum side pole straight mounting. Pole mounting adaptor fits with 4 to 5" dia. poles. (EPA: 0.72)



**2AC8**  
Double pole mount attachment with 45° support at 180°



**2EC8P (Applicable for MA20 and MA21)**  
Double pole mount attachment with stacked arms at 180°



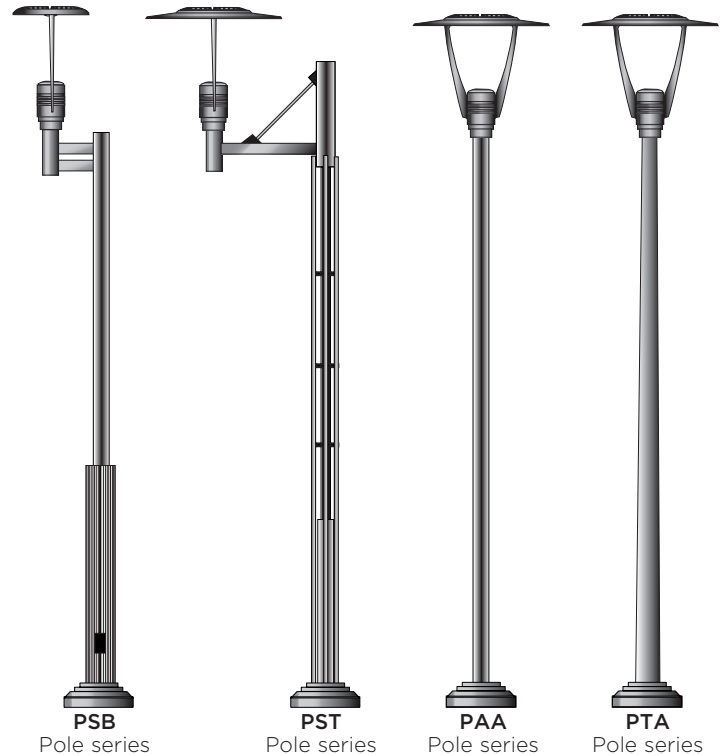
**2EC8PS (Applicable for MA20 only)**  
Double pole mount attachment with short stacked arms at 180°

**NOTE:** PST Pole with AC8 or 2AC8 attachment requires a 30" (762) tenon extension over pole nominal height.  
EC8P, 2EC8P, EC8PS and 2EC8PS require an 18" tenon extension.  
Factory installed.

## MATCHING POLE SELECTION

Ø 4"	Ø 5"	Ø 4"	Tapered Pole	Ø 4"	Height
PAA410	PAA510	PST10	-----	PSB10	10 Ft. (3 M)
PAA412	PAA512	PST12	-----	PSB12	12 Ft. (3,6 M)
PAA414	PAA514	PST14	-----	PSB14	14 Ft. (4,2 M)
PAA416	PAA516	PST16	PTA16	PSB16	16 Ft. (4,8 M)
PAA418	PAA518	-----	PTA18	PSB18	18 Ft. (5,5 M)
PAA420	PAA520	-----	PTA20	PSB20	20 Ft. (6,0 M)
-----	-----	-----	PTA25	-----	25 Ft. (7,6 M)

For additional pole details, please refer to separate pole specification sheet.  
Ø 4"= 102mm Ø5"= 127mm



**LUMINIS**®

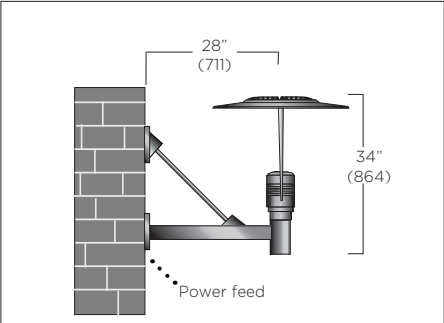
LUMINIS | Toll free: 866.586.4647 Fax: 514.683.8872 Email: info@luminis.com  
260 Labrosse, Pointe-Claire (QC) Canada H9R 5L5

LUMINIS.COM

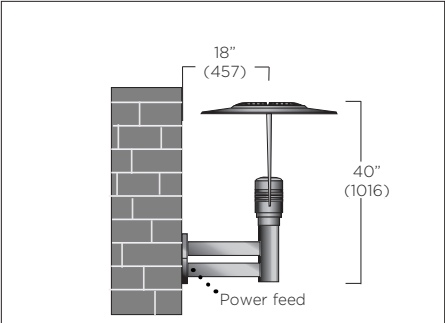
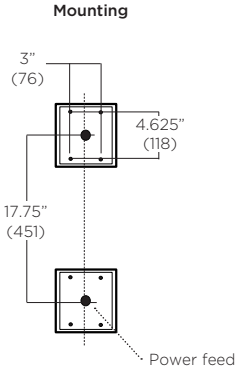
Luminaires may be altered for design improvement or discontinued without prior notice.

August 2017

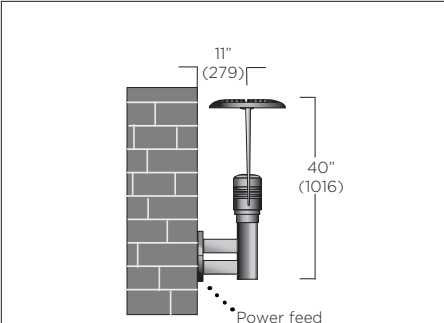
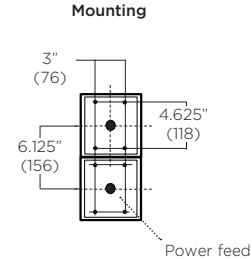
## WALL MOUNT



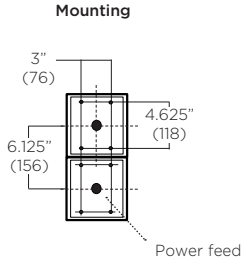
**ACW**  
 1" X 3" (25X76) extruded aluminum extended arm wall mounting adaptor with cast aluminum covers and galvanized steel mounting plates. 1/2" dia. X 45° standard natural stainless steel rod support.



**EC8W (Applicable for MA20 and MA21)**  
 Set of (2) 1" X 3" (25X76) extruded aluminum wall mount arms with cast aluminum wall plate.

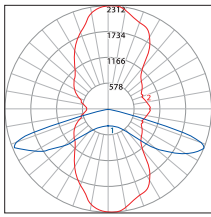


**EC8WS (Applicable for MA20 only)**  
 Set of (2) 1" X 3" (25X76) extruded aluminum wall mount arms with cast aluminum wall plate.



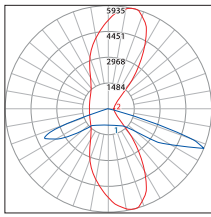
### TYPICAL PHOTOMETRY SUMMARY

#### TYPE II



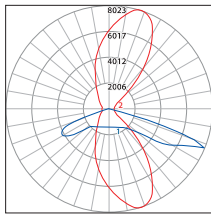
**MA20-L1W30r1-R2**  
**MA21-L1W30r1-R2**

Total Lumens: 4170 Lms  
Total Input Watts: 34.33W  
Efficacy: 121.47 Lms/W  
BUG Rating: B2-U0-G2  
Cutoff Class: Full Cutoff  
CCT/CRI: 4000K/80  
Max Candela:  
2312 @ 85°H/67.5°V



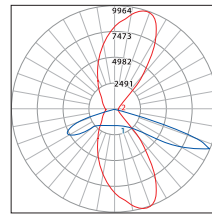
**MA20-L2W30r1-R2**  
**MA21-L2W30r1-R2**

Total Lumens: 7994 Lms  
Total Input Watts: 68.66W  
Efficacy: 116.43 Lms/W  
BUG Rating: B3-U0-G3  
Cutoff Class: Full Cutoff  
CCT/CRI: 4000K/80  
Max Candela:  
5935 @ 77.5°H/67.5°V



**MA20-L3W30r1-R2**  
**MA21-L3W30r1-R2**

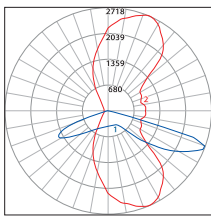
Total Lumens: 11029 Lms  
Total Input Watts: 111.74W  
Efficacy: 98.7 Lms/W  
BUG Rating: B3-U0-G3  
Cutoff Class: Full Cutoff  
CCT/CRI: 4000K/80  
Max Candela:  
8023 @ 72.5°H/67.5°V



**MA20-L3W46r0-R2**  
**MA21-L3W46r0-R2**

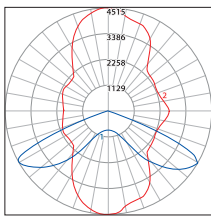
Total Lumens: 13284 Lms  
Total Input Watts: 138.42W  
Efficacy: 95.97 Lms/W  
BUG Rating: B3-U0-G3  
Cutoff Class: Full Cutoff  
CCT/CRI: 4000K/80  
Max Candela:  
9964 @ 70°H/67.5°V

#### TYPE III



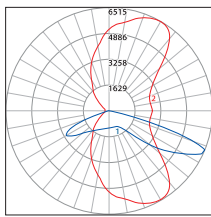
**MA20-L1W30r1-R3**  
**MA21-L1W30r1-R3**

Total Lumens: 4395 Lms  
Total Input Watts: 38.3W  
Efficacy: 114.75 Lms/W  
BUG Rating: B2-U0-G2  
Cutoff Class: Full Cutoff  
CCT/CRI: 4000K/80  
Max Candela:  
2718 @ 65°H/70°V



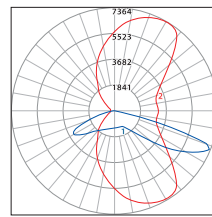
**MA20-L2W30r1-R3**  
**MA21-L2W30r1-R3**

Total Lumens: 8697 Lms  
Total Input Watts: 75.59W  
Efficacy: 115.05 Lms/W  
BUG Rating: B3-U0-G3  
Cutoff Class: Full Cutoff  
CCT/CRI: 4000K/80  
Max Candela:  
4515 @ 90°H/60°V



**MA20-L3W30r1-R3**  
**MA21-L3W30r1-R3**

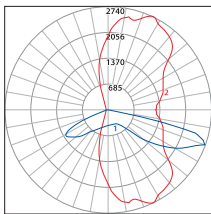
Total Lumens: 11177 Lms  
Total Input Watts: 110.83W  
Efficacy: 100.85 Lms/W  
BUG Rating: B3-U0-G3  
Cutoff Class: Full Cutoff  
CCT/CRI: 4000K/80  
Max Candela:  
6515 @ 60°H/67.5°V



**MA20-L3W46r0-R3**  
**MA21-L3W46r0-R3**

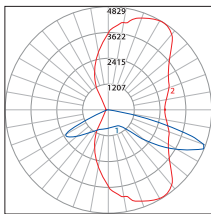
Total Lumens: 12697 Lms  
Total Input Watts: 135.09W  
Efficacy: 93.99 Lms/W  
BUG Rating: B3-U0-G3  
Cutoff Class: Full Cutoff  
CCT/CRI: 4000K/80  
Max Candela:  
7364 @ 60°H/67.5°V

#### TYPE IV



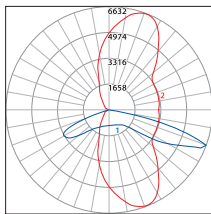
**MA20-L1W30r1-R4**  
**MA21-L1W30r1-R4**

Total Lumens: 4493 Lms  
Total Input Watts: 38.25W  
Efficacy: 117.46 Lms/W  
BUG Rating: B2-U1-G1  
Cutoff Class: Full Cutoff  
CCT/CRI: 4000K/80  
Max Candela:  
2740 @ 65°H/70°V



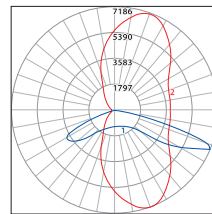
**MA20-L2W30r1-R4**  
**MA21-L2W30r1-R4**

Total Lumens: 8482 Lms  
Total Input Watts: 75.21W  
Efficacy: 112.78 Lms/W  
BUG Rating: B2-U1-G2  
Cutoff Class: Full Cutoff  
CCT/CRI: 4000K/80  
Max Candela:  
4829 @ 57.5°H/67.5°V



**MA20-L3W30r1-R4**  
**MA21-L3W30r1-R4**

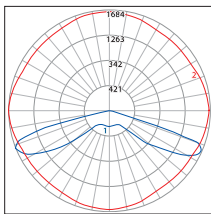
Total Lumens: 11105 Lms  
Total Input Watts: 111.47W  
Efficacy: 99.62 Lms/W  
BUG Rating: B3-U1-G3  
Cutoff Class: Full Cutoff  
CCT/CRI: 4000K/80  
Max Candela:  
6632 @ 67.5°H/70°V



**MA20-L3W46r0-R4**  
**MA21-L3W46r0-R4**

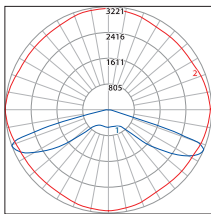
Total Lumens: 12378 Lms  
Total Input Watts: 135.24W  
Efficacy: 91.53 Lms/W  
BUG Rating: B3-U1-G3  
Cutoff Class: Full Cutoff  
CCT/CRI: 4000K/80  
Max Candela:  
7186 @ 67.5°H/67.5°V

#### TYPE V



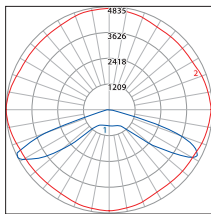
**MA20-L1W30r1-R5**  
**MA21-L1W30r1-R5**

Total Lumens: 4243 Lms  
Total Input Watts: 35.71W  
Efficacy: 118.82 Lms/W  
BUG Rating: B3-U0-G1  
Cutoff Class: Full Cutoff  
CCT/CRI: 4000K/80  
Max Candela:  
1684 @ 67.5°V



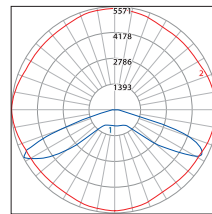
**MA20-L2W30r1-R5**  
**MA21-L2W30r1-R5**

Total Lumens: 7937 Lms  
Total Input Watts: 68.67W  
Efficacy: 115.58 Lms/W  
BUG Rating: B3-U0-G2  
Cutoff Class: Full Cutoff  
CCT/CRI: 4000K/80  
Max Candela:  
3221 @ 65°V



**MA20-L3W30r1-R5**  
**MA21-L3W30r1-R5**

Total Lumens: 11274 Lms  
Total Input Watts: 113.27W  
Efficacy: 99.53 Lms/W  
BUG Rating: B4-U0-G2  
Cutoff Class: Full Cutoff  
CCT/CRI: 4000K/80  
Max Candela:  
4835 @ 62.5°V



**MA20-L3W46r0-R5**  
**MA21-L3W46r0-R5**

Total Lumens: 12639 Lms  
Total Input Watts: 138.6W  
Efficacy: 91.19 Lms/W  
BUG Rating: B4-U0-G2  
Cutoff Class: Full Cutoff  
CCT/CRI: 4000K/80  
Max Candela:  
5571 @ 67.5°V

Please visit our web site [www.luminis.com](http://www.luminis.com) for complete I.E.S formatted download data.  
All published photometric data are executed and certified by an independent testing laboratory.