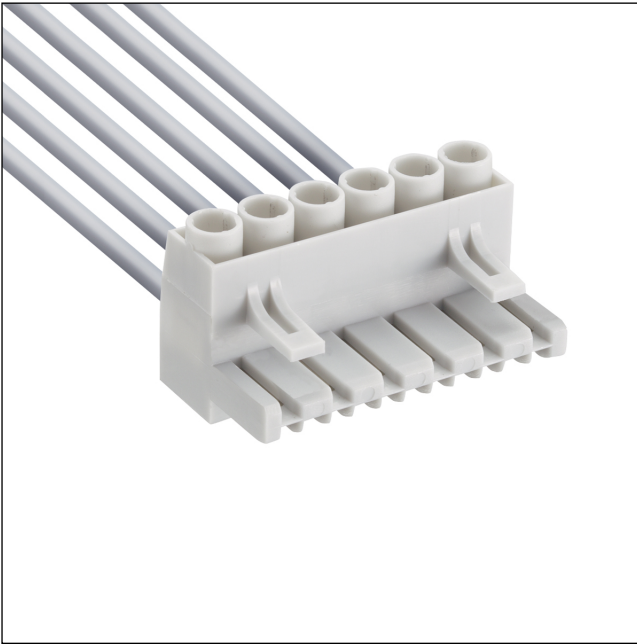


65 KS

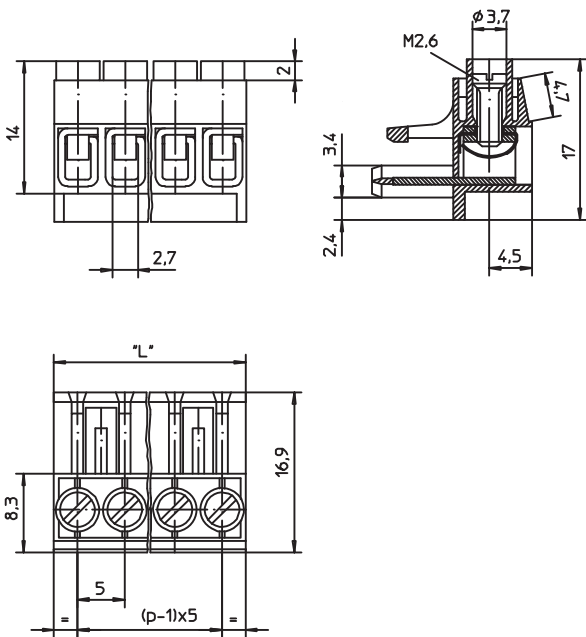
Pluggable screw terminal blocks on socket boards, pitch 5.0 mm



Pluggable screw terminal block, clamp with wire protection, consecutive placement without loss of pitch, without side walls

Approvals:  

65 KS



Environmental conditions

Temperature range -25 °C/+100 °C

Materials

Insulating body	PA, V-2 according to UL94
Clamp	CuZn, silver-plated
Wire protector	CuSn, silver-plated
Screw	steel, zinc-plated and chromatiert

Mechanical data

Screw size	M2,6
Tightening torque screw	0,4 Nm

Connectable conductors for screw clamp

Section $\leq 4,0 \text{ mm}^2$

Electrical data (at $T_{\text{amb}} 20 \text{ °C}$)

Rated current	10 A
Rated voltage	250 V AC
Rated impulse voltage	3 kV/60 s
Tracking resistance	CTI 600
Creepage distance	$\geq 4,0 \text{ mm}$
Clearance	$\geq 3,5 \text{ mm}$

Associated products

Counterparts
 ☞ KB ☞ KBQ ☞ KBW
 ☞ KBWO

65

KS

Designation	Pole Number	PU (Pieces)	MDQ (Pieces)	Dimensions L (mm)
KS 02	2	200	2000	10
KS 03	3	200	2000	15
KS 04	4	200	2000	20
KS 05	5	200	2000	25
KS 06	6	200	2000	30
KS 07	7	200	2000	35
KS 08	8	200	2000	40
KS 09	9	200	2000	45
KS 10	10	200	2000	50

Packaging:

in bulk, in a cardboard box