

**SWITCHING DIODE**

- METALLURGICALLY BONDED
- HERMETICALLY SEALED
- DOUBLE PLUG CONSTRUCTION

*Qualified per MIL-PRF-19500/241*

**DEVICES**
**1N3595AUR-1**
**LL3595A**
**MLL3595A**
**LEVELS**
**JAN  
 JANTX  
 JANTXV**
**MAXIMUM RATING AT 25°C**

Operating Temperature:	-65°C to +175°C
Storage Temperature:	-65°C to +175°C
Surge Current A, sine 1S:	500mA
Surge Current A, sine 1μS:	4A
Total Power Dissipation:	500mW
Operating Current:	150mA, T <sub>A</sub> = +25°C
D.C. Reverse Voltage (VRWM):	125V

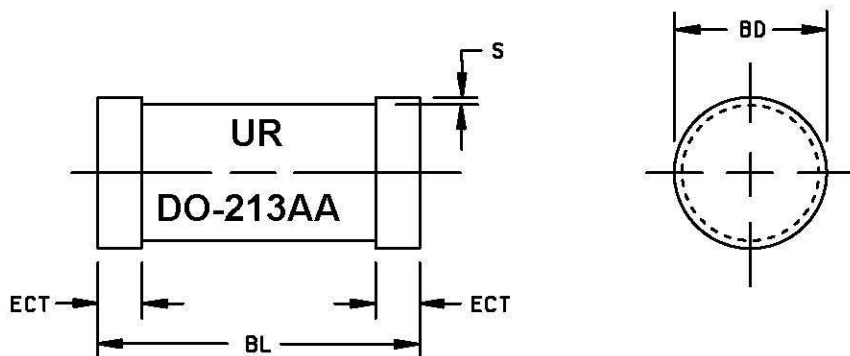

**DC ELECTRICAL CHARACTERISTICS**

V <sub>F</sub>				I <sub>R</sub>				V <sub>BR</sub>			
Ambient (°C)	I <sub>F</sub> mA	Min V	Max V	Ambient (°C)	V <sub>R</sub> V (dc)	Min μA	Max μA	Ambient (°C)	I <sub>R</sub> μA	Min V	Max V
25	1	0.52	0.70	25	125	-	0.002	-55	100	150	-
25	5	0.60	0.765	150	125	-	3				
25	10	0.65	0.80								
25	50	0.74	0.88								
25	100	0.79	0.92								
25	200	0.83	1.00								

**DO-213AA**
**AC ELECTRICAL CHARACTERISTICS AT 25°C**

	Min	Max	Unit
Capacitance @ 0V	-	8.0	pF
T <sub>RR</sub> @ I <sub>F</sub> = 10mA V <sub>R</sub> = 35V	-	3.0	μsec

## PACKAGE DIMENSIONS



**NOTE:**

1. Dimensions are in inches.
2. Millimeters are given for general information only.
3. Dimensions are pre-solder dip.
4. Referencing to dimension S, minimum clearance of glass body to mounting surface on all orientations.
5. In accordance with ASME Y14.5M, diameters are equivalent to  $\phi$ x symbology.

Ltr	Dimensions				Notes
	Inches		Millimeters		
	Min	Max	Min	Max	
BD	.063	.067	1.60	1.70	
BL	.130	.146	3.30	3.70	
ECT	.016	.022	0.41	0.55	
S	.001 Min		0.03 Min		

**DESIGN DATA**

**Case:** Hermetically sealed glass package per MIL-PRF-19500/241 DO-213AA outline

**Lead Material:** Copper clad steel

**Lead Finish:** Tin / Lead

**Thermal Impedance ( $Z_{\theta JX}$ ):** 70°C/W maximum

**Polarity:** Cathode end is banded

**FIGURE 1. Physical dimensions - 1N3595UR-1, 1N3595AUR-1 (DO-213AA)**