

03

0369 V109

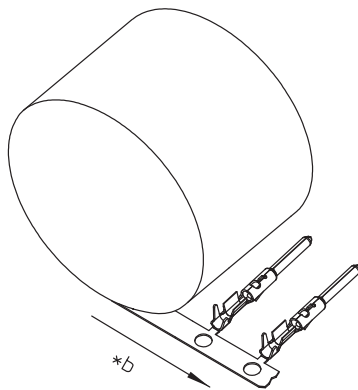
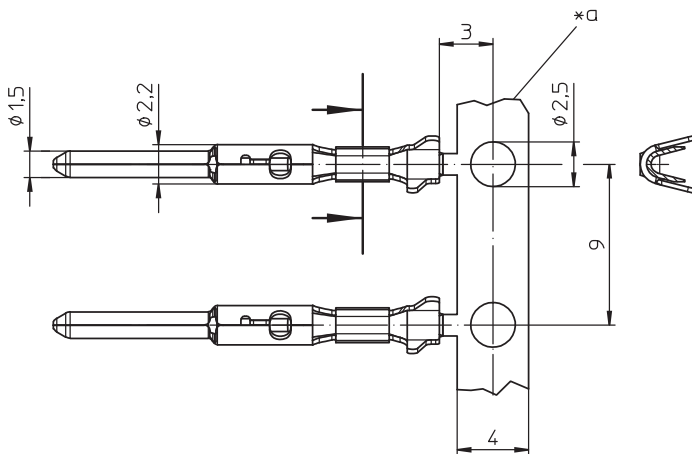
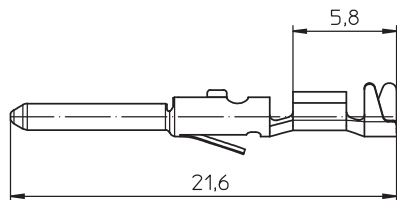
Circular connectors with threaded joint M16 acc. to IEC 61076-2-106, IP40/IP67/IP68



Crimp contact, contact pin gold-plated

03

0369 V109



\*a supporting strip  
\*b unreeled direction

#### Environmental conditions

Temperature range -40 °C/+85 °C

#### Materials

Contact pin CuSn, gold-plated

#### Mechanical data

Mating cycles  $\geq 1000$

#### Connectable conductors for crimp area

Section 0,25–0,75 mm<sup>2</sup> (AWG 23–18)  
Insulation diameter  $\leq 1,8$  mm

#### Electrical data (at T<sub>amb</sub> 20 °C)

Rated current 5 A (T<sub>amb</sub> 40 °C)  
Rated voltage 250/320 V AC  
Further data see suitable connector housing

#### Associated products

Counterparts  
☞ 036000 ☞ 0364 V109

Accessories  
☞ 0365 ☞ 036500

Harnessing equipment  
☞ CA03 ☞ CAS03 ☞ CAW03  
☞ CM03-01-0369 ☞ CM03-03-0369 ☞ CMW03-01-0369  
☞ CMW03-03-0369 ☞ CZB03-0369 ☞ CZK03

03

0369 V109

Designation	Pole Number	PU (Pieces)	MDQ (Pieces)
0369 V109	1	10000	10000
0369 V109VP18	1	350	1750

**Packaging:**  
on reel