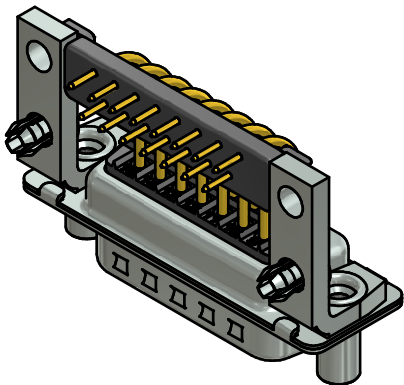
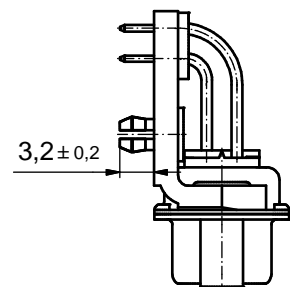
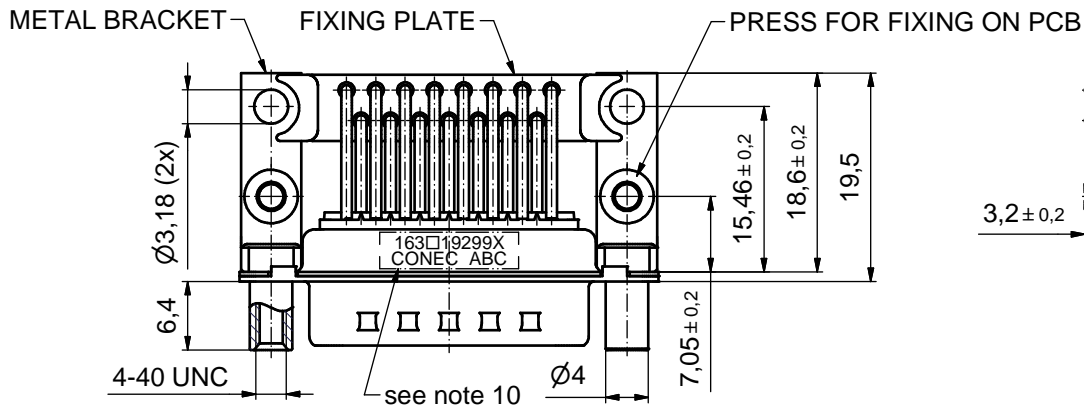
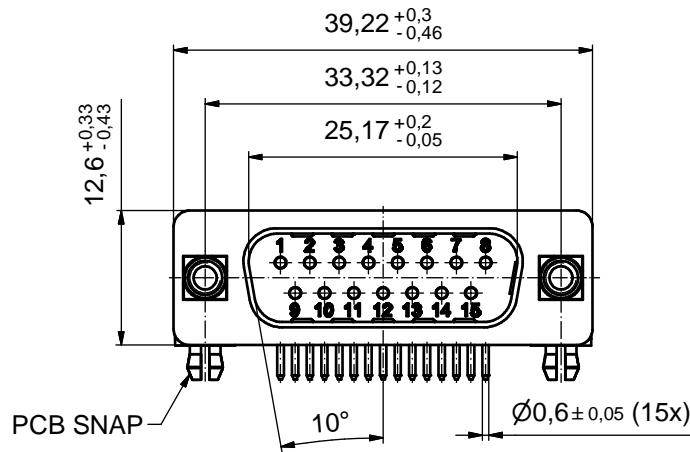
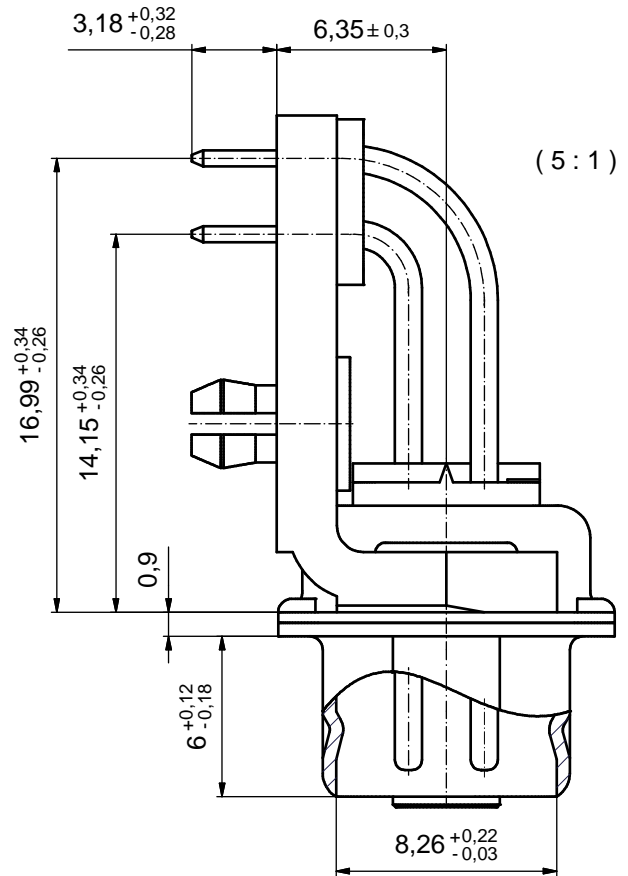


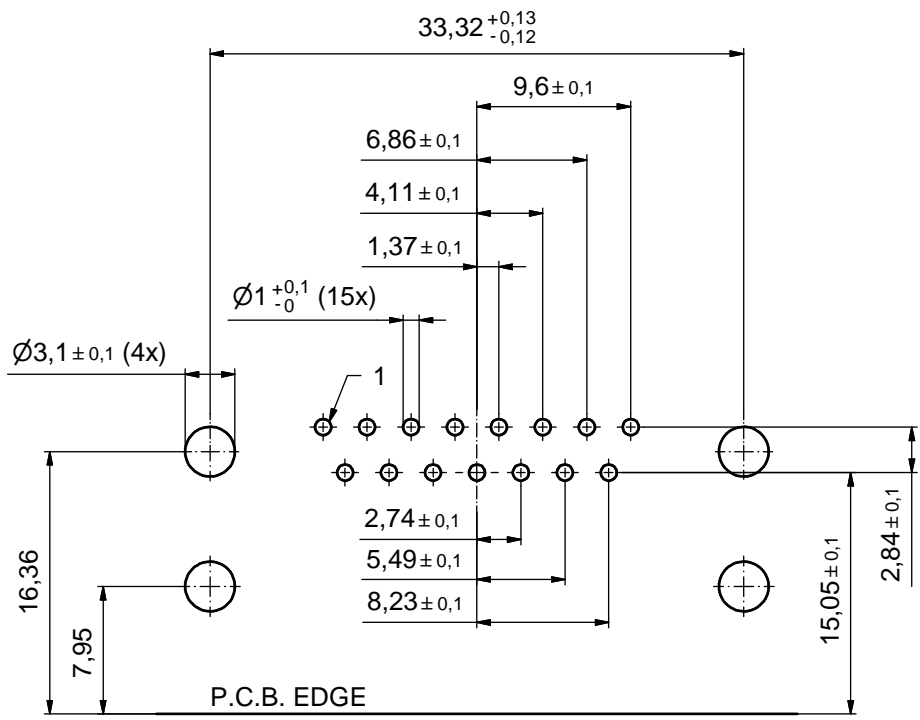
NOTES:

1. METALSHELLS: STEEL; min. 315µm TIN over 40-80µm NICKEL
2. INSULATORS: PBT GF UL 94 V-0; BLACK
3. CONTACTS: COPPER ALLOY; PLATING (SEE PART NO.)
 - PLEASE ADD A for GOLD FLASH over NICKEL (PREFERRED TYPE)
 - PLEASE ADD B for 20µm HARD GOLD over min. 50µm NICKEL
 - PLEASE ADD C for 30µm HARD GOLD over min. 50µm NICKEL
4. METAL BRACKETS: STEEL; min. 320µm TIN over 80µm NICKEL
5. THREADED LOCKS: COPPER ALLOY; min. 200µm TIN over 80µm NICKEL
6. PCB SNAPS: COPPER ALLOY; min. 200µm TIN over 80µm NICKEL
PCB-HOLE: $\varnothing 3,1 \pm 0,1$; PCB THICKNESS 1,6mm
7. FIXING-PLATE: PBT GF UL 94 V-0; BLACK
8. PCB HOLE DRILLINGS ON SHEET 2
9. MAXIMUM TORQUE VALUE FOR THREAD: 6 in.LB
10. CONNECTOR IS PART MARKED: 163□19299X CONEC ABC (see note 3)



Directive 2002/95/EC RoHS compliant

THIS DRAWING MAY NOT BE COPIED OR REPRODUCED IN ANY WAY, AND MAY NOT BE PASSED ON TO A THIRD PARTY WITHOUT WRITTEN PERMISSION. OWNERSHIP AND COPYRIGHT OF CONEC GmbH DO NOT ALTER CAD DRAWING BY HAND				tolerance		dim. in mm	scale: 2:1 (5:1)				
				date			material: see notes				
drawn		23.05.14	name		title: D-SUB MALE 90° 15pos. SOLDER PIN ANGLED 0.590inch threaded lock, metal bracket, fixing plate, snap						
appd.		23.05.14	Lehmenkühler								
norm				dwg no:					DIN-A3		
d-old				16K1A3459					sh: 1		
a Original						part no: 163□19299X (see note 3)					
rev.	description	date	name								



P.C.B. HOLE DRILLINGS
(P.C.B. TOP SIDE)

THIS DRAWING MAY NOT BE COPIED OR REPRODUCED IN ANY WAY, AND MAY NOT BE PASSED ON TO A THIRD PARTY WITHOUT WRITTEN PERMISSION. OWNERSHIP AND COPYRIGHT OF CONEC GmbH DO NOT ALTER CAD DRAWING BY HAND				tolerance		scale: 3:1	
				dim. in mm		material: see sheet 1	
	rev.	description	date	name	date	name	title: P.C.B. HOLE DRILLINGS D-SUB Male 90° 15pos. 0.590inch threaded lock, metal bracket, fixing plate, snap
	a	Original			drawn 23.05.14	Schmidt	
					appd. 23.05.14	Lehmenkühler	
					norm		
					d-old		dwg no:
						16K1A3459	
						DIN-A3	
						sh: 2	
						part no: see sheet 1	

