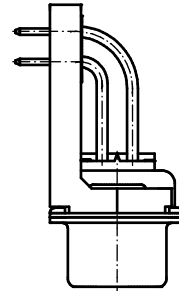
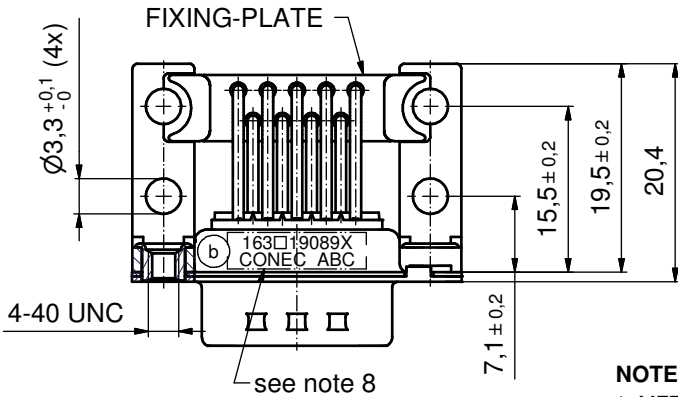
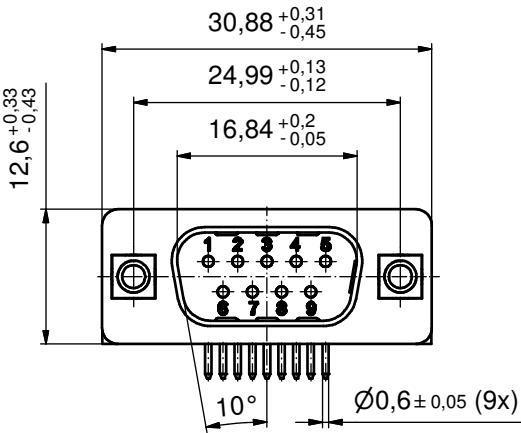
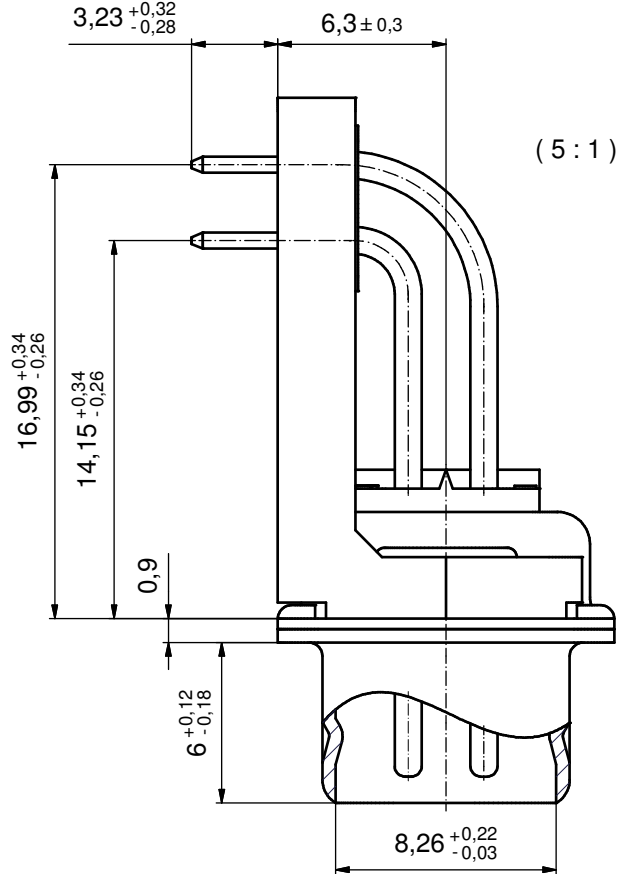
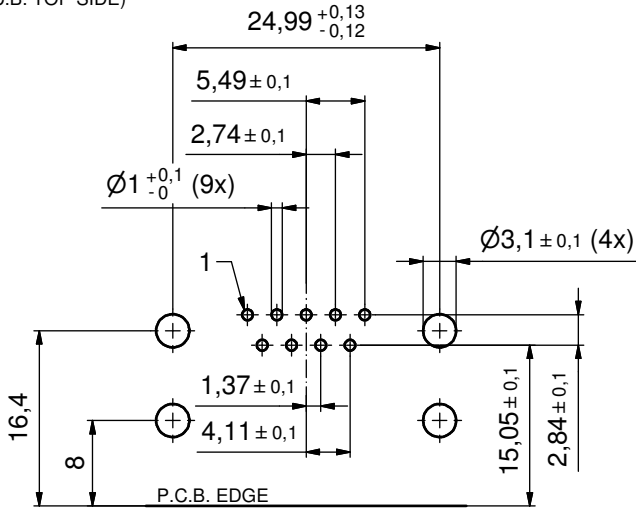
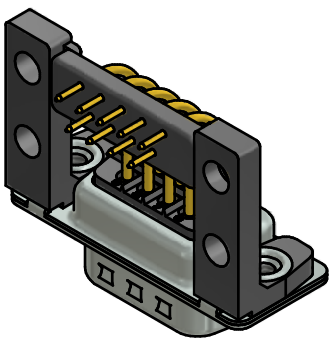


**P.C.B. HOLE DRILLINGS**  
(P.C.B. TOP SIDE)



**NOTES:**

1. METALSHELLS: STEEL; min. 315µm TIN over 40-80µm NICKEL
2. INSULATORS: PBT GF UL 94 V-0; BLACK
3. CONTACTS: COPPER ALLOY; PLATING (SEE PART NO.):
- (b)  PLEASE ADD A for GOLD FLASH over NICKEL
- PLEASE ADD B for 20µm HARD GOLD over min. 50µm NICKEL
- PLEASE ADD C for 30µm HARD GOLD over min. 50µm NICKEL
4. PLASTIC BRACKETS: PBT GF UL 94 V-0; BLACK
5. THREADED INSERTS: COPPER ALLOY; min. 200µm TIN over 80µm NICKEL
6. FIXING-PLATE: PBT GF UL 94 V-0; BLACK
7. MAXIMUM TORQUE VALUE FOR THREAD: 6 in.LB
8. CONNECTOR IS PART MARKED: **163 19089X CONEC ABC**



Directive 2002/95/EC RoHS compliant

THIS DRAWING MAY NOT BE COPIED OR REPRODUCED IN ANY WAY, AND MAY NOT BE PASSED ON TO A THIRD PARTY WITHOUT WRITTEN PERMISSION. OWNERSHIP AND COPYRIGHT OF CONEC GmbH				tolerance		dim. in mm	scale:	2:1 (5:1)
				date			material:	
DO NOT ALTER CAD DRAWING BY HAND				drawn	29.11.10	Schmidt	title: <b>D-SUB MALE 90°</b> 9pos. SOLDER PIN ANGLED 0.590inch threaded insert, plastic bracket, fixing plate	
				appd.	29.11.10	Fischer		
3 x b A5129 12.03.2014 K.H.				norm				
				a	Original			sh: 1
rev.	description	date	name	<b>CONEC</b>		part no: (b) 163 19089X (see note 3)		