

6

5

4

3

2

1

**MATERIAL AND FINISH:**

Insulator: Nylon 66, black, UL-94V-1 rated  
Contacts: Brass, Tin plated

**ELECTRICAL SPECIFICATIONS:**

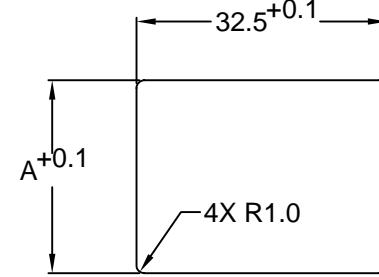
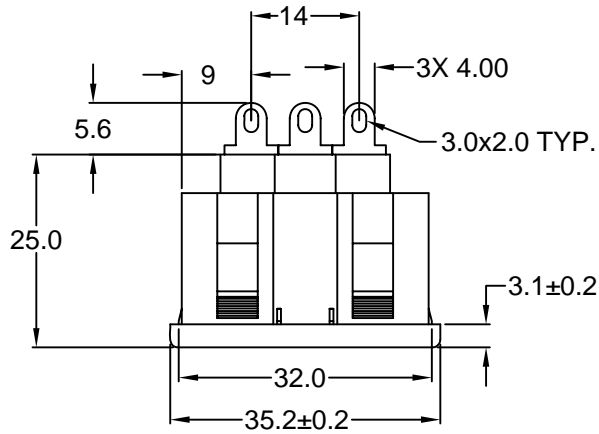
Current rating: 10 A  
Voltage rating: 250 VAC  
Current rating: 15 A  
Voltage rating: 250 VAC  
Insulation resistance: 100 Mohm min. at 500 VDC  
Dielectric withstanding voltage: 2000 VAC for one minute



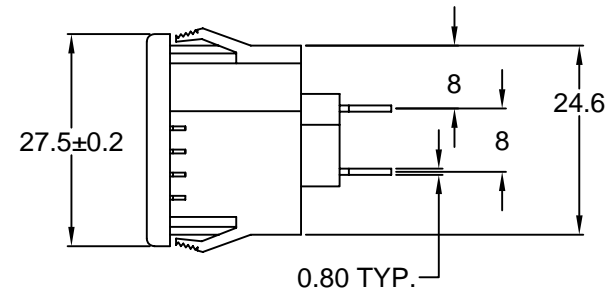
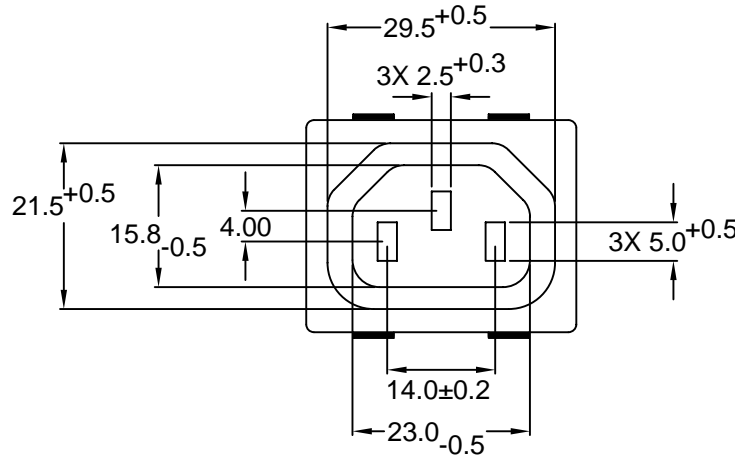
Operating Temperature: 70°C



**NOTES:**  
Recommended panel thickness  
0.8mm max. to 3.0mm max.



RECOMMENDED  
PANEL CUTOUT



REV	DATE	CHANGE	CHNG		CHK		APPR	
			GO	TD	GO	TD	PB	PB
A	10/23/01	REVISED / REDRAWN						
B	11/24/04	ADD 14.0, 9.0, 8.3, 8.2 DIM						
C	12/2/04	CHG REF DIM TO DIM						

PANEL THICKNESS	A
0.8 - 1.0	25.4
1.0 - 1.2	25.5
1.2 - 1.5	25.6
2.0	25.7
3.0	25.7

TOLERANCE UNLESS OTHERWISE SPECIFIED	
X	± 1
X.X	± 0.4
X.XX	± 0.20

DRAWN BY	BP	DATE:	3/8/00
CHECK BY	TD	DATE:	10/24/01
APPR BY	PB	DATE:	10/25/01

**Power Dynamics, Inc.**  
Phone: 973 560-0019 Whippany, New Jersey Fax: 973 560-0076

PART: UVIVERSAL IEC 60320 C13 APPL. OUTLET;  
SOLDER TERMINALS, SNAP-IN

**PD-43R04-11**

PART #: PD-43R04-11

SIZE: A

SCALE: NTS

ALL DIMENSIONS FOR REFERENCE ONLY  
DIMENSIONS ARE IN MILLIMETERS

SHEET 1 of 1

REV: C