

# TO-220 Plastic-Encapsulate Diodes

## Schottky Rectifier

### Features

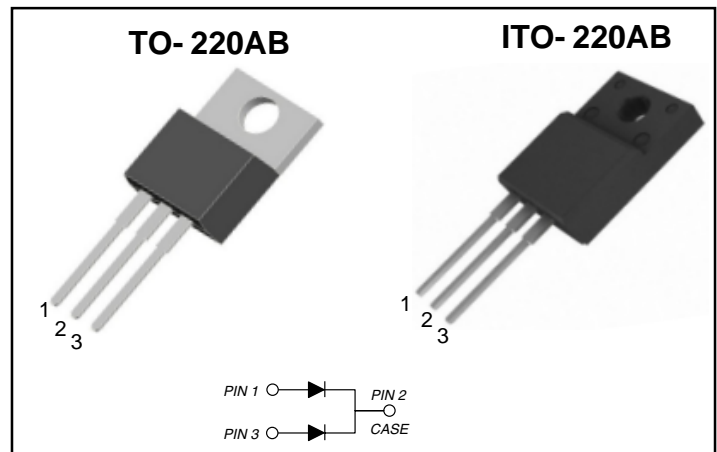
- $I_o$  20A
- $V_{RRM}$  300V
- High surge current capability
- Low  $V_f$

### Applications

- Rectifier

### Marking

- MBR20300L(F)CT



### Limiting Values (Absolute Maximum Rating)

Item	Symbol	Unit	Test Conditions	MBR20300L(F)CT
Repetitive Peak Reverse Voltage	$V_{RRM}$	V		300
Average Rectified Output Current	$I_o$	A	60HZ Half-sine wave, Resistance load, $T_c$ (Fig.1)	20.0
Surge(Non-repetitive)Forward Current	$I_{FSM}$	A	60Hz Half-sine wave , 1 cycle , $T_a = 25^\circ C$	200
Junction Temperature	$T_J$	$^\circ C$		-55~+150
Storage Temperature	$T_{STG}$	$^\circ C$		-55 ~ +150

### Electrical Characteristics ( $T_a = 25^\circ C$ Unless otherwise specified)

Item	Symbol	Unit	Test Condition	MBR20300L(F)CT	
Peak Forward Voltage	$V_F$	V	$I_F = 10.0A$	0.89	
Peak Reverse Current	$I_{RRM1}$	mA	$V_{RM} = V_{RRM}$	$T_a = 25^\circ C$	0.1
	$I_{RRM2}$			$T_a = 125^\circ C$	5
Thermal Resistance(Typical)	$R_{\theta J-C}$	$^\circ C/W$	Between junction and case	3.0 <sup>1)</sup>	

### Notes:

Thermal resistance from junction to case per leg with heat-sink size of 2"×3"×0.25" AL-plate

# Typical Characteristics

FIG.1: FORWARD CURRENT DERATING CURVE

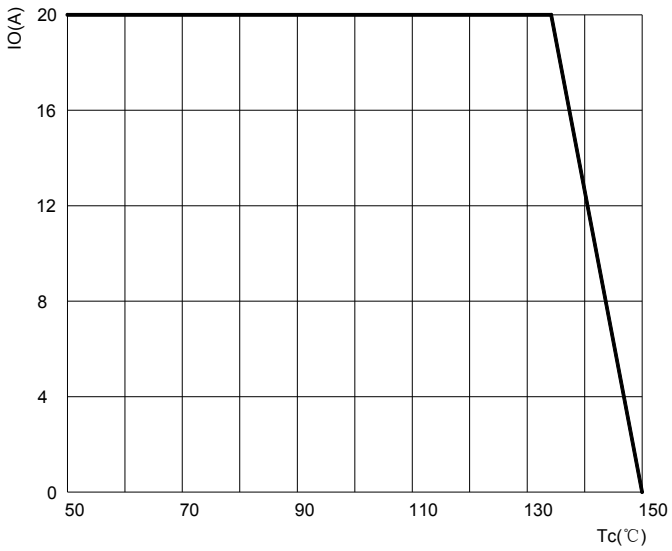


FIG2: Surge Forward Current Capadity

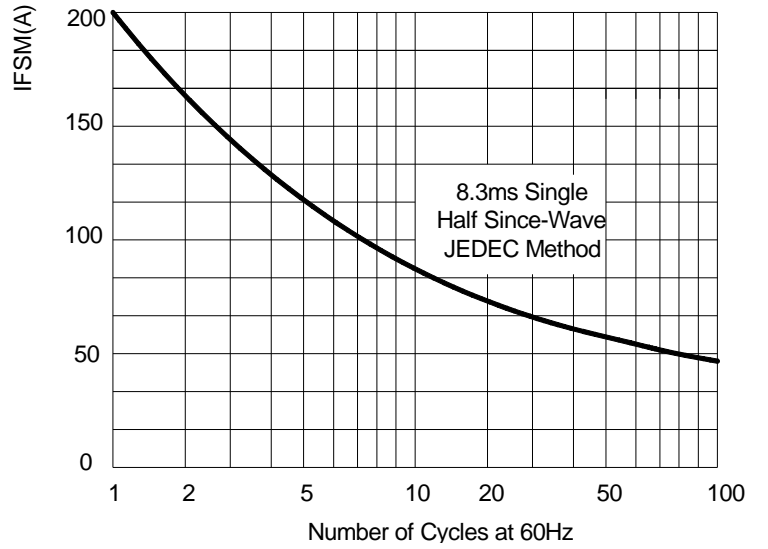


FIG3: Instantaneous Forward Voltage

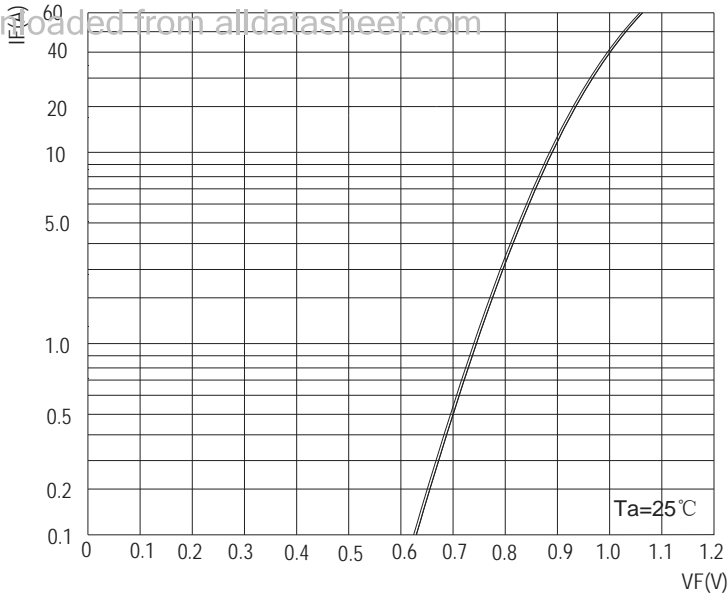
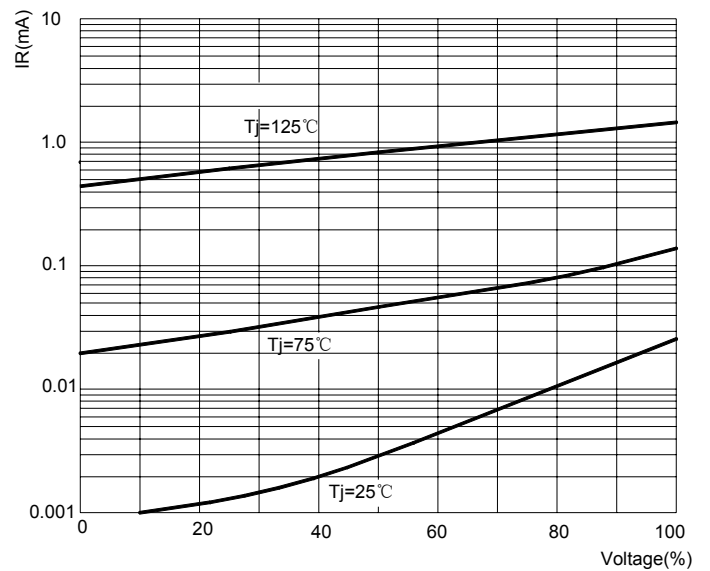
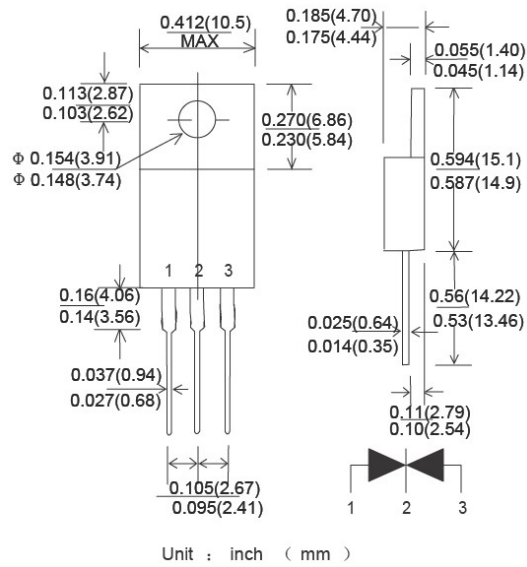


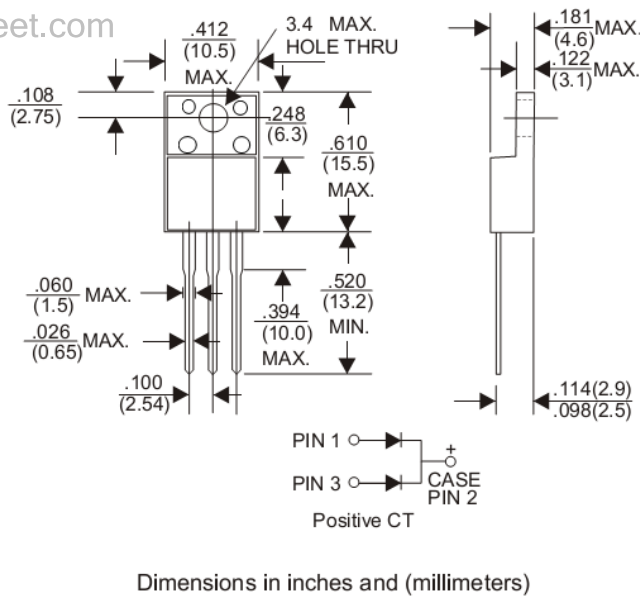
FIG.4: TYPICAL REVERSE CHARACTERISTICS



TO-220AB



ITO-220AB



NOTICE

JSHD reserve the right to make modifications, enhancements, improvements, corrections or other changes without further notice to any product herein. JSHD does not assume any liability arising out of the application or use of any product described herein.