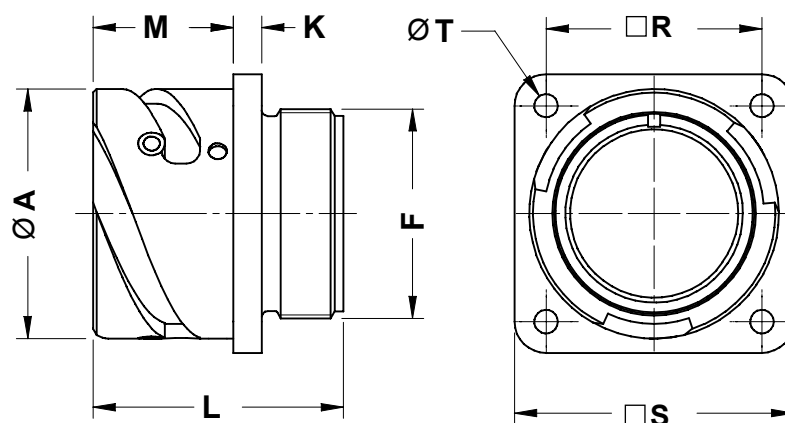
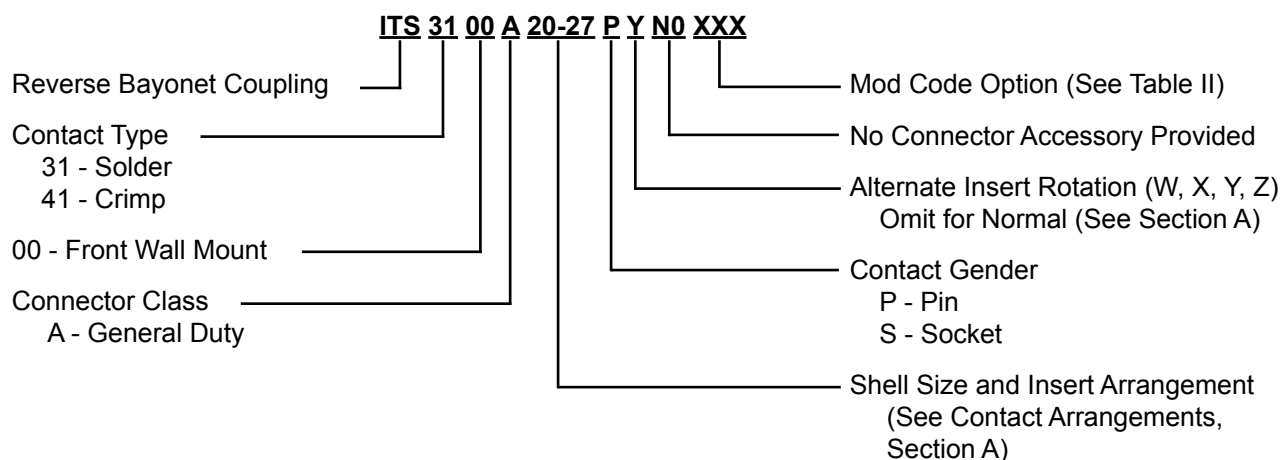


ITS 3100 A (N0) and ITS 4100 A (N0) Front Panel Mount Square Flange Receptacle with Backend Connector Accessory Mounting Threads



Application Notes:

1. Front panel mount square flange receptacle with rear threads for attachment of various backend connector accessories. Through mounting holes.
2. Connector Class "A" (general duty).
3. Standard materials configuration consists of aluminum alloy. For platings, see TABLE II finish options.
4. Standard contact material consists of copper alloy with silver plating or gold plating.
5. A broad range of other front and rear connector accessories are available. See our website and/or contact the factory for complete information.
6. Standard insert material is synthetic rubber.
7. Add "FR" prefix to front of part number to specify fire resistant insert elastomers.

**ITS 3100 A (N0) and ITS 4100 A (N0)
Front Panel Mount Square Flange Receptacle
with Backend Connector Accessory Mounting Threads**



TABLE I: DIMENSIONS

Shell size	ØA +0 -0.1	K ±0.2	L Max.	M +0.2 -0	R ±0.1	S +0.2	ØT +0.1 -0	F thread
10 SL	18.2	2.8	24.7	14.3	18.25	25.4	3.2	0.6250 - 24UNEF
14 S	24.5	3.3	24.9	14.5	23.00	30.4	3.2	0.7500 - 20UNEF
16 S	27.2	3.3	24.9	14.5	24.60	32.5	3.2	0.8750 - 20UNEF
16	27.2	3.3	33.9	19.1	24.60	32.5	3.2	0.8750 - 20UNEF
18	30.7	4.0	34.3	19.1	27.00	35.0	3.2	1.0000 - 20UNEF
20	34.0	4.0	34.2	19.1	29.40	38.0	3.2	1.1250 - 18UNEF
22	37.3	4.0	34.3	19.6	31.75	41.0	3.2	1.2500 - 18UNEF
24	40.9	4.0	35.8	20.6	34.90	44.5	3.7	1.3750 - 18UNEF
28	46.7	4.0	35.8	20.7	39.70	50.9	3.7	1.6250 - 18UNEF
32	53.4	4.0	37.4	22.3	44.45	57.0	4.3	1.8750 - 16UN
36	59.6	4.0	37.4	22.3	49.20	63.5	4.3	2.0625 - 16UN
40	65.5	4.0	37.4	22.3	55.55	69.9	4.3	2.3125 - 16UN

B

TABLE II: MODIFICATION CODES

CONTACT OPTIONS	
Sym	Description
B0	Connector Less Contacts
B1	Connector with Gold Plated Contacts
Omit for standard version (Silver plated)	
FINISH OPTIONS	
Sym	Description and RoHS compliant (*)
F2	Bright Nickel Plating (*)
F6	Black Electrodeposited Paint (*)
F7	Black Zn-Co Plating (*)
F8	Olive Drab Zn-Co Plating
F11	Electroless Nickel (*)
Omit for standard version (Cadmium Olive Drab Finish)	